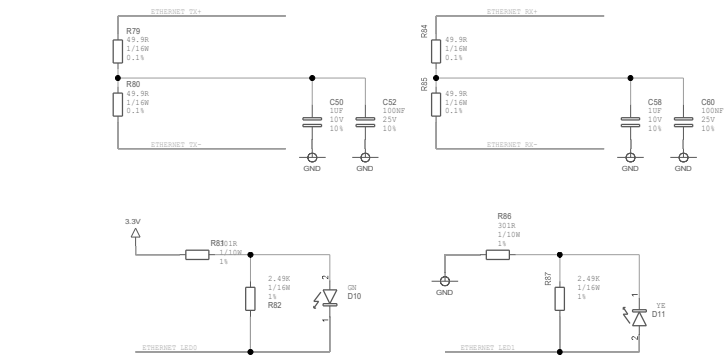


PLACE CRYSTAL CLOSE TO PHY . NO CLOSING SIGNAL UNDER XO,XI NO PLANE DISCONTINUITY ALLOWED.



1. TRACES SHOULD BE KEPT SHORT AS POSSIBLE.
2. STUBS SHOULD BE AVOIDED ON ALL SIGNAL TRACES, ESPECIALLY DIFFERENTIAL SIGNAL PAIRS.
3. ENSURE A SOLID RETURN PATH BENEATH ALL SIGNAL TRACES. THIS RETURN PATH CAN BE A CONTINUOUS GROUND OR DC POWER PLANE
4. THERE MUST BE NO METAL LAYER RUNNING BENEATH THE TRANSFORMER

### ETHERNET

