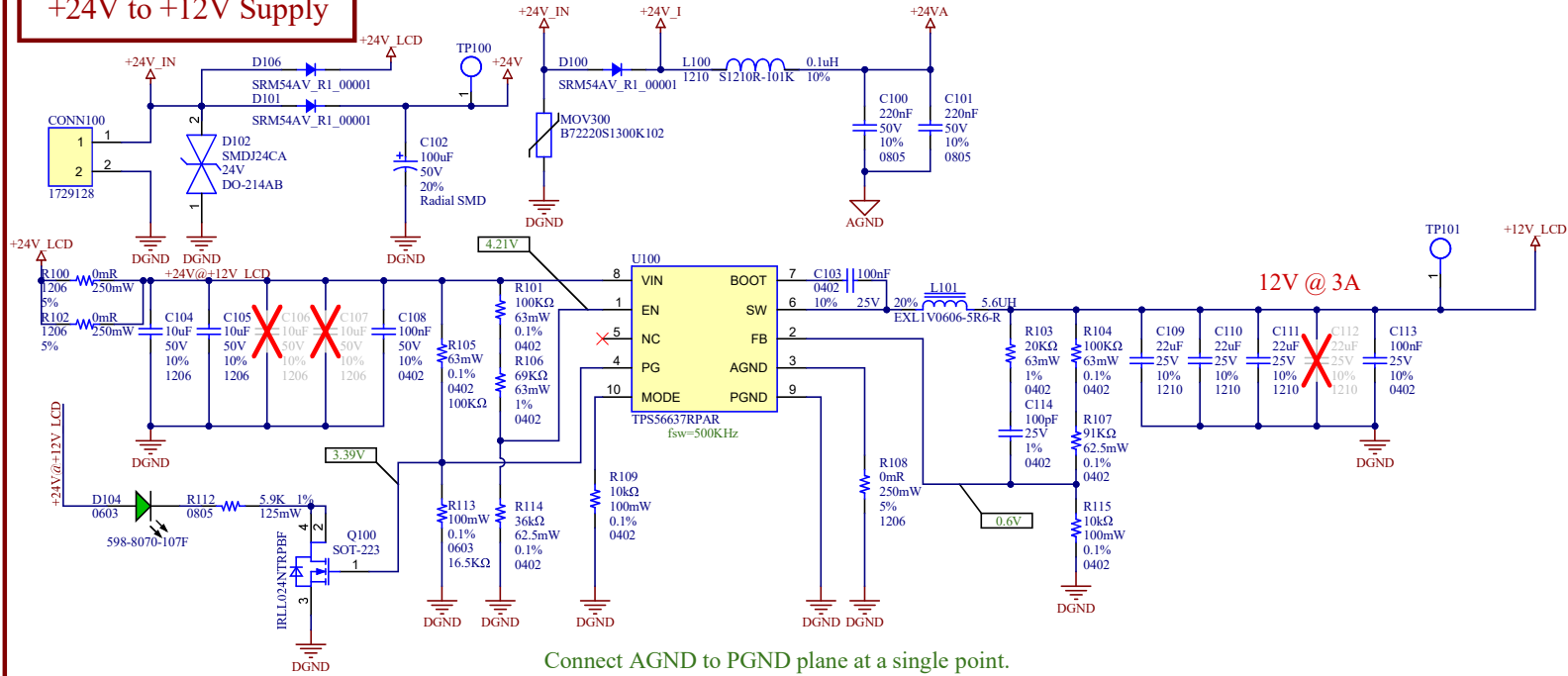
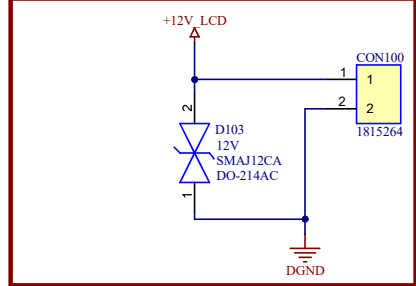


### +24V to +12V Supply

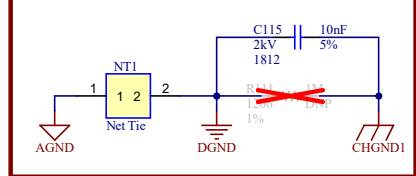


Connect AGND to PGND plane at a single point.

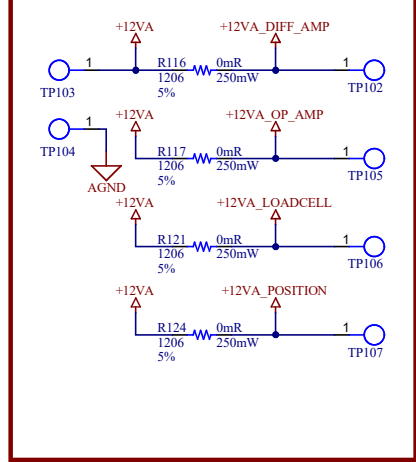
### LCD Connector



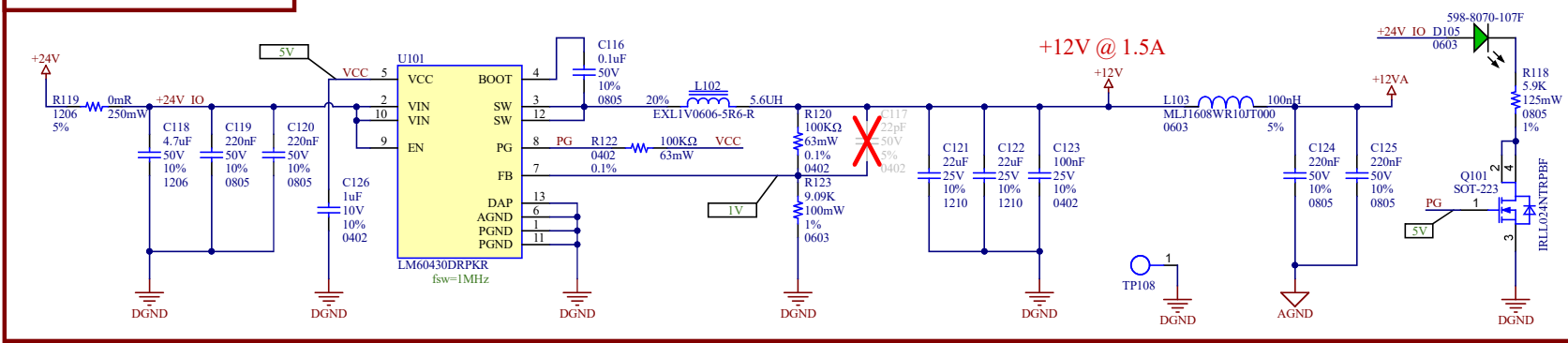
### Grounding



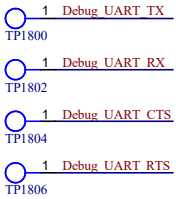
### TP's



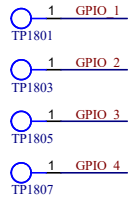
### +24V to +12V Supply



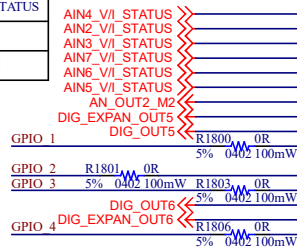
### DEBUG UART



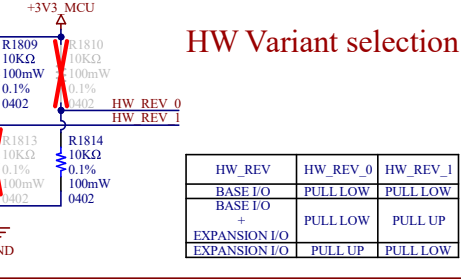
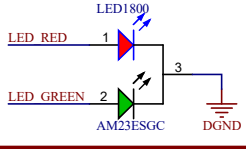
### GPIO'S



	AIN#_V/I_STATUS
CURRENT MODE	LOW
VOLTAGE MODE	HIGH

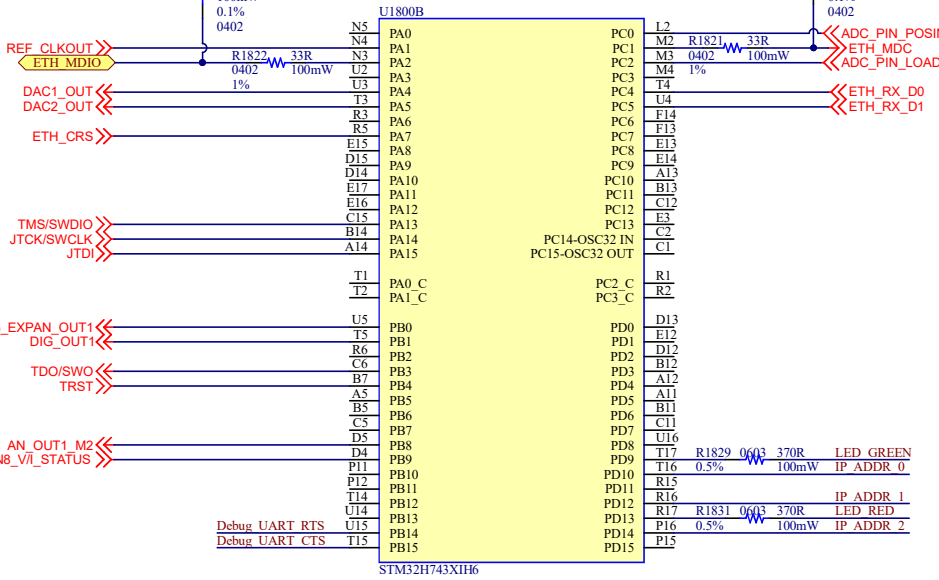
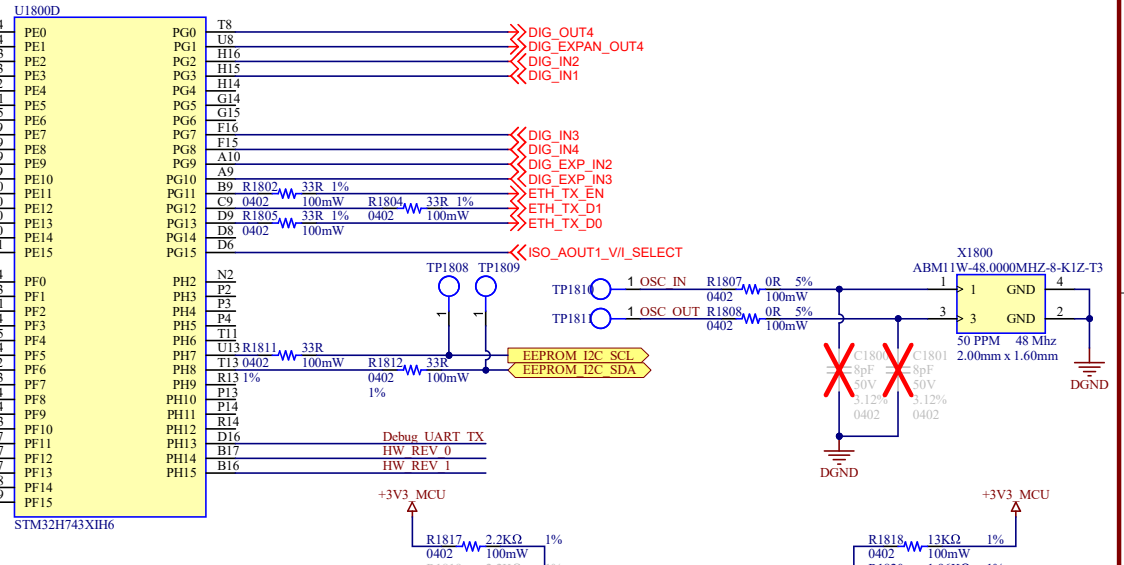


### STATUS LED'S

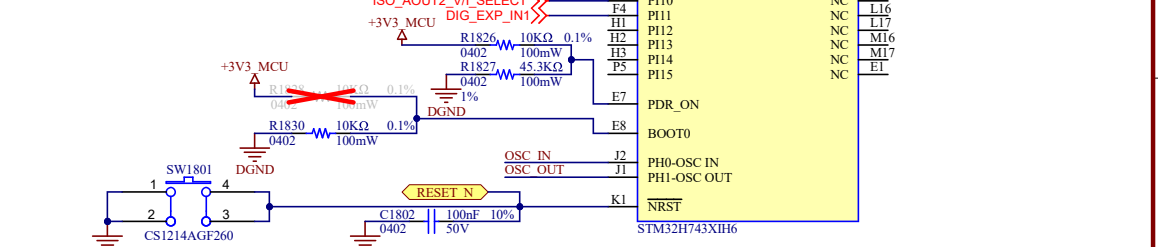
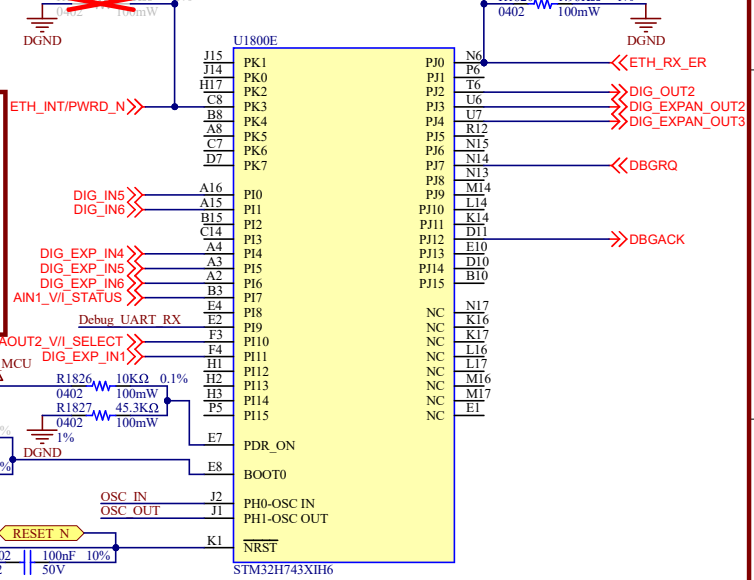
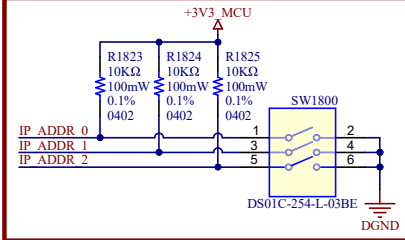


### HW Variant selection

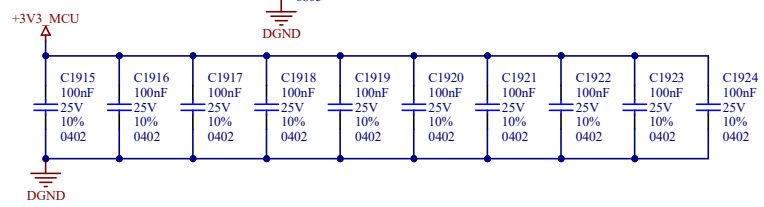
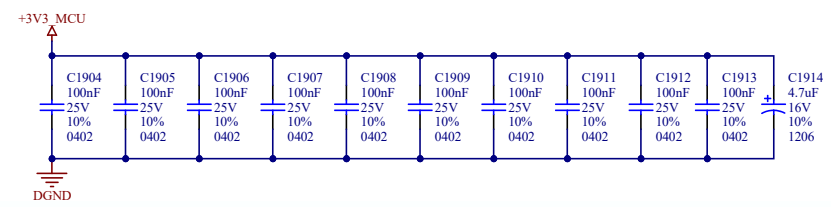
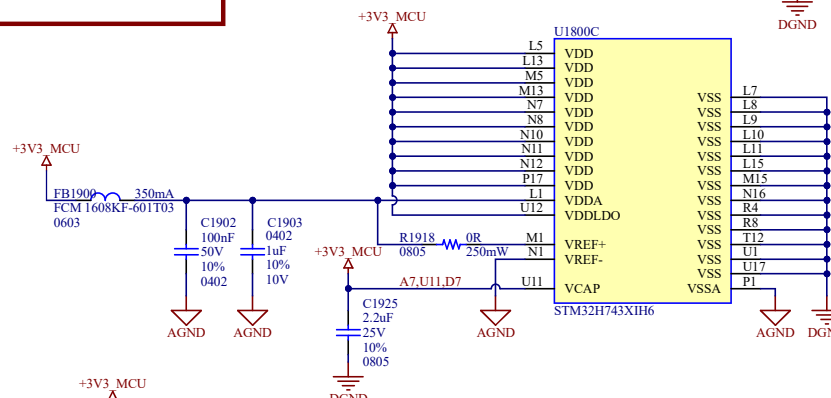
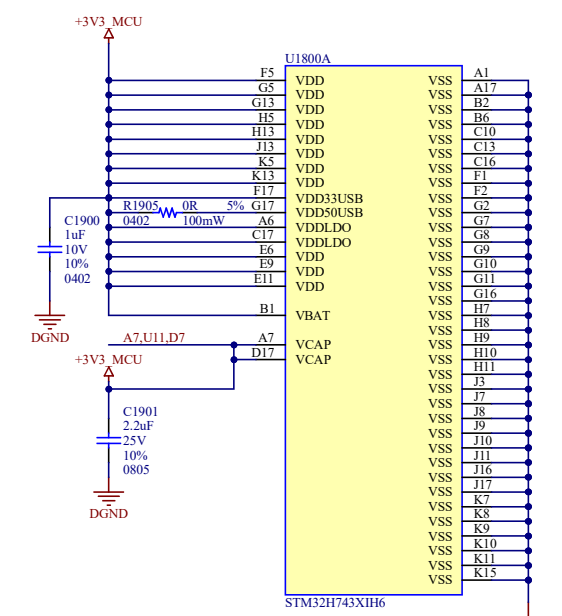
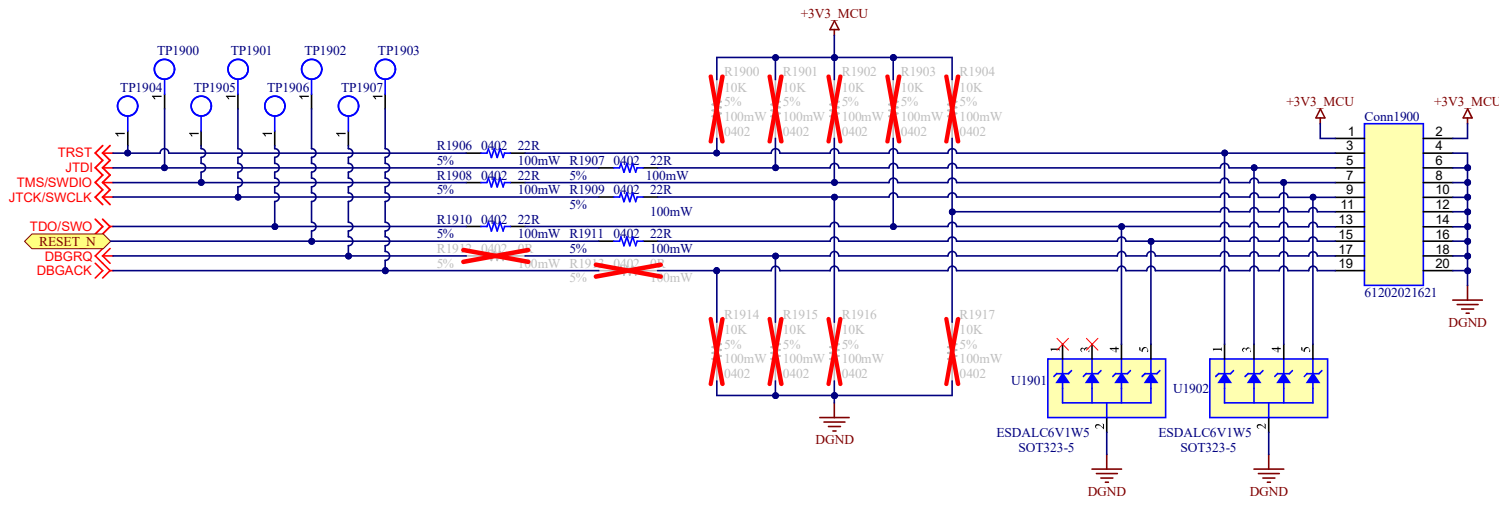
HW_REV	HW_REV_0	HW_REV_1
BASE I/O	PULL LOW	PULL LOW
BASE I/O + EXPANSION I/O	PULL LOW	PULL UP
EXPANSION I/O	PULL UP	PULL LOW



### IP Address Setting



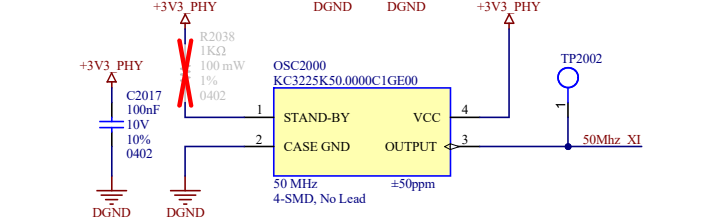
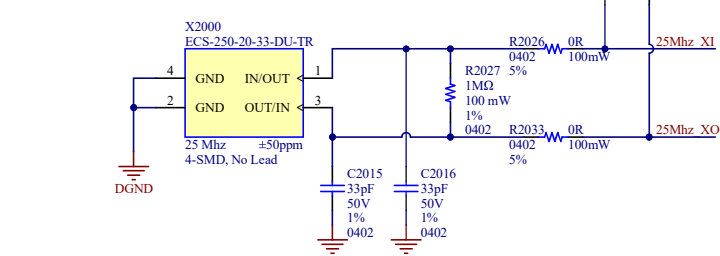
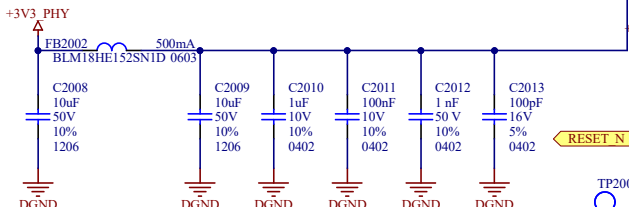
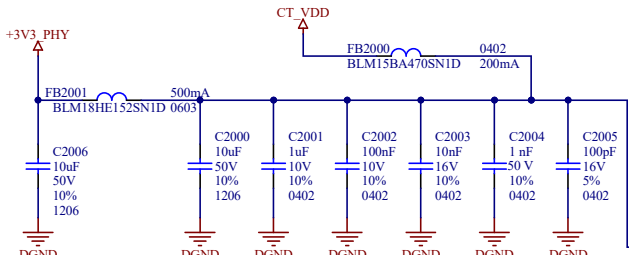
# MCU JTAG INTERFACE



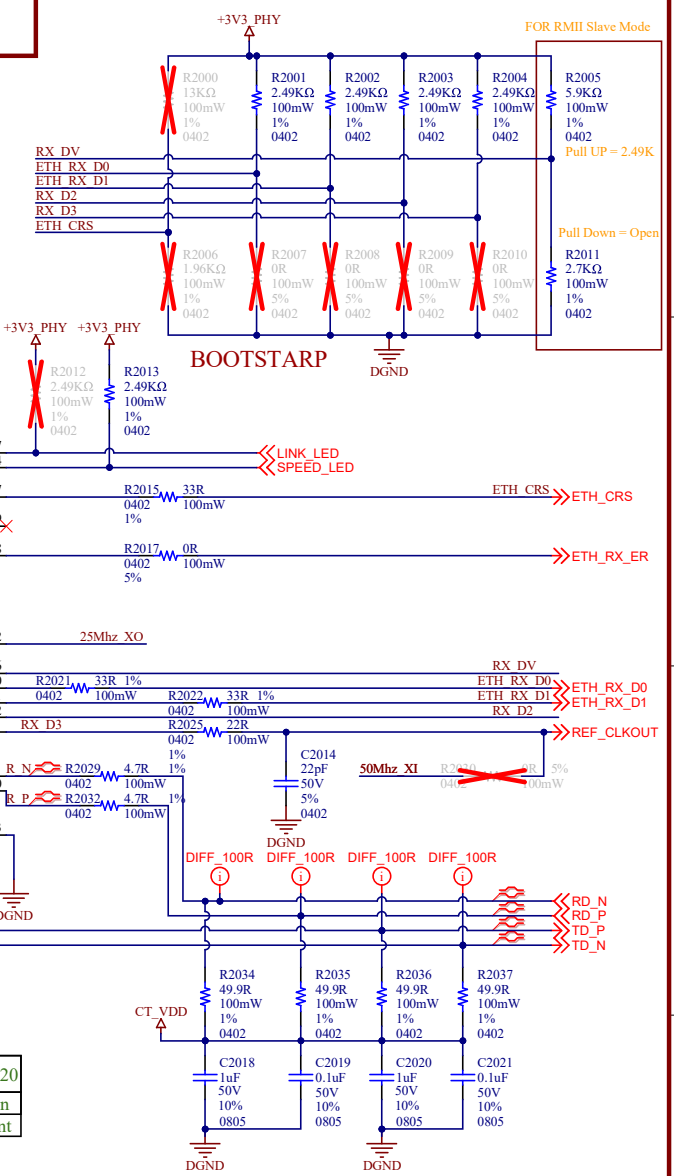
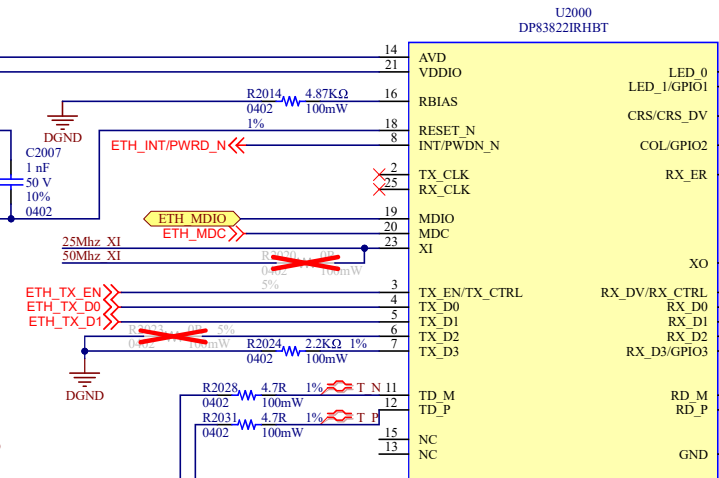
# DP83822IRHBT (ETHERNET) INTERFACE

RX_DV	RMII MODE ENABLE
RX_D0	PHY_AD1='1' & AN_1='1'
RX_D1	PHY_AD2='1'
RX_D2	PHY_AD3='1'
RX_D3	PHY_AD4='1' & Auto-Negotiation Enable

Mode 3 for RMII 25 Ref Clock



Note: 50 Mhz Oscillator Used for PHY Slave Mode



RMII Mode	R2025	R2030	R2020
Master	Mount	Open	Open
Slave	Open	Mount	Mount

# RJ45 CONNECTOR INTERFACE

