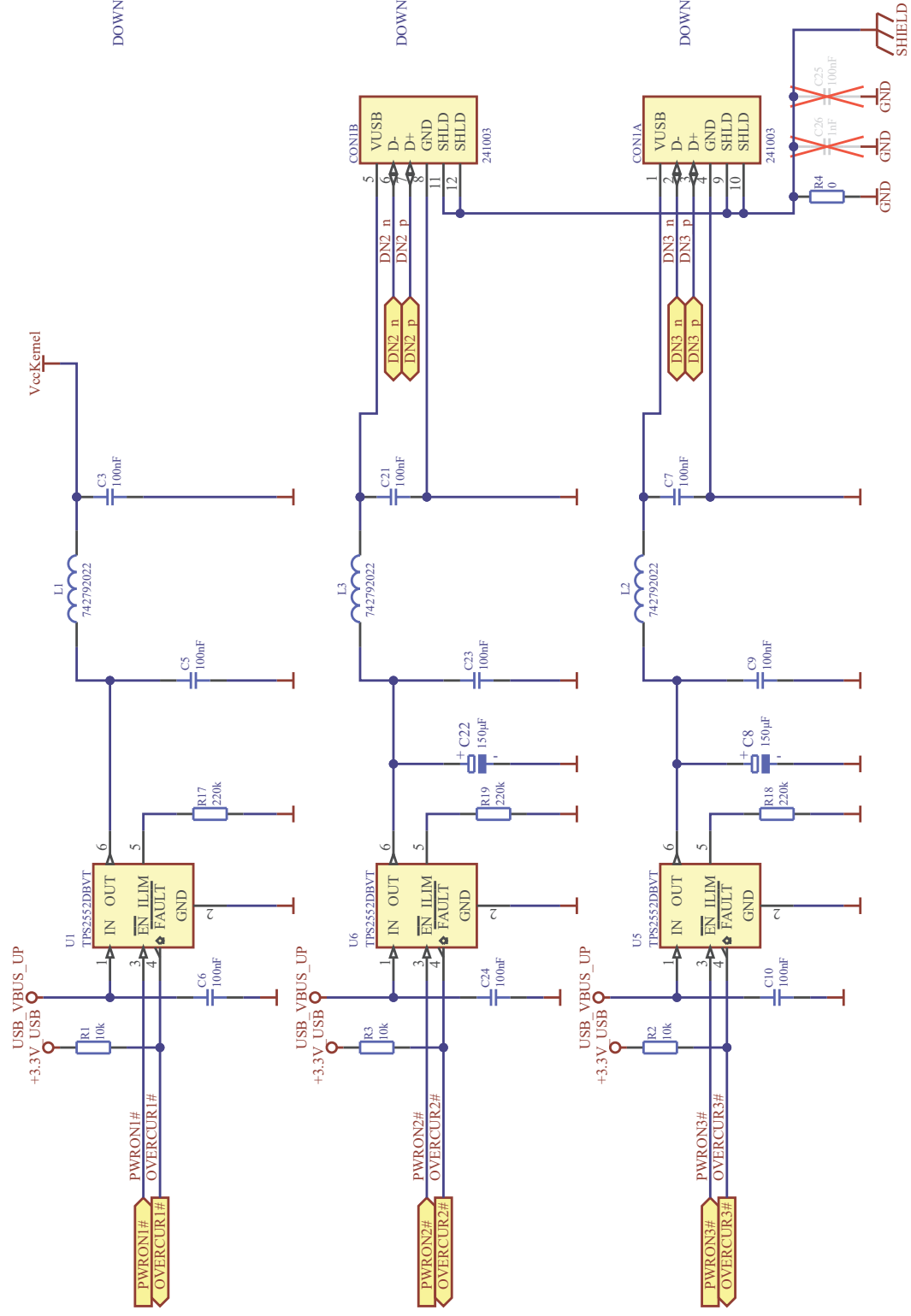


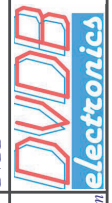
DOWNSTREAM 1 -> Keyboard

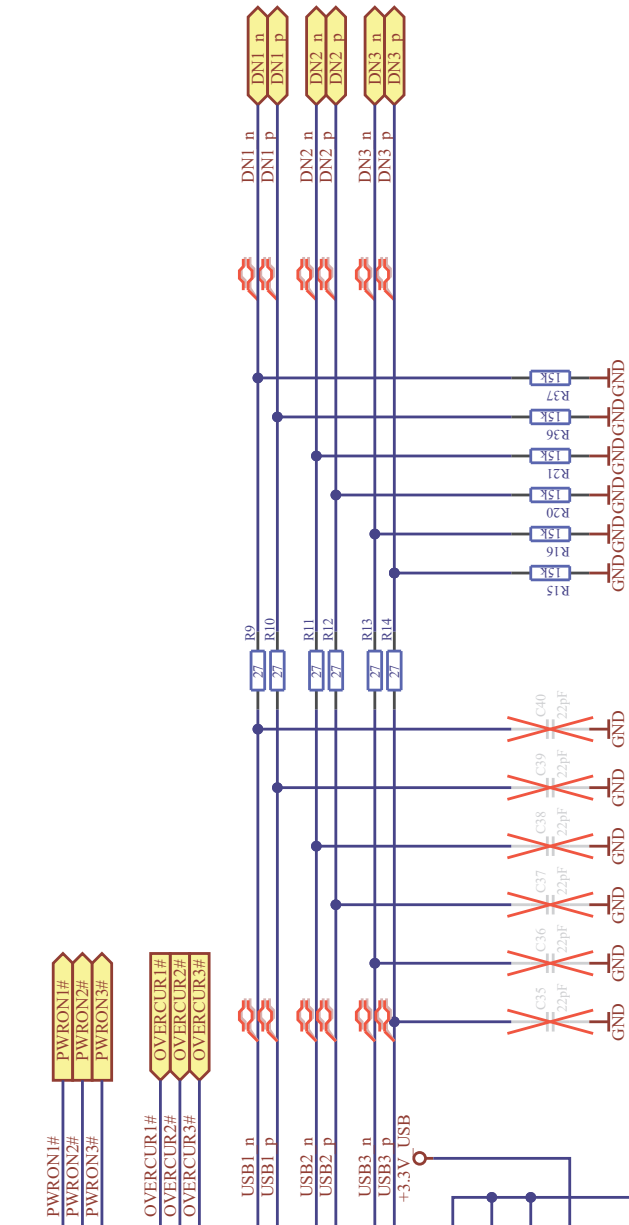
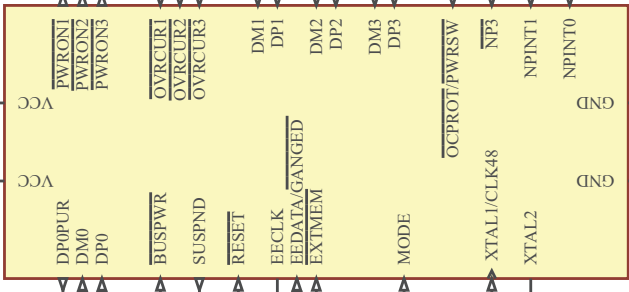
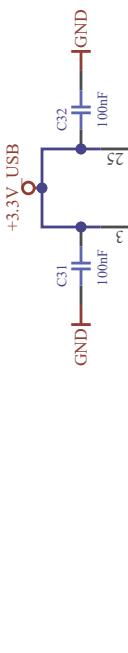
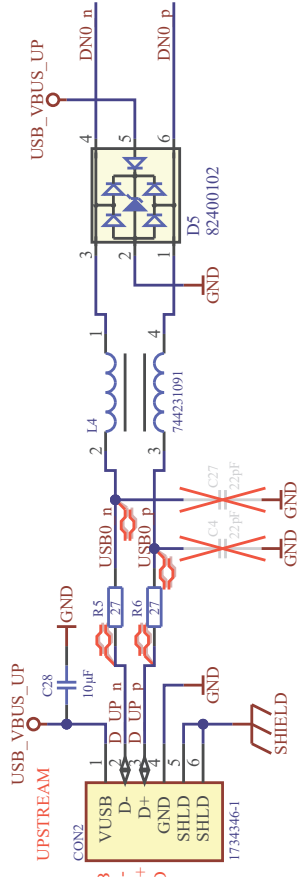
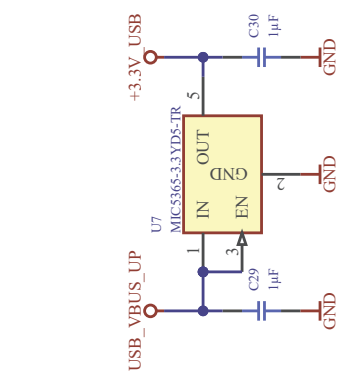
DOWNSTREAM 2

DOWNSTREAM 3



Description:		USB Connect	
Created	24/05/2022	Date	24/05/2022
Checked	08/09/2022	Date	08/09/2022
Released	08/09/2022	Date	08/09/2022
Project:		MAT20036	
File:		MAT20036_USB connect.SchDoc	
Format:	A3	Version:	3.00
Variant:	Prototypes		
Changed:	8/09/2022	Page	2 of 4
SVN Rev: Not in version control		SVN Folder Rev: Not in version control	





Description:		Name	
USB Hub		DV/DB	
Project:		Created	
MAT20036		24/05/2022	
File: MAT20036_USB hub.SchDoc		Checked	
Liersveenweg 304		08/09/2022	
B-3130 Bestijndijk		Released	
+32 (470) 246115		08/09/2022	
Format: A3		Variant: Prototypes	
Version: 3.00		Page 4 of 4	
Changed: 8/09/2022		DVB-electronics bvba	
SVN Rev: Not in version control		Liersveenweg 304	
SVN Folder Rev: Not in version control		B-3130 Bestijndijk	
		+32 (470) 246115	
		danny@dvb-electronics.com	

