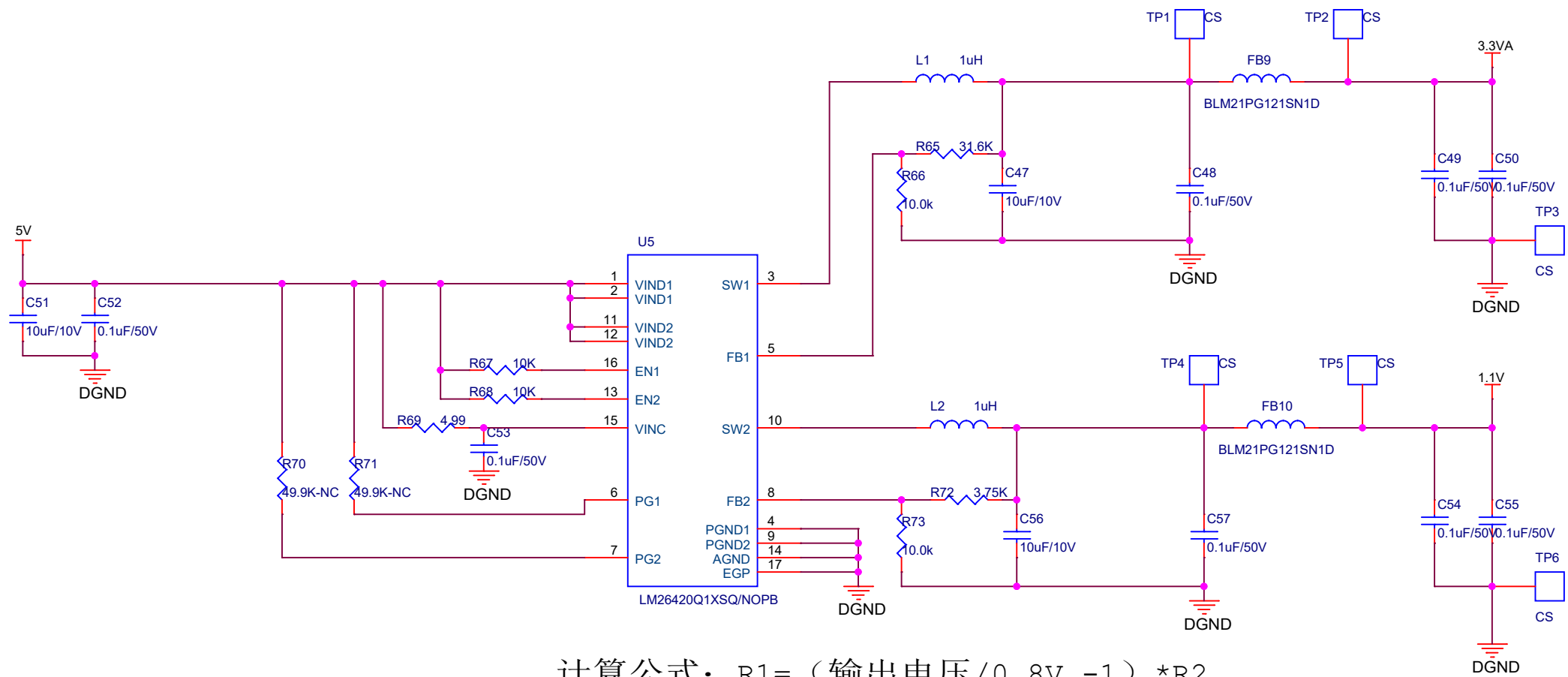
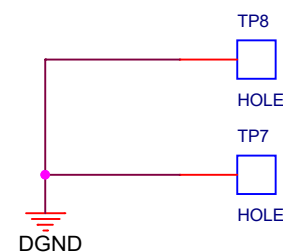
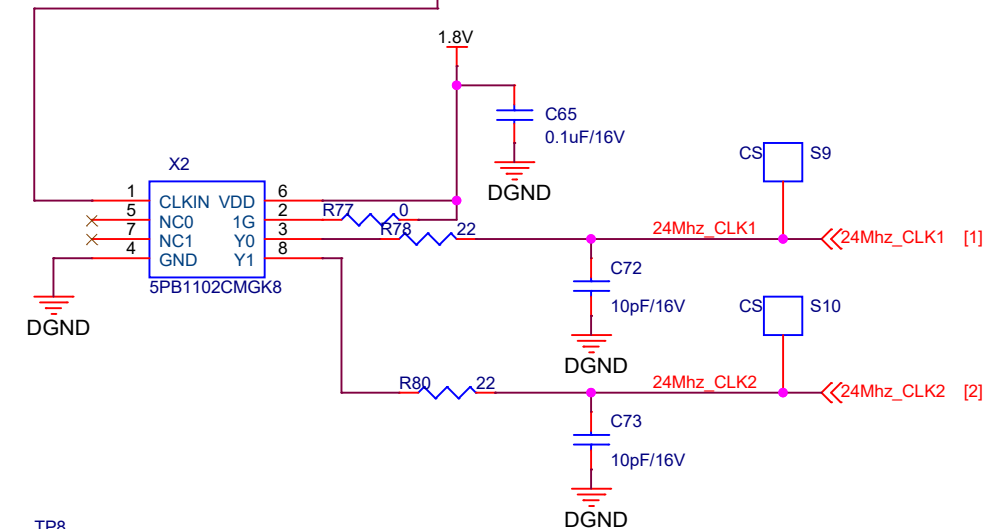
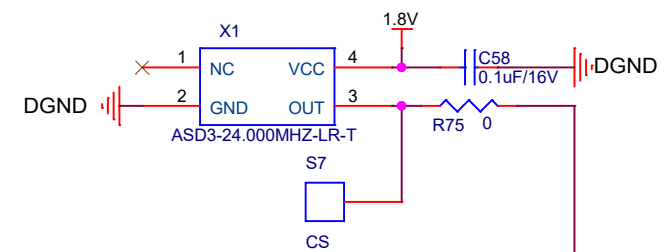
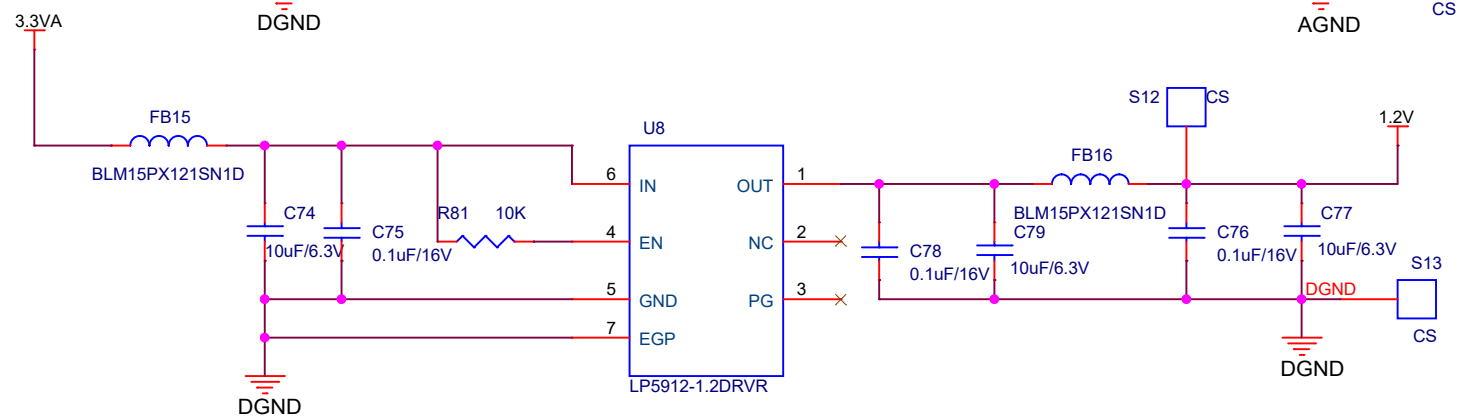
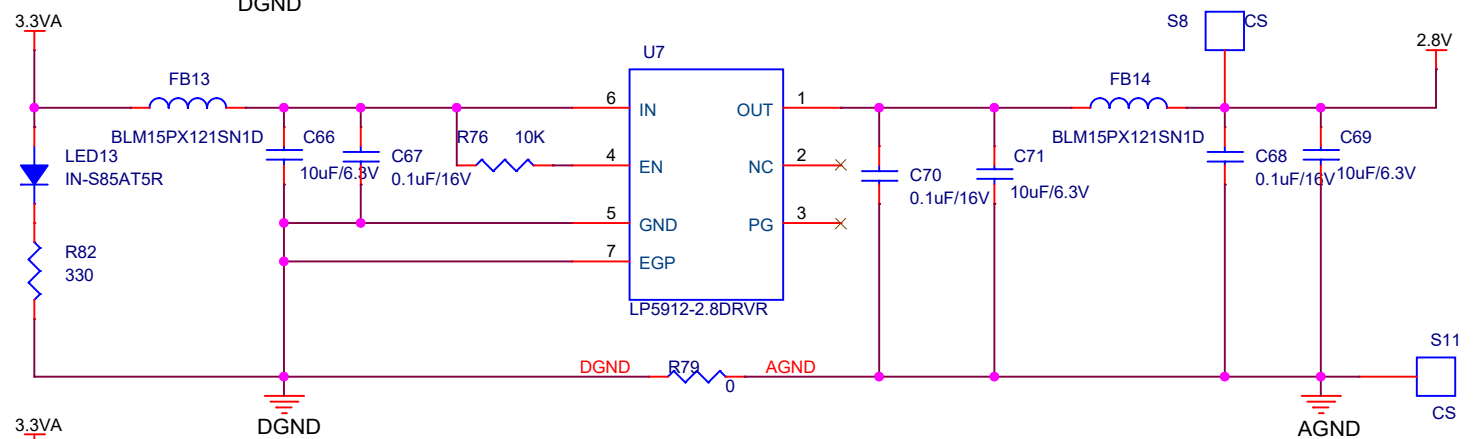
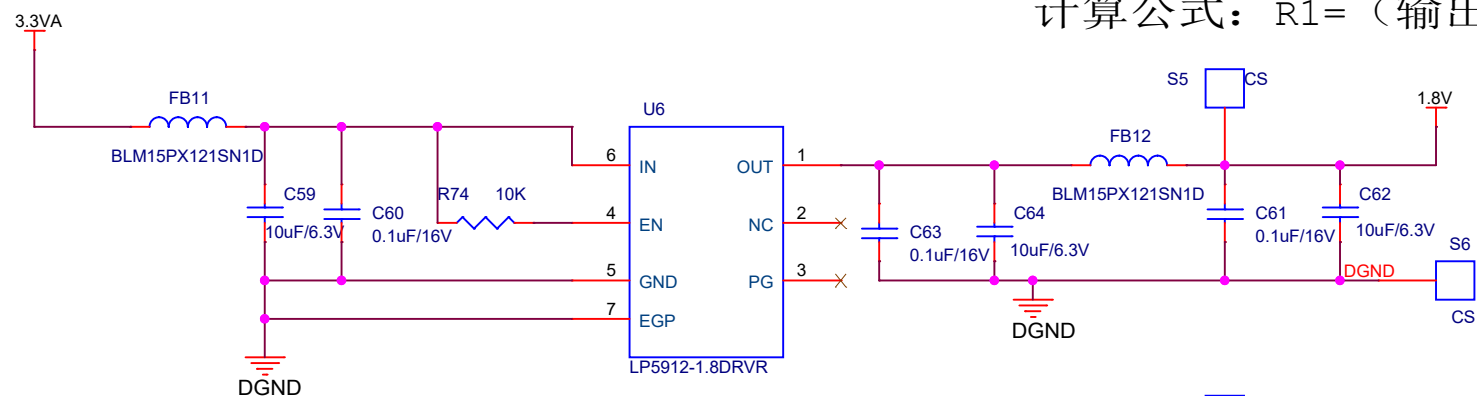


Title		
Signal reception transmitted board		
Size	Document Number	Rev
A3		1
Date:	Thursday, August 04, 2022	Sheet 1 of 3





计算公式:  $R1 = (\text{输出电压} / 0.8V - 1) * R2$



Title			<Title>
Size	Document Number	Rev	
A3	<Doc>	<RevC>	
Date:	Monday, March 14, 2022	Sheet	3 of 3