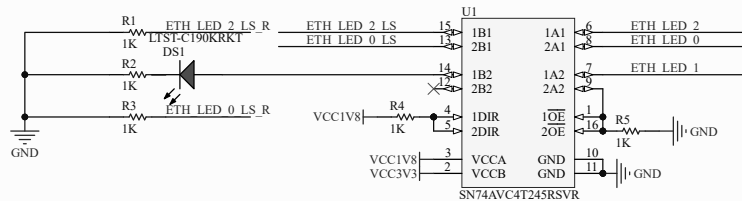
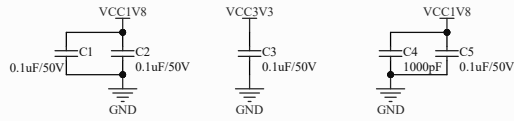
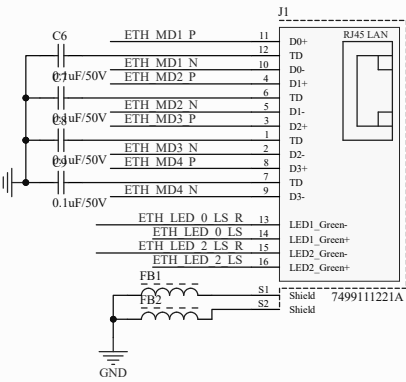


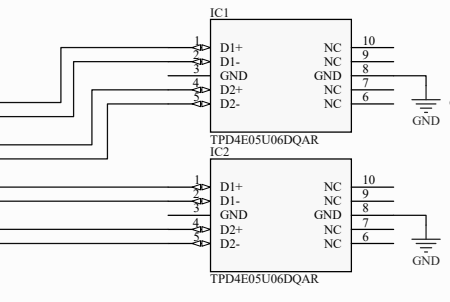
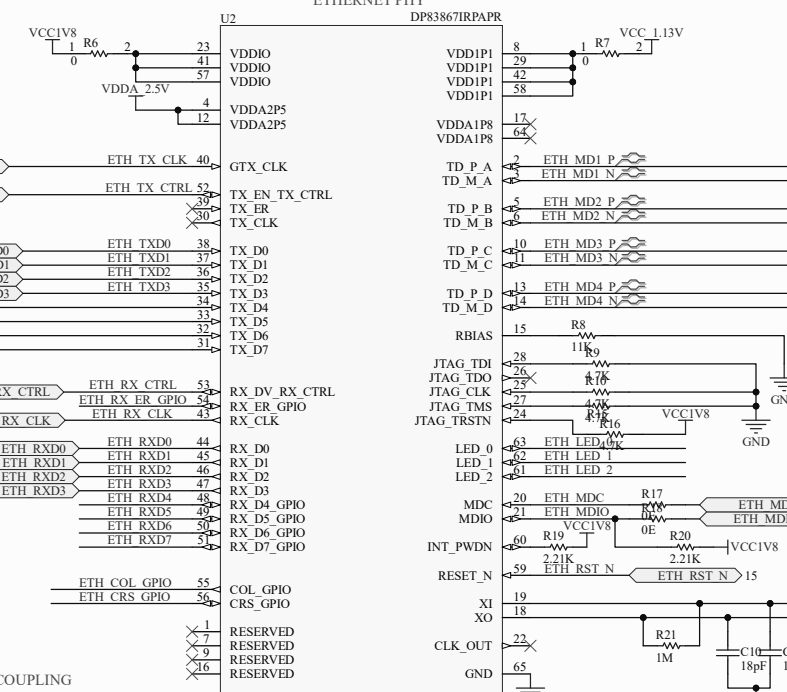
ETHERNET CONNECTOR DECOUPLING



ETHERNET CONNECTOR

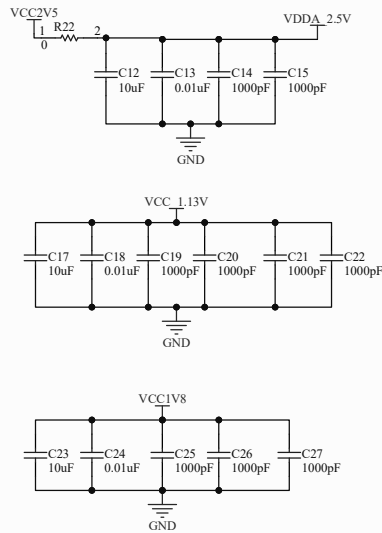


ETHERNET PHY

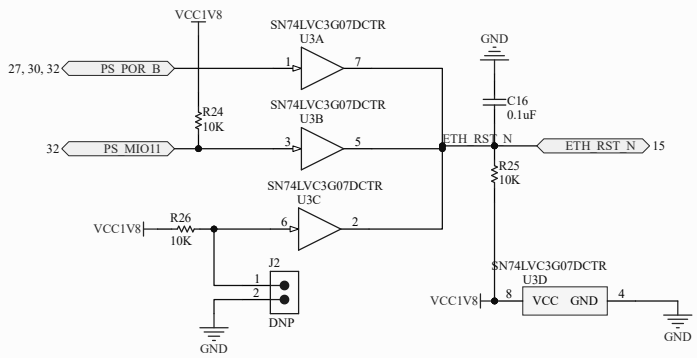


25MHz FOR 100Mbps

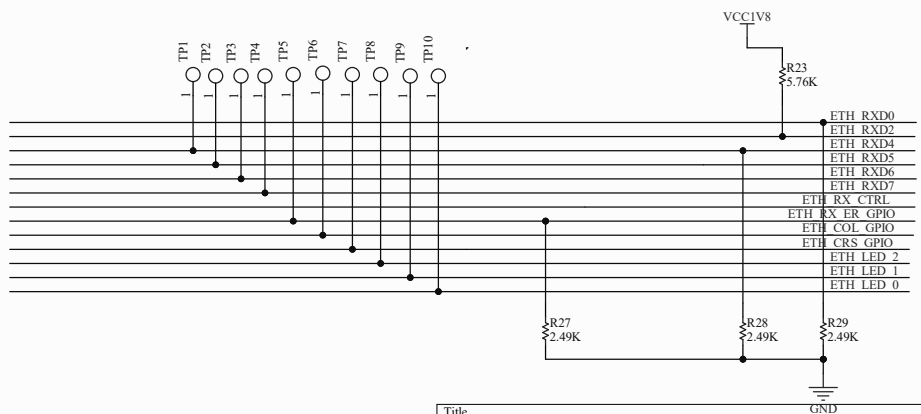
ETHERNET PHY DECOUPLING



ETHERNET RESET CIRCUIT



BOOTSTRAPPING



Title		
Size	Number	Revision
A3		
Date:	8-30-2022	Sheet of
File:	Sheet1.SchDoc	Drawn By: