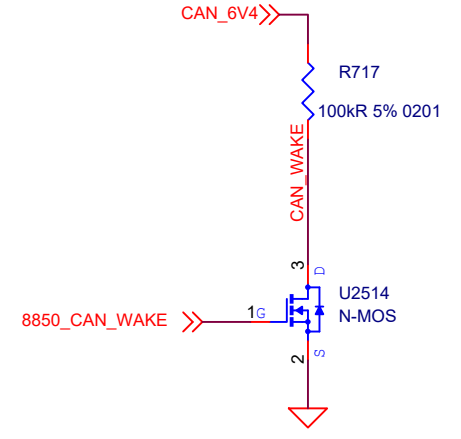
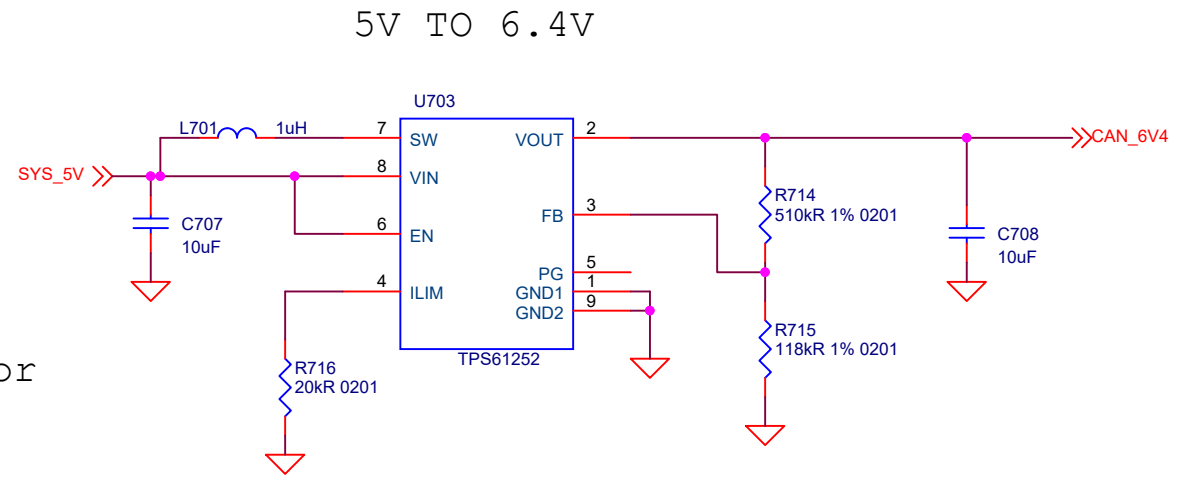


TO unisoc 8850
 1.8V I/O
 8850 without CAN controller



TO unisoc 8850
 1.8V I/O

Title		
<Title>		
Size	Document Number	Rev
A3	<Doc>	<RevC>
Date:	Thursday, May 09, 2024	Sheet 7 of 13