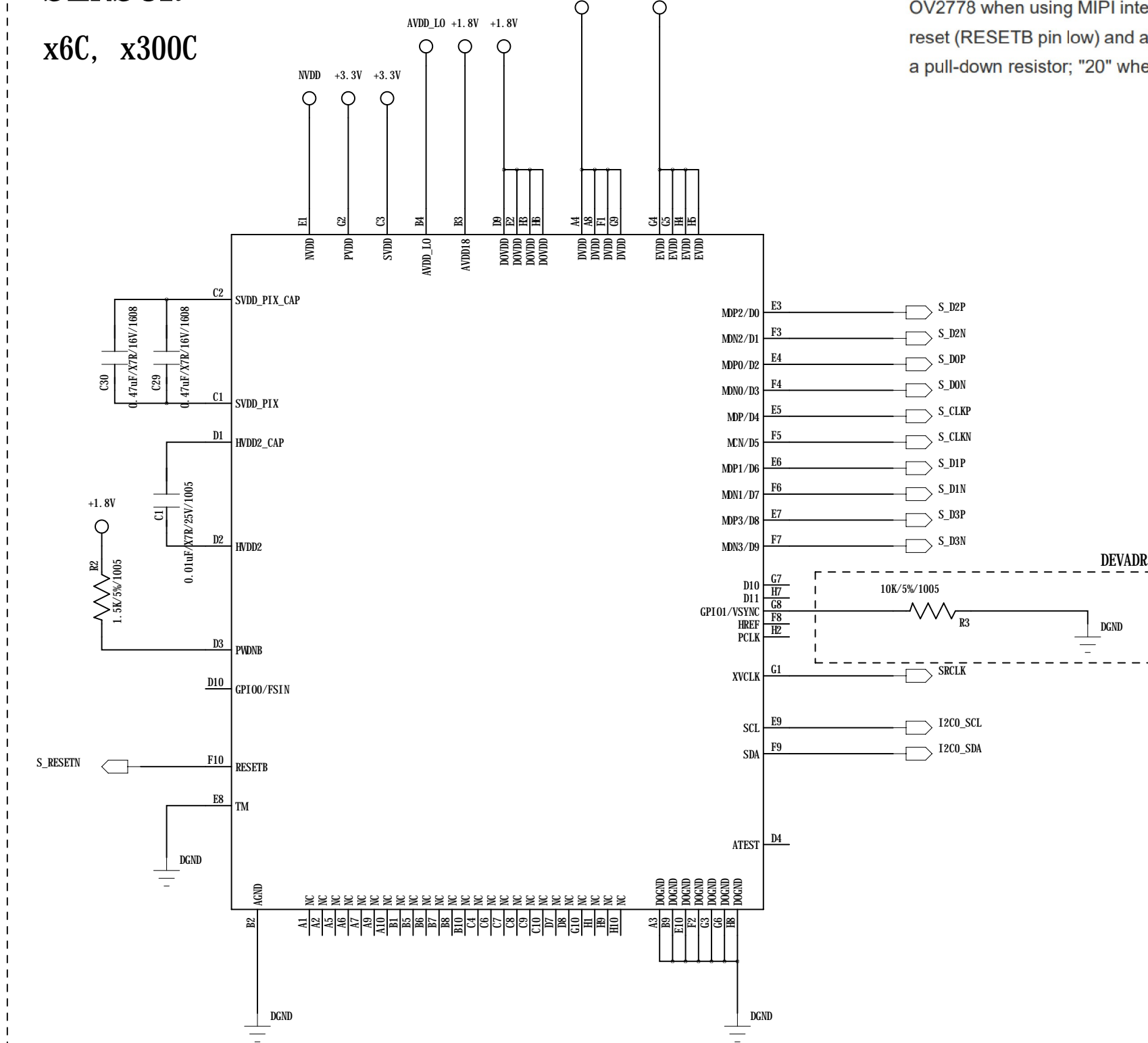


REVISION RECORD			
LTR	ECO NO.	APPROVED:	DATE:

### SENSOR

x6C, x300C

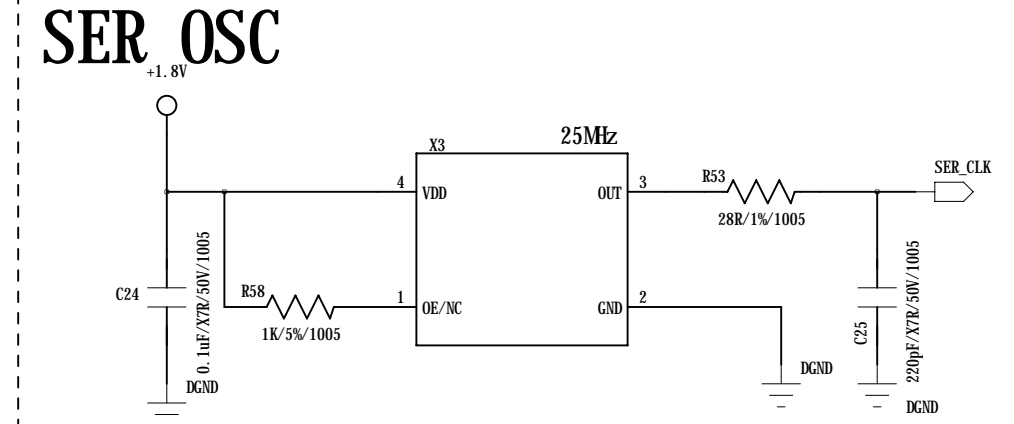
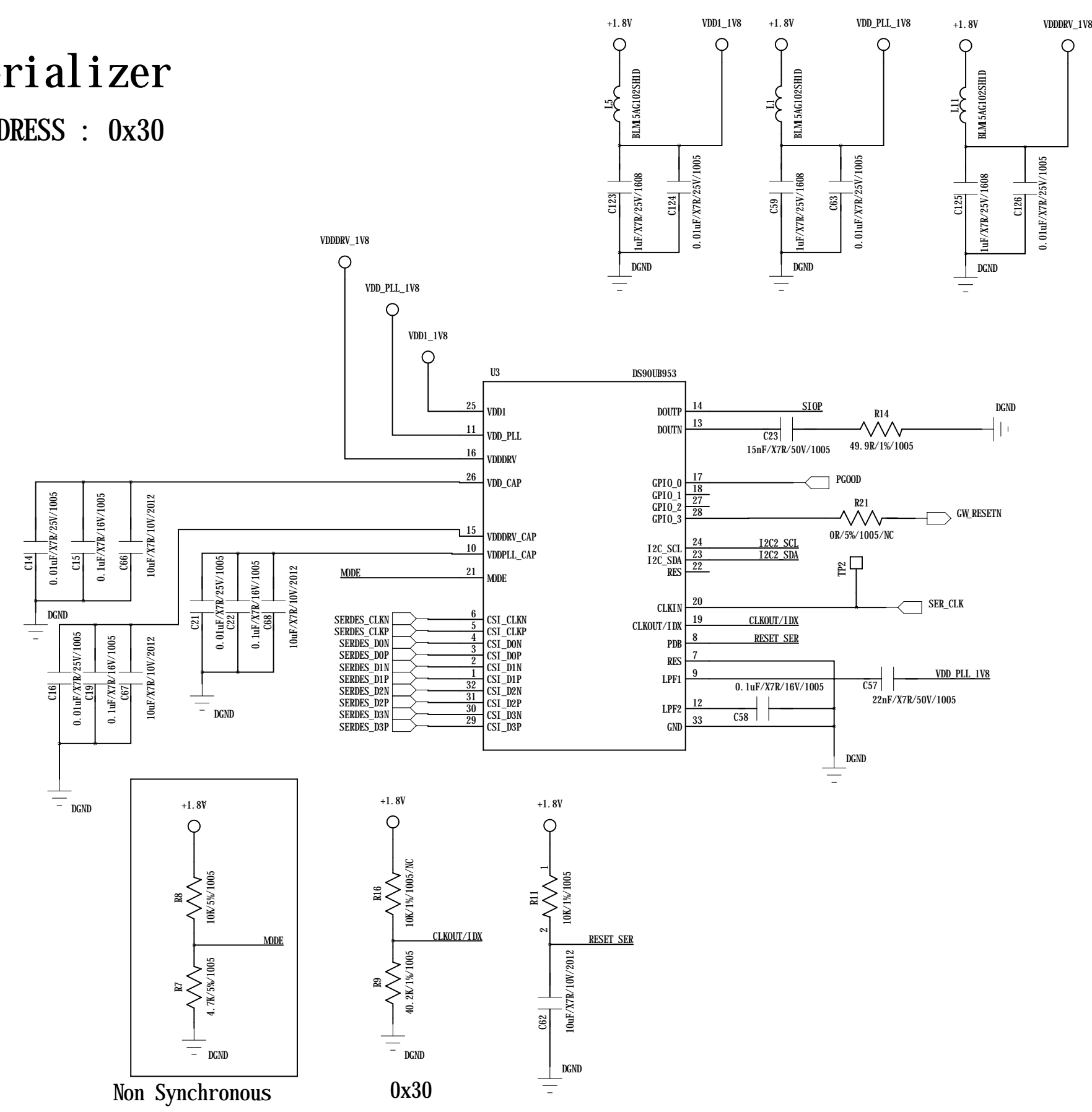
The silicon revision can be read from register 0x300D. **figure 1-4** shows the power supply and signal connection of the OV2778 when using MIPI interface. The SCCB ID will be defined by voltage level of GPIO1 at power up, after hardware reset (RESETB pin low) and after software reset (0x3013[0] = 1): "6C" by default or defined by 0x300C when GPIO1 has a pull-down resistor; "20" when GPIO1 has a pull-up resistor, which is hard coded and cannot be changed.



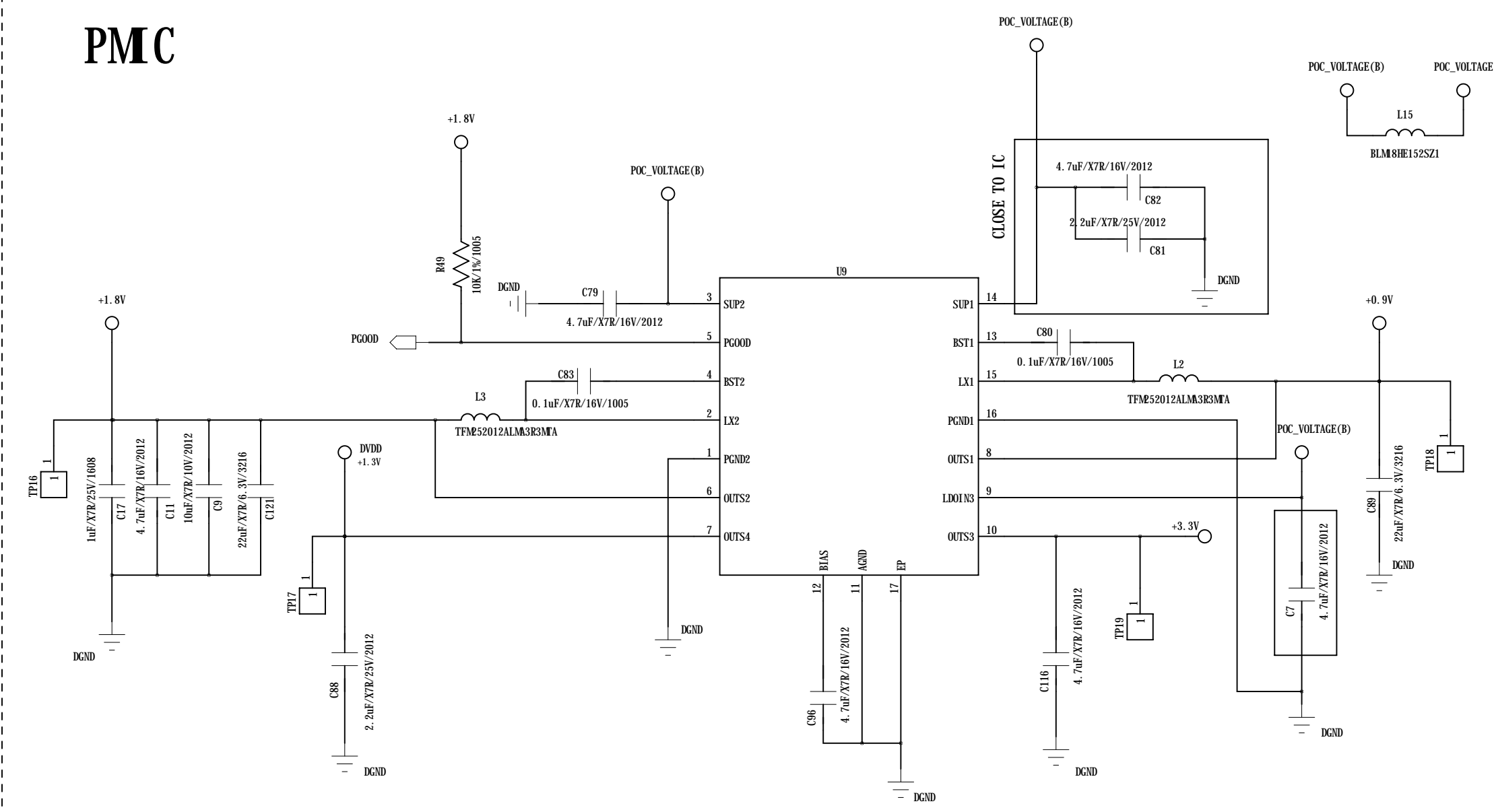
- 1) PWDN: Direct connect to I/O Level if not used.
- 2) Extra Strobe not used (Rolling Shutter)
- 3) GPIO0/FSIN: Flame Sync Input for Multi Camera

### Serializer

ADDRESS : 0x30

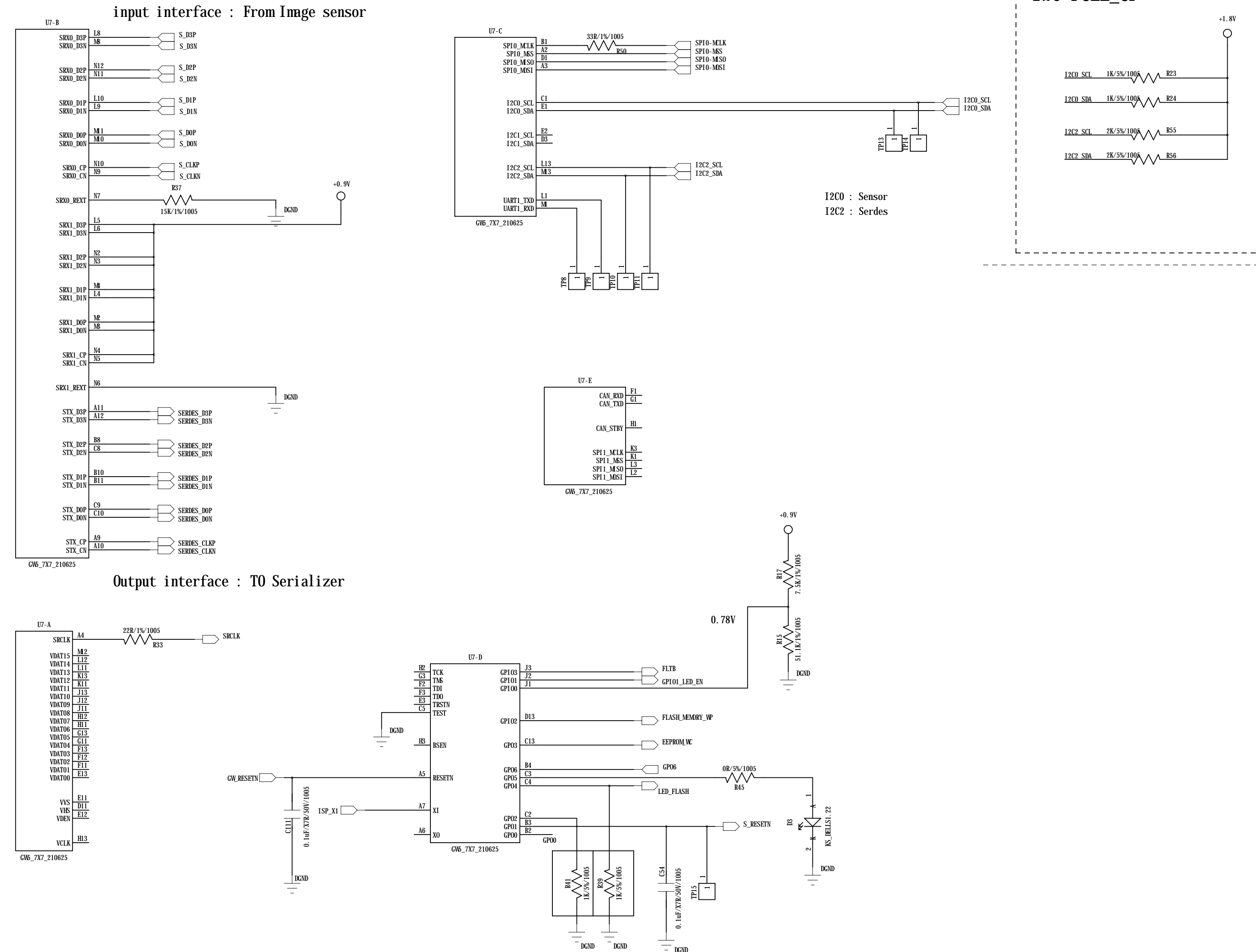


### PMC

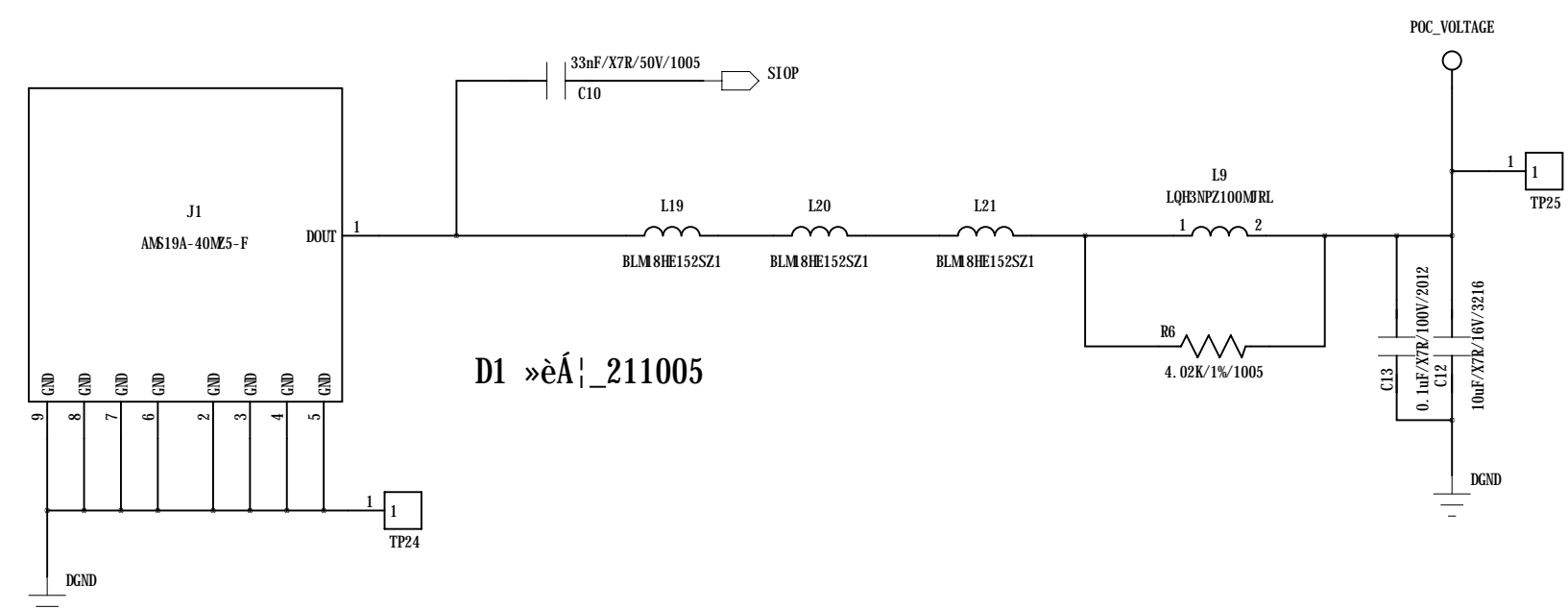


REVISION RECORD			
LTR	ECO NO.	APPROVED:	DATE:

ISP  
ADDRESS : 0XDA



<POC Filter>



DRAWN: <Drawn By>		DATED: <Drawn Date>		COMPANY: <Company Name>	
CHECKED: <Checked By>		DATED: <Checked Date>		TITLE: <Title>	
QUALITY CONTROL: <QC By>		DATED: <QC Date>		CODE: <Code>	SIZE: D
RELEASED: <Released By>		DATED: <Release Date>		DRAWING NO: <Drawing Number><Revision>	
SCALE: <Scale>				SHEET: 2of 3	