

REVISION RECORD			
LTR	ECO NO.	APPROVED:	DATE:

6

5

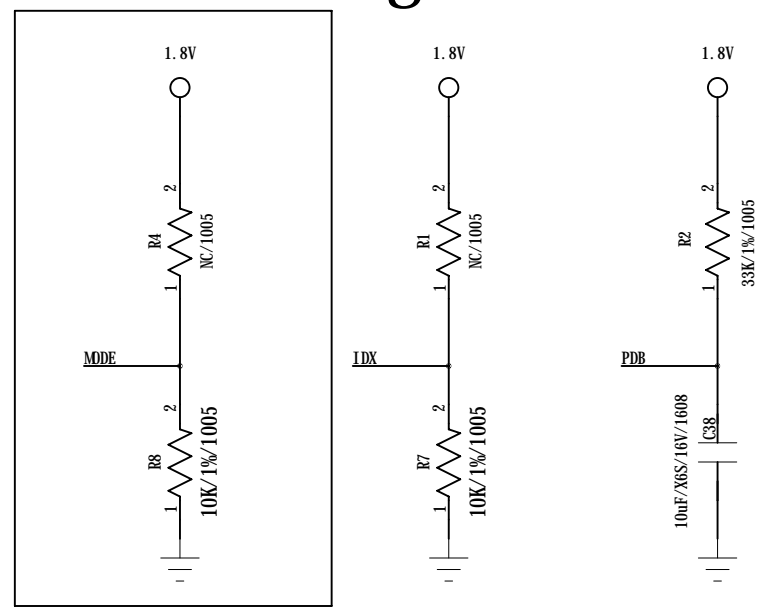
4

3

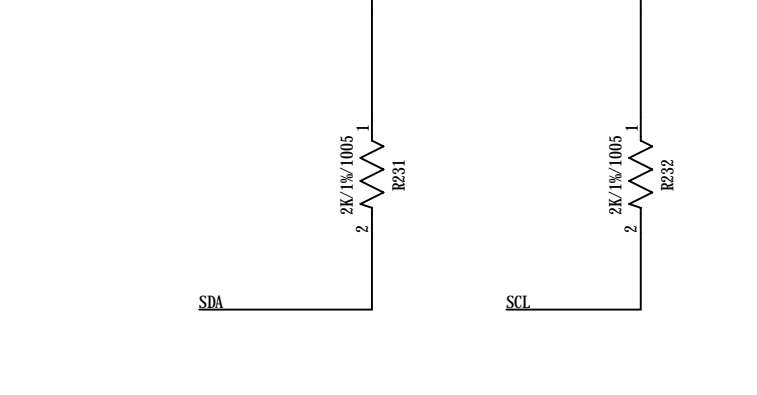
2

1

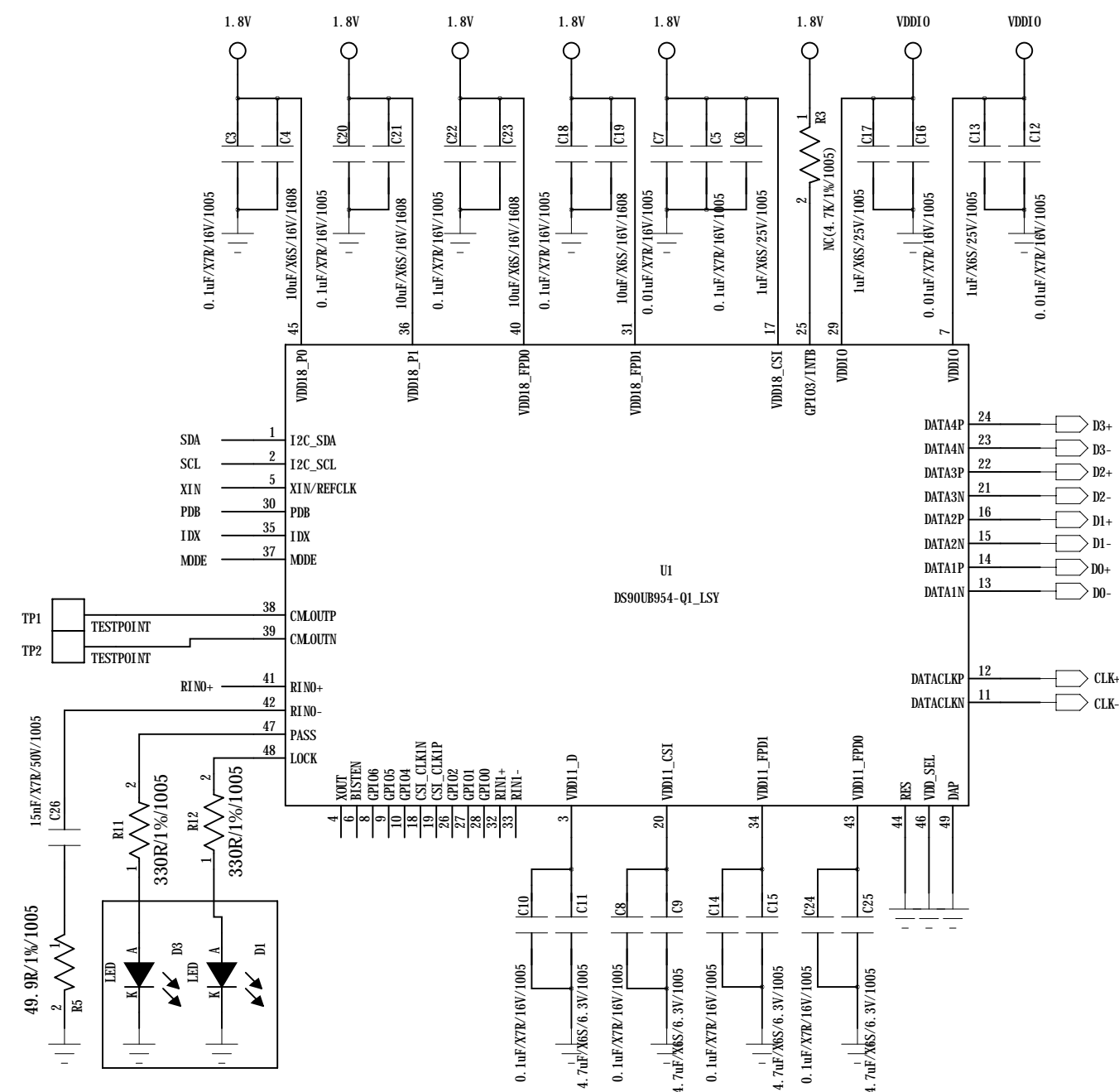
Config Pin



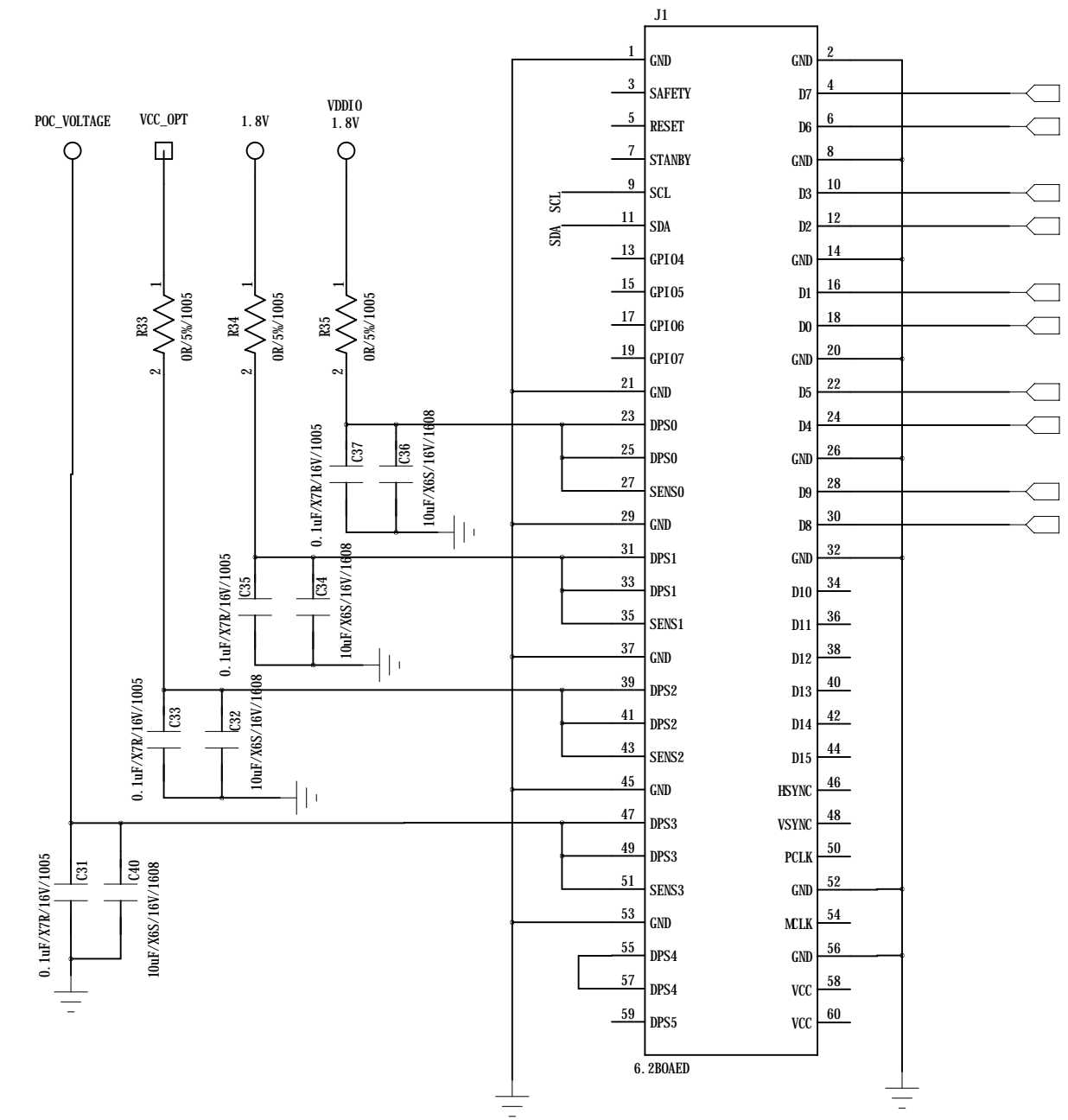
OSC



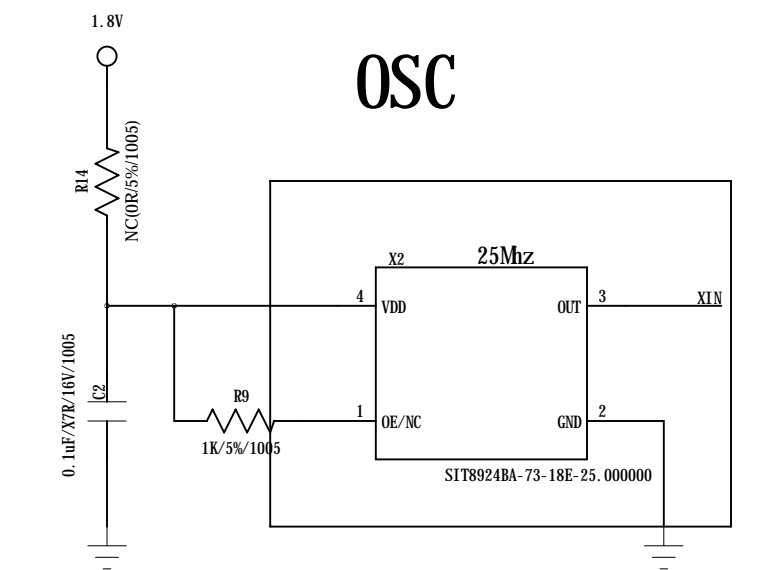
Deserializer



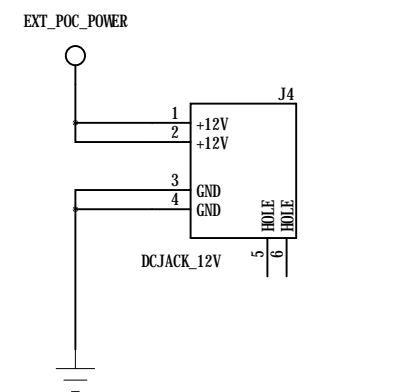
6.2Board Connector



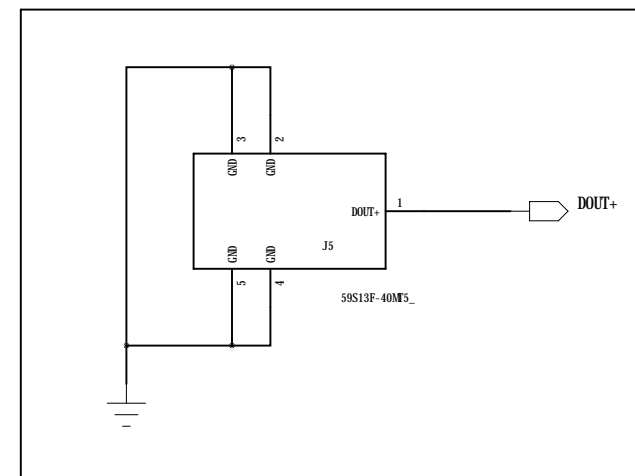
OSC



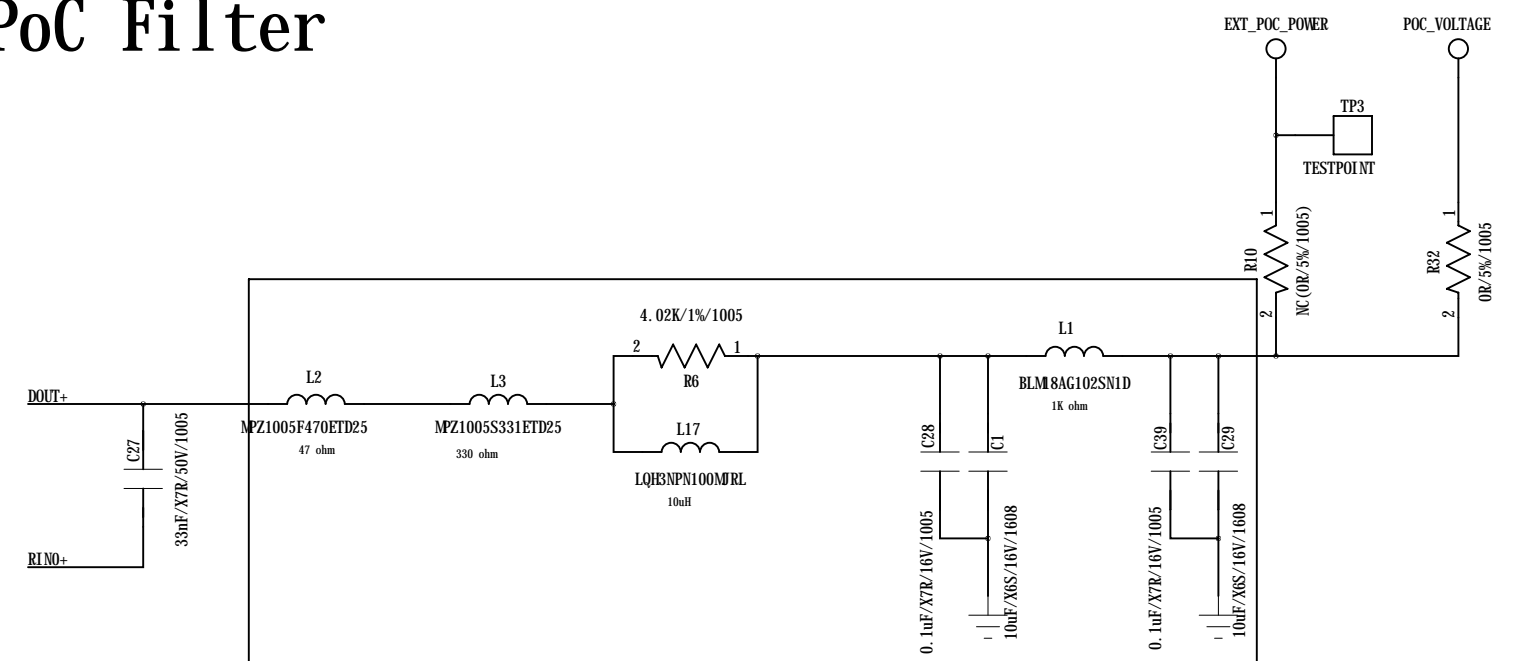
Externa POC Power



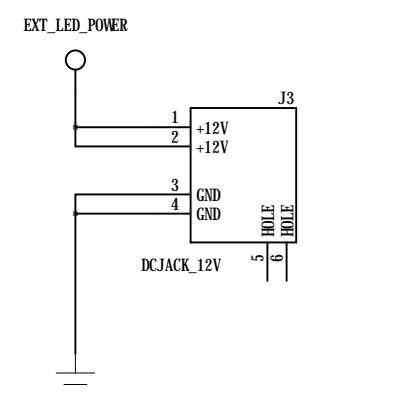
FAKRA Conn.



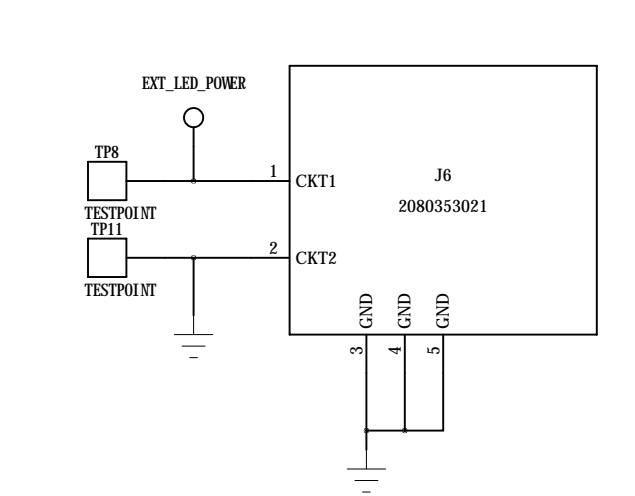
PoC Filter



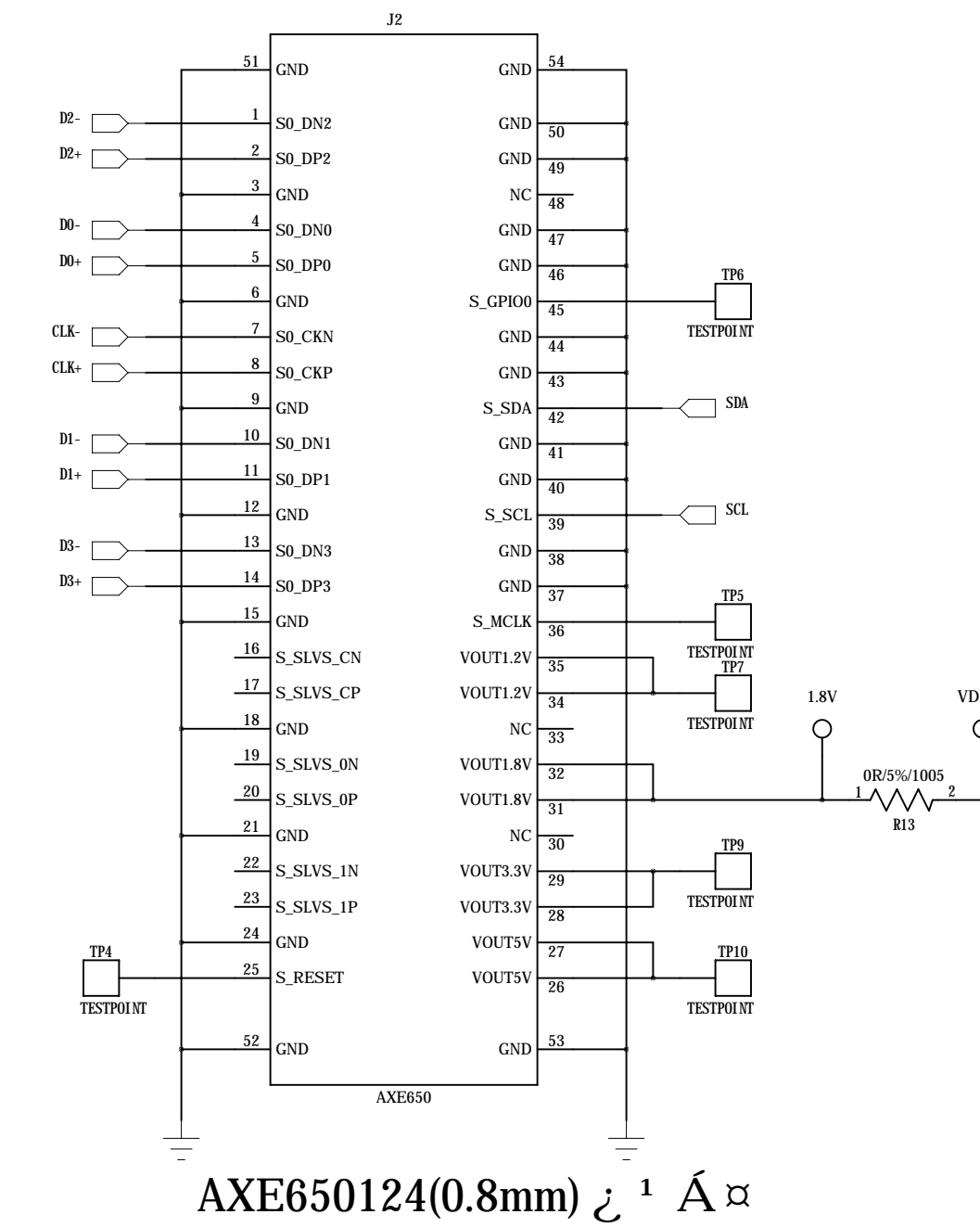
External LED Power



External LED Power



CUBE Conn.



AXE650124(0.8mm) 1 A

COMPANY: <Company Name>			
TITLE: <Title>			
CODE: <Code>	SIZE: D	DRAWING NO: <Drawing Number>	REV: <Revision>
SCALE: <Scale>			
SHEET: 1 of 1			

DRAW: <Drawn By>	DATE: <Drawn Date>
CHECKED: <Checked By>	DATE: <Checked Date>
QUALITY CONTROL: <QC By>	DATE: <QC Date>
RELEASED: <Released By>	DATE: <Release Date>