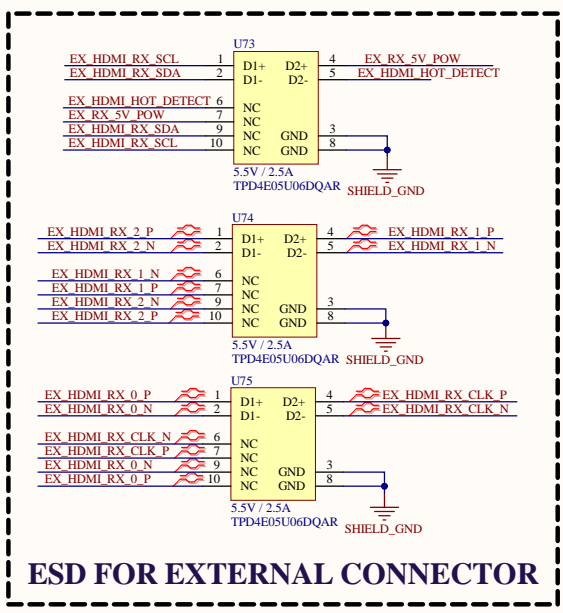
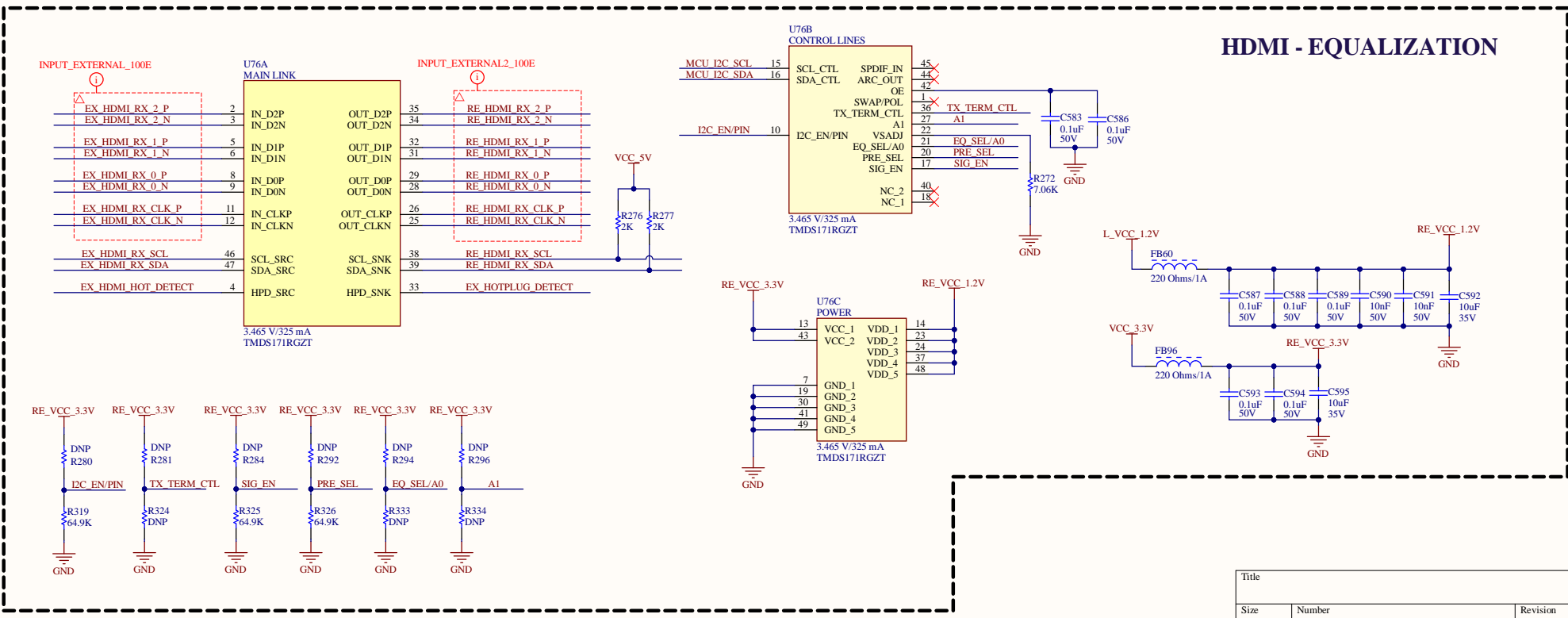


EXTERNAL HDMI INPUT



ESD FOR EXTERNAL CONNECTOR



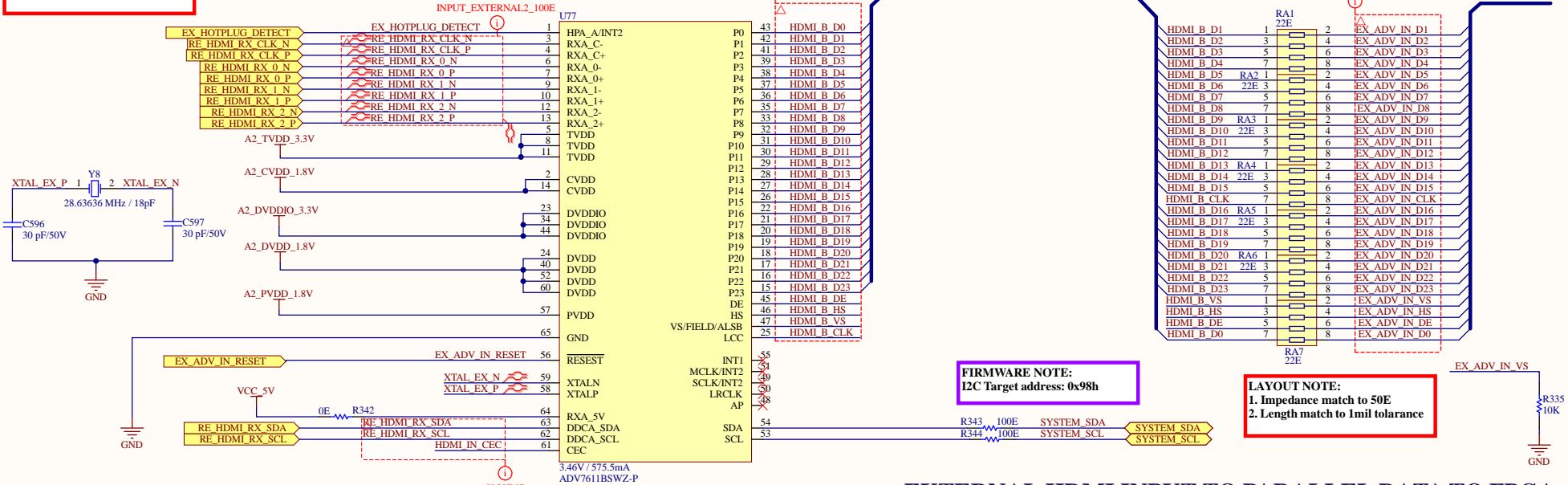
HDMI - EQUALIZATION

Title		
Size	Number	Revision
A3		
Date:	12-30-2023	Sheet of
File:	Sheet1.SchDoc	Drawn By:

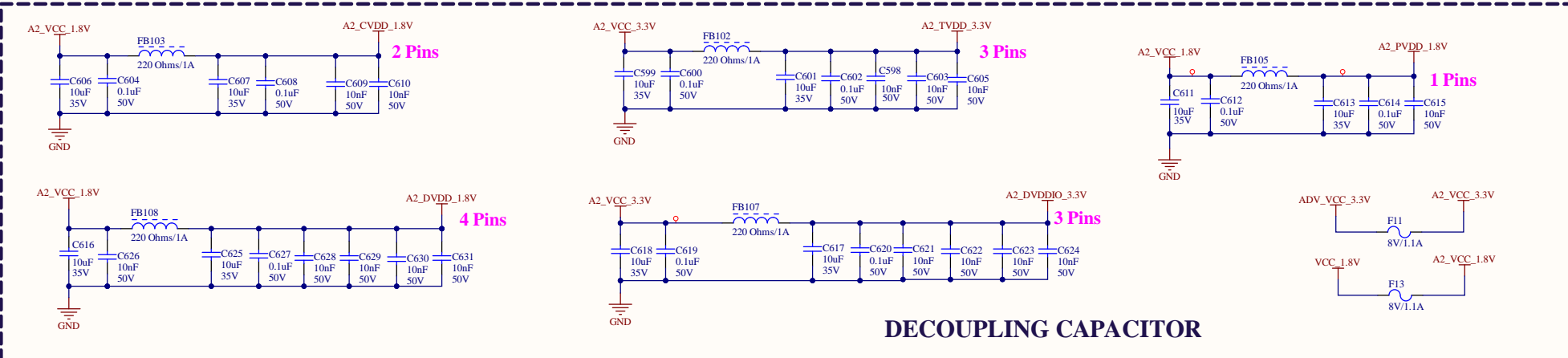
LAYOUT NOTE:
HDMI lines should be group length matched to 1mil and 100E impedance matched.

PARALLEL_DATA_EX

EX_ADV_DATA



EXTERNAL HDMI INPUT TO PARALLEL DATA TO FPGA



Title		
Size	Number	Revision
A3		
Date:	12-30-2023	Sheet of
File:	Sheet2_SchDoc	Drawn By: