

Ch1 : +3.3VD

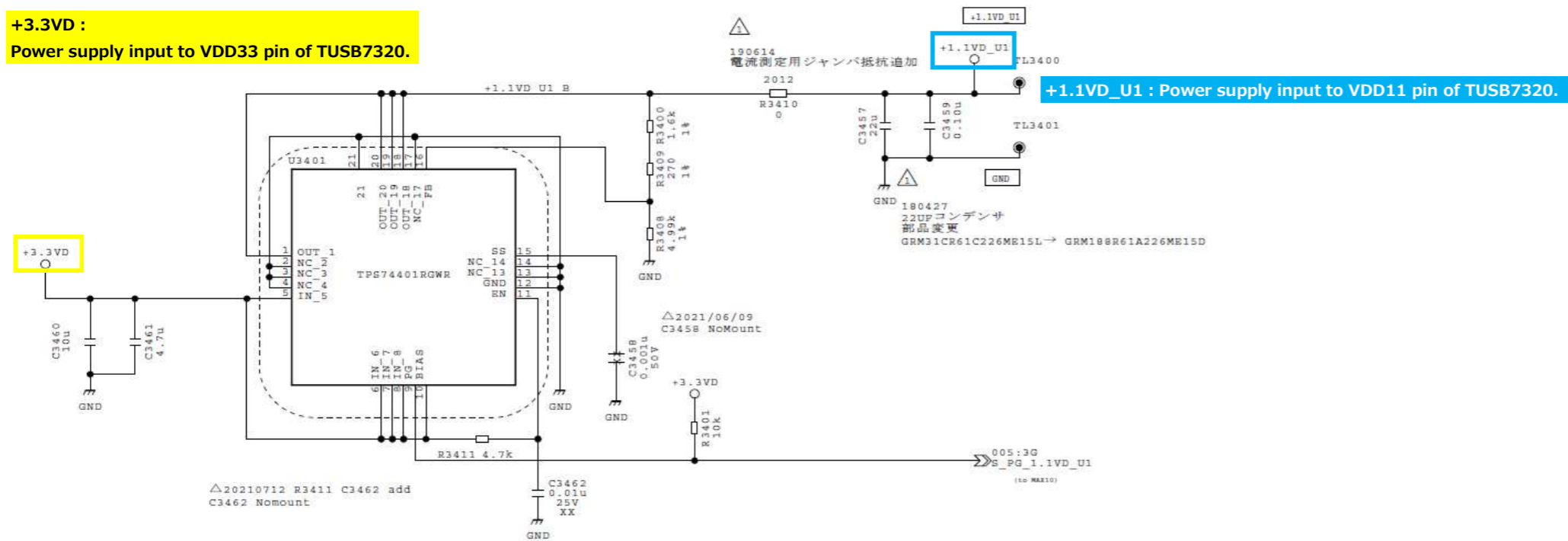
Power supply input to VDD33 pin of TUSB7320.

CH2 : +1.1VD

Power supply input to VDD11 pin of TUSB7320.

+3.3VD :

Power supply input to VDD33 pin of TUSB7320.



+1.1VD_U1 : Power supply input to VDD11 pin of TUSB7320.

※Note
 Slow-Start time - 100us (when ss is left open)
 1.1V can ramp along with 3.3V supply for TUSB7320
 VEN threshold is > 1.1V

+1.1V_U1 Power Supply (3 [A])