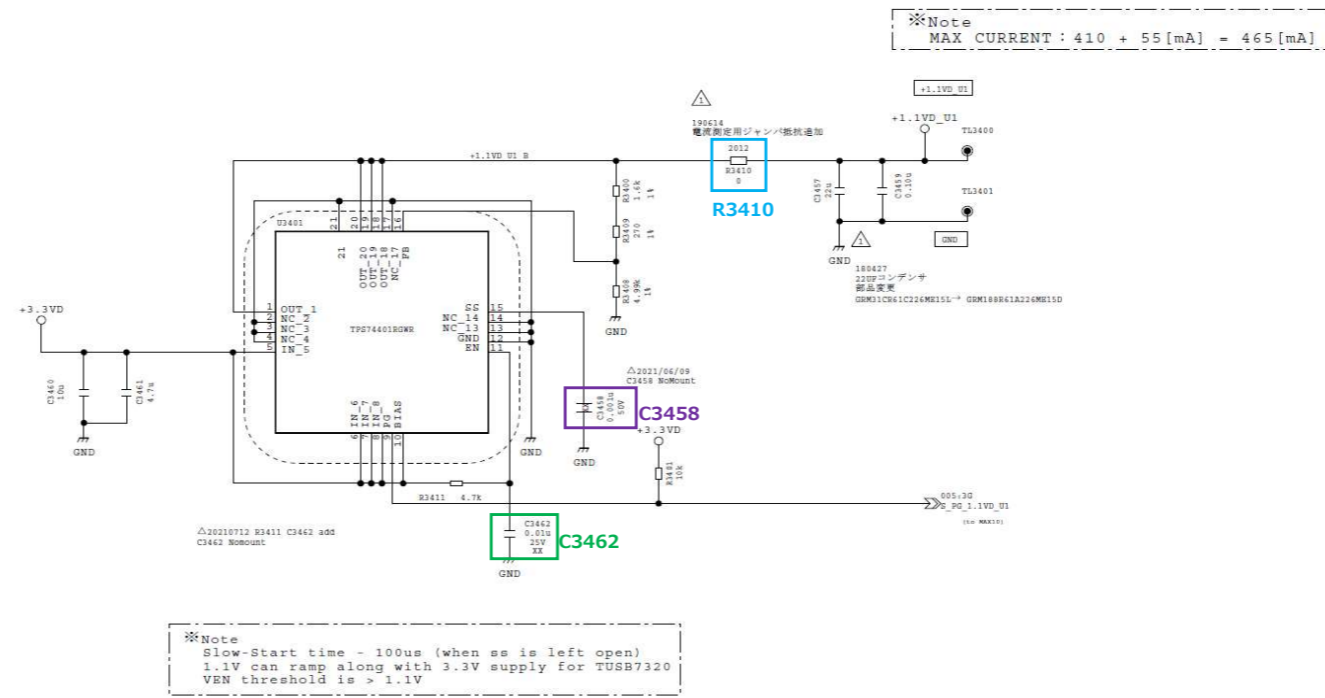


C3458	C3462	R3410	number of errors.	Reference waveform.
No mount.	4.7kΩ resistor.	0Ω resistor.	Booted 10 times, 1 error.	—
	2.7kΩ resistor.	0Ω resistor.	Booted 10 times, 1 error.	—
	No mount.	0.47μH coil.	Booted 10 times, 7 errors.	—
4700pF capacitor.	0.01μF capacitor.	0Ω resistor.	Booted 10 times, 1 error.	④
	No mount.	0Ω resistor.	Booted 150 times, 2 errors.	—
	2.7kΩ resistor.	0Ω resistor.	Booted 200 times, no errors.	①
	2.7kΩ resistor.	0.47μH coil.	Booted 200 times, no errors.	②
	0.01μF capacitor.	0Ω resistor.	Booted 200 times, no errors.	③



**Ch1 : +3.3VD** Power supply input to VDD33 pin of TUSB7320.  
**Ch2 : +1.1VD** Power supply input to VDD11 pin of TUSB7320.

