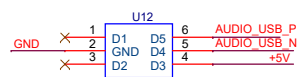
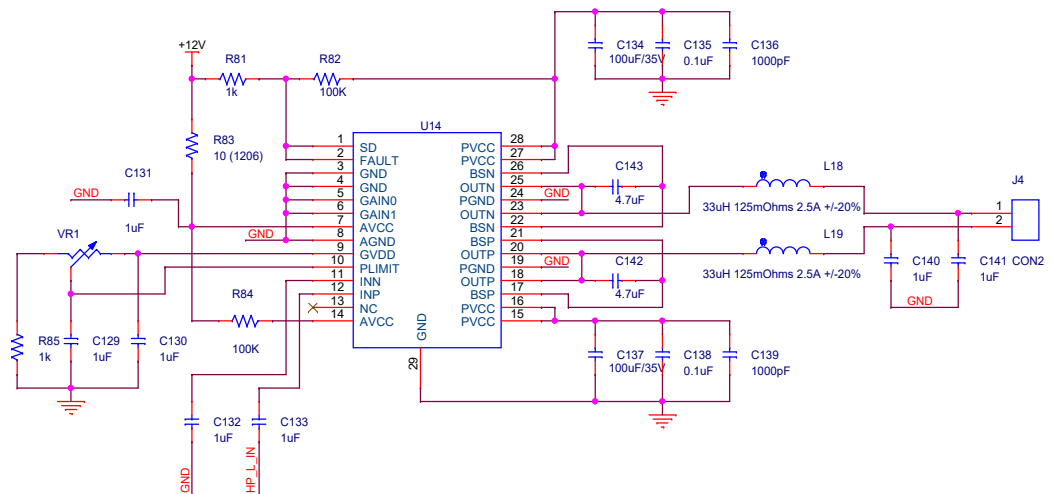
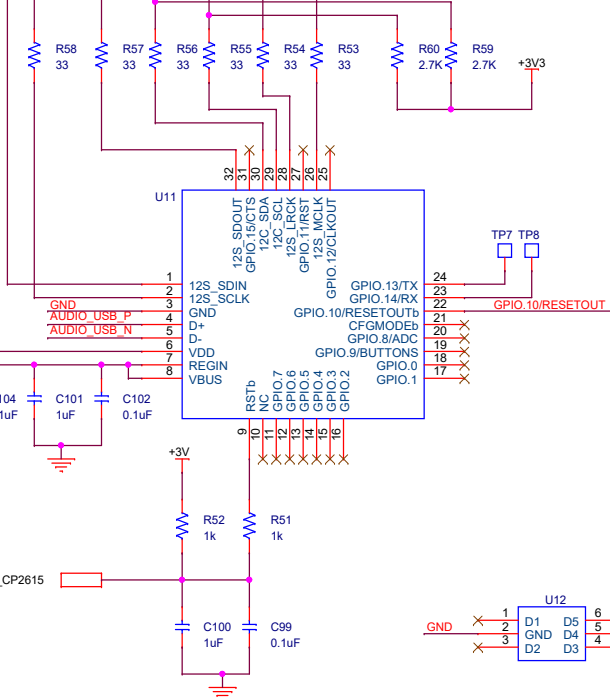
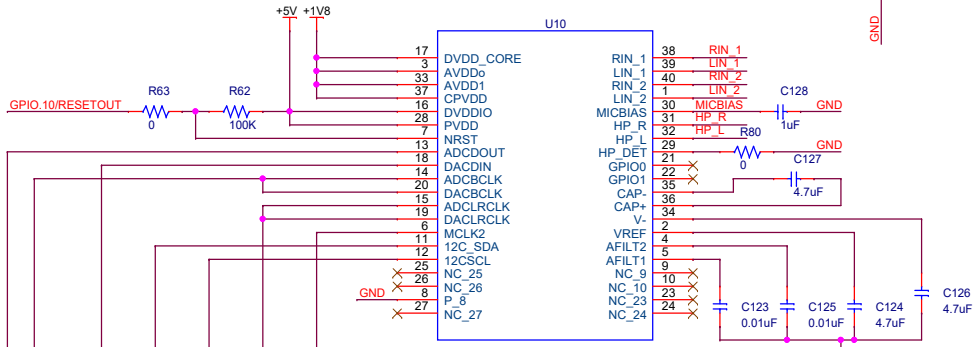
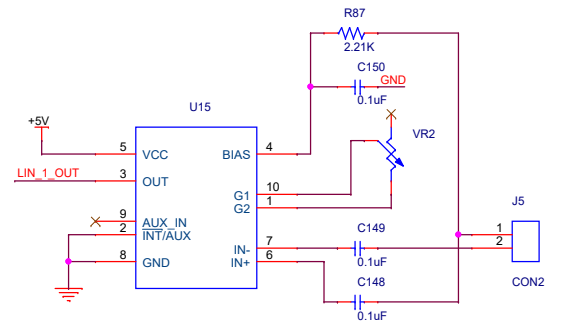
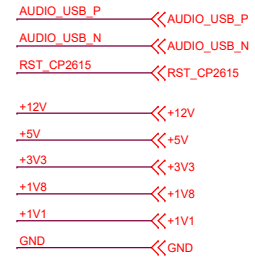
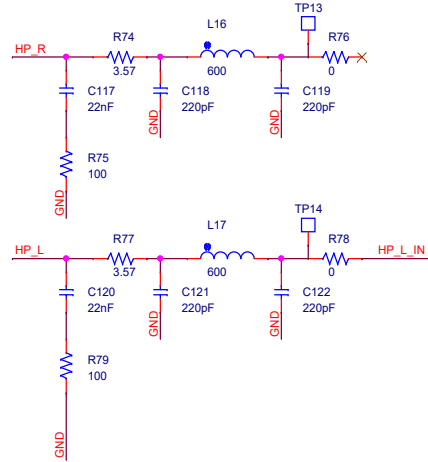
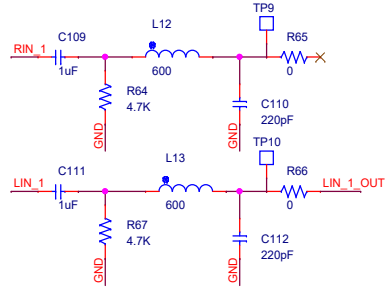
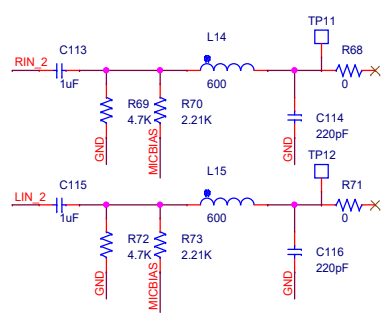


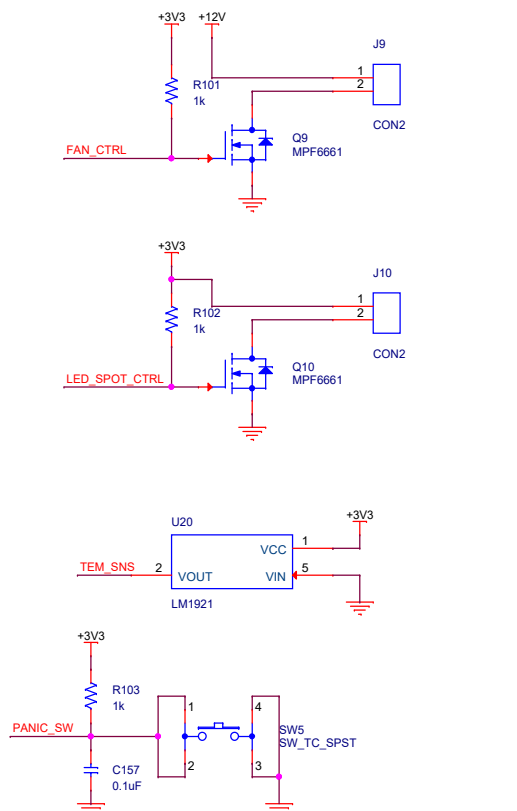
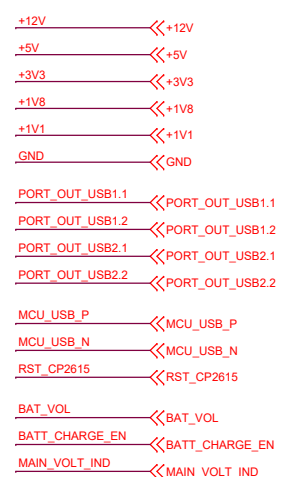
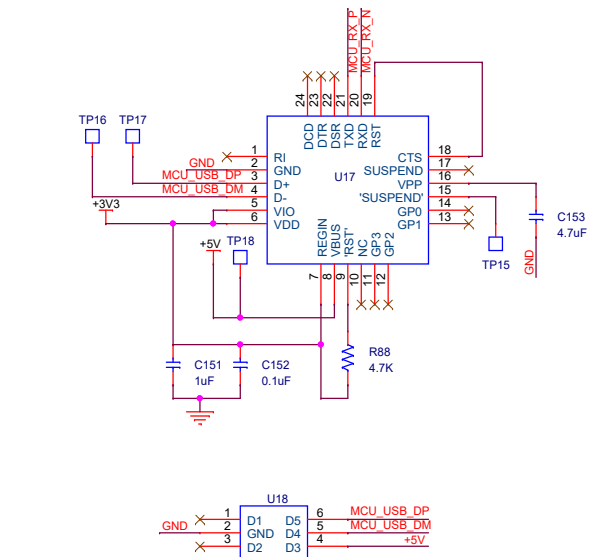
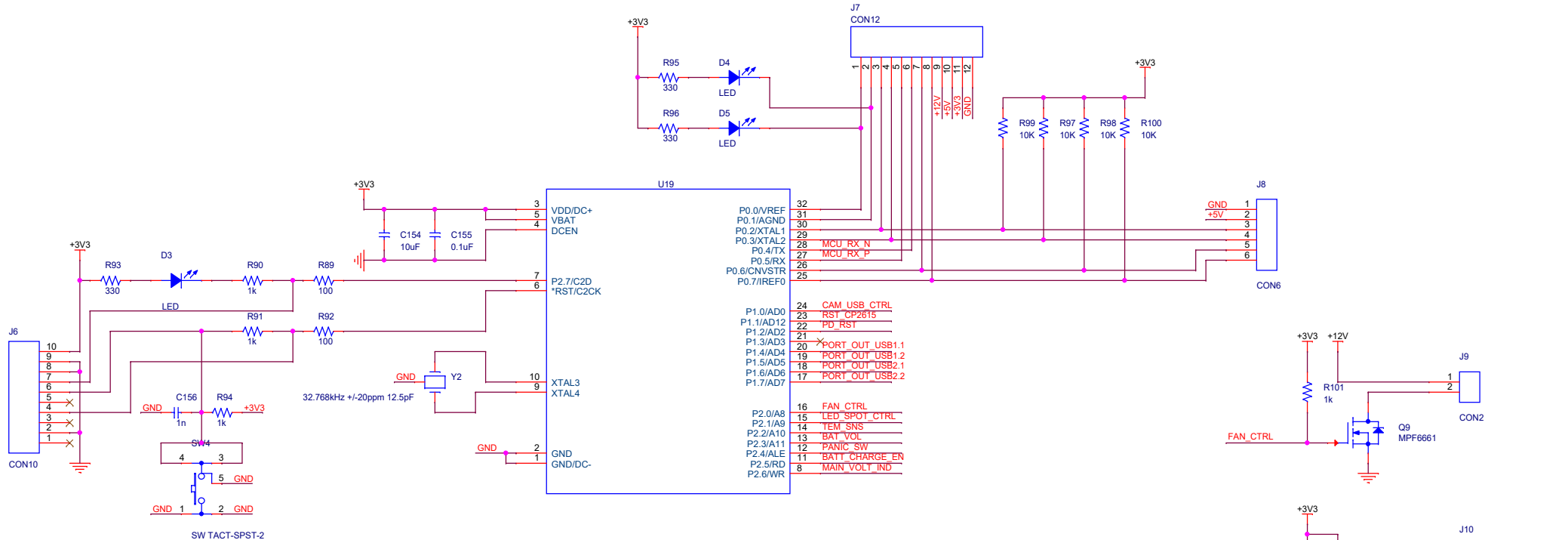
- +12V <<< +12V
- +5V <<< +5V
- +3V3 <<< +3V3
- +1V8 <<< +1V8
- +1V1 <<< +1V1
- GND <<< GND

- BAT_VOL <<< BAT_VOL
- BATT_CHARGE_EN <<< BATT_CHARGE_EN
- MAIN_VOLT_IND <<< MAIN_VOLT_IND

Title	<Title>	
Size	Document Number	Rev
A3	<Doc>	<Rev Code>
Date:	Tuesday, February 13, 2018	Sheet 1 of 1



Title	<Title>	
Size	Document Number	Rev
A3	<Doc>	<Rev Code>
Date:	Tuesday, February 13, 2018	Sheet 1 of 1



Title	<Title>	
Size	Document Number	Rev
A3	<Doc>	<Rev Code>
Date:	Tuesday, February 13, 2018	Sheet 1 of 1