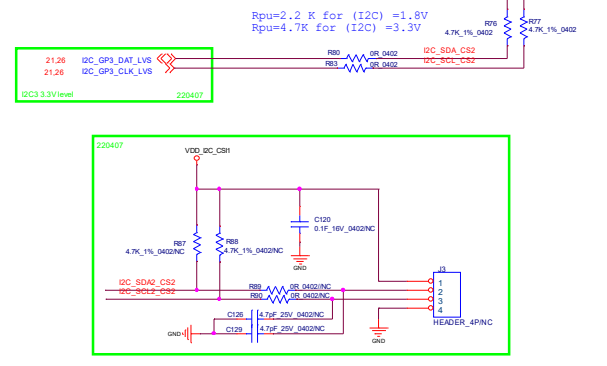
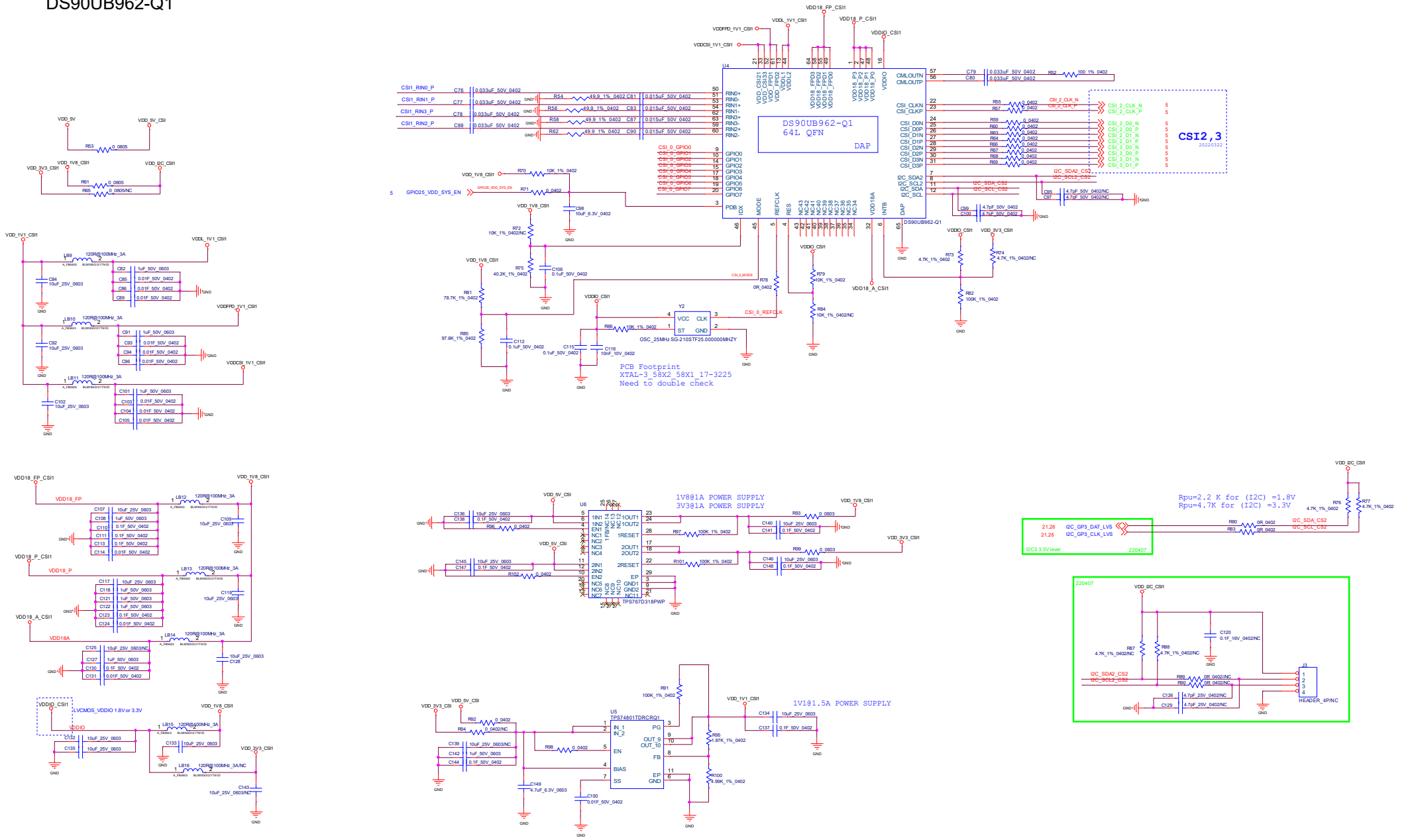
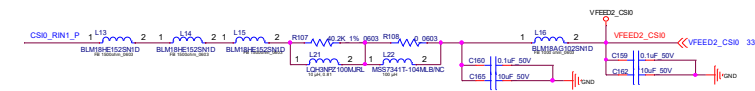


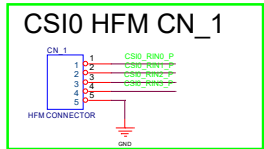
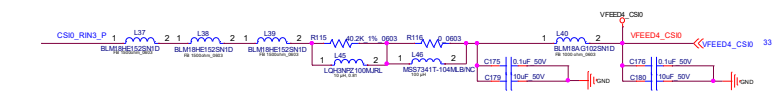
# HFM FPD-LINK3 DS90UB962-Q1



# POC FOR CSI0,1



4X POC 0.5A



# POC FOR CSI2,3



4X POC 0.5A

