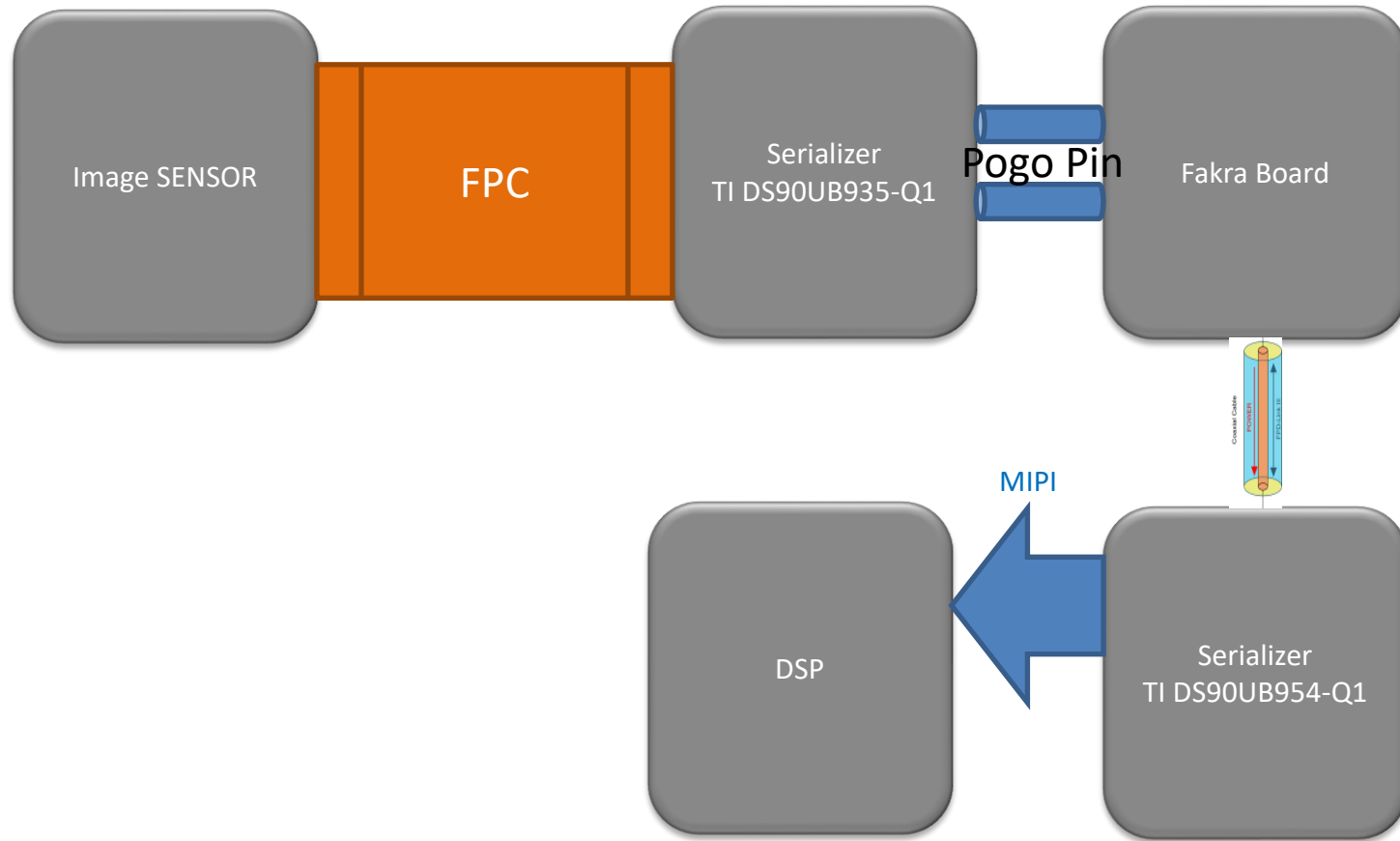
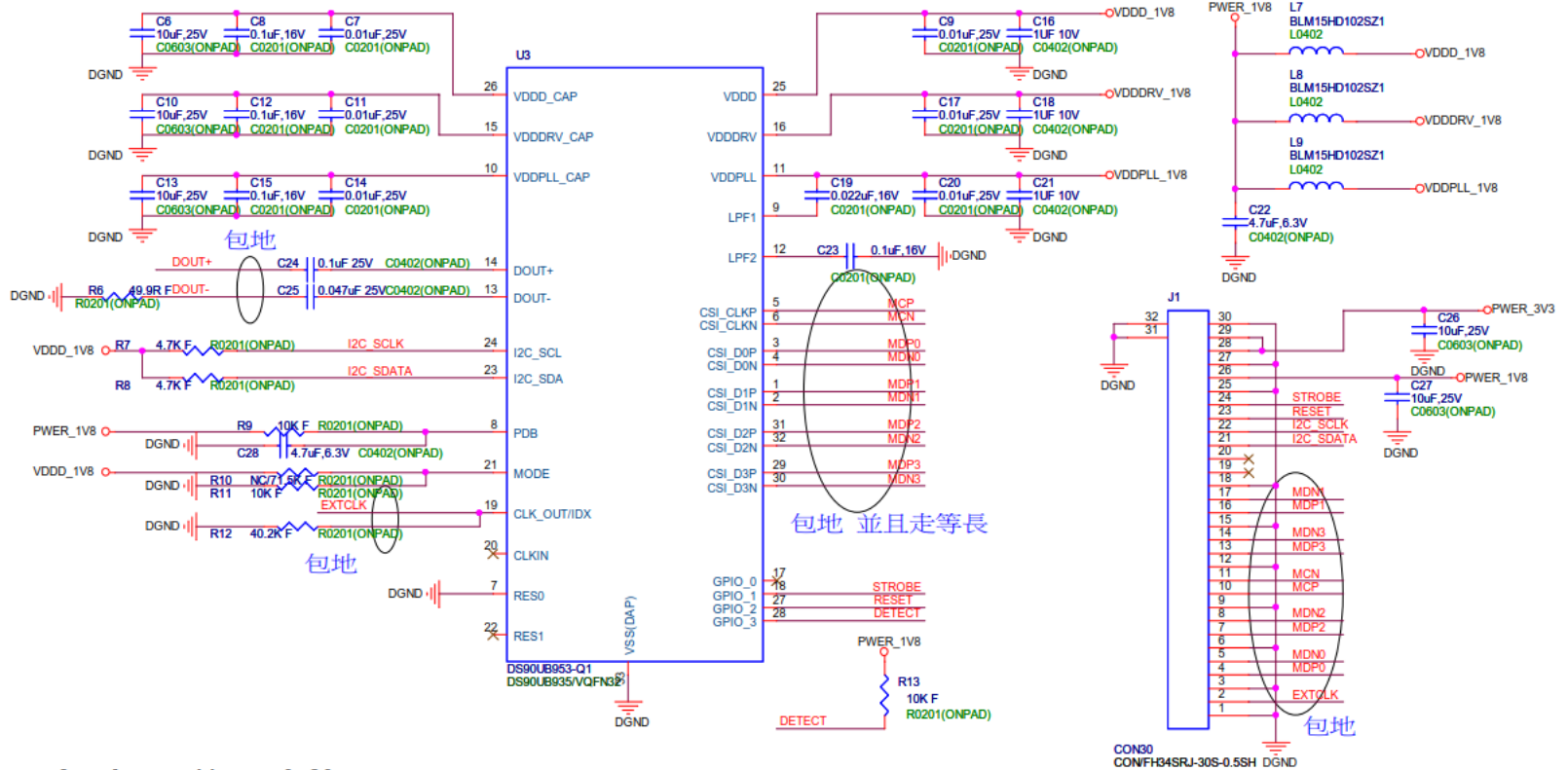
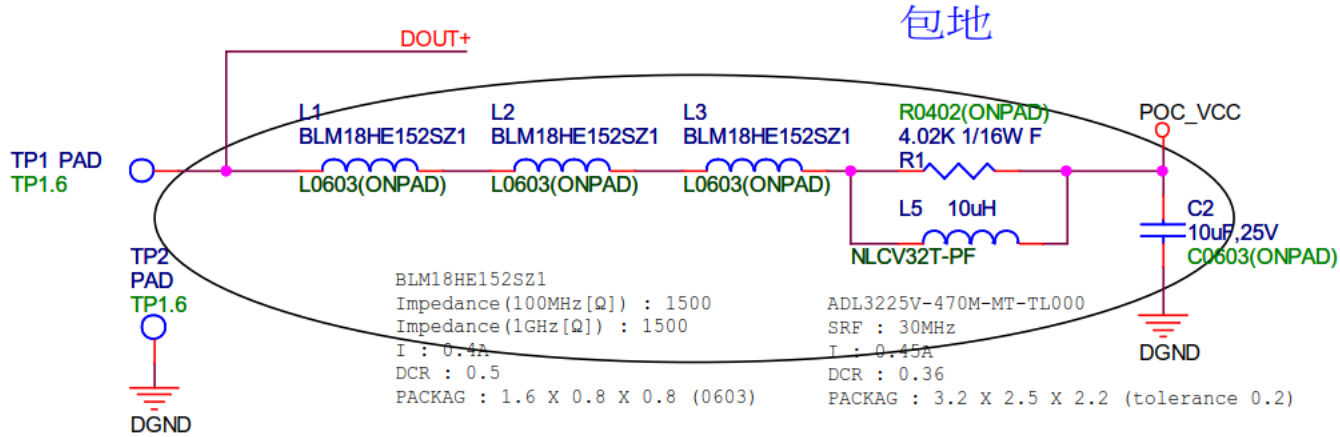


Block Diagram

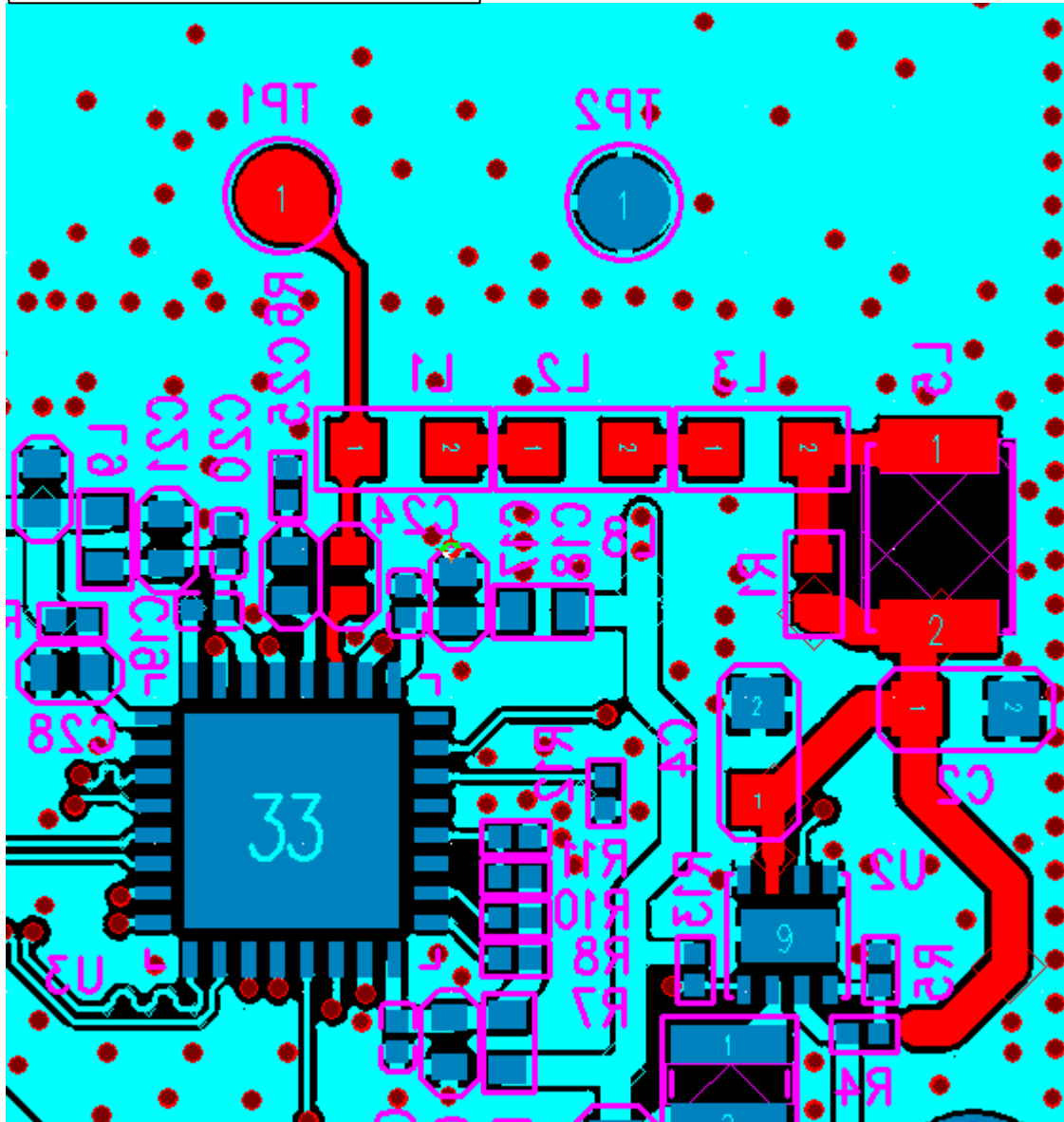


DS90UB953-Q1 Side schematic

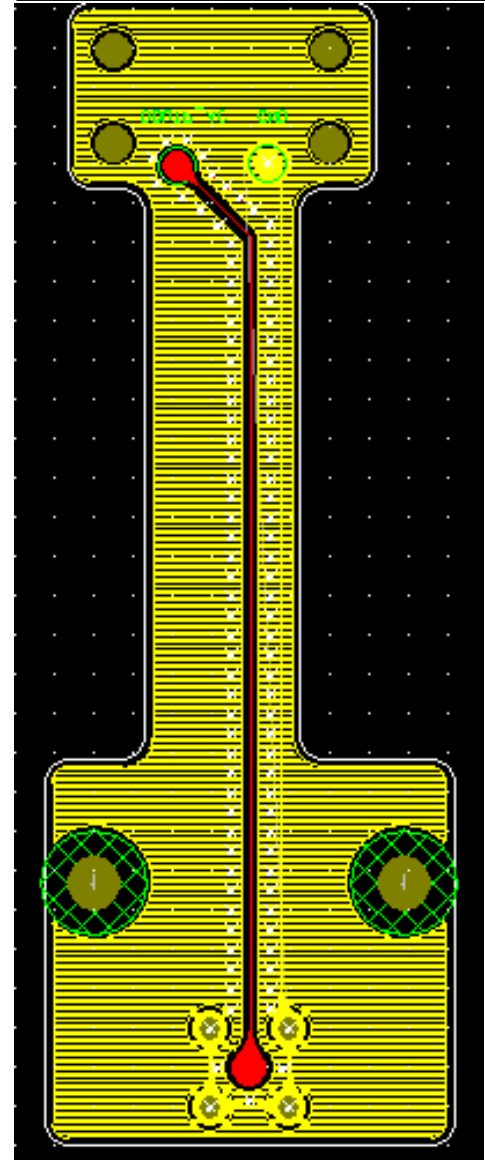


DS90UB953-Q1 Side POC Layout

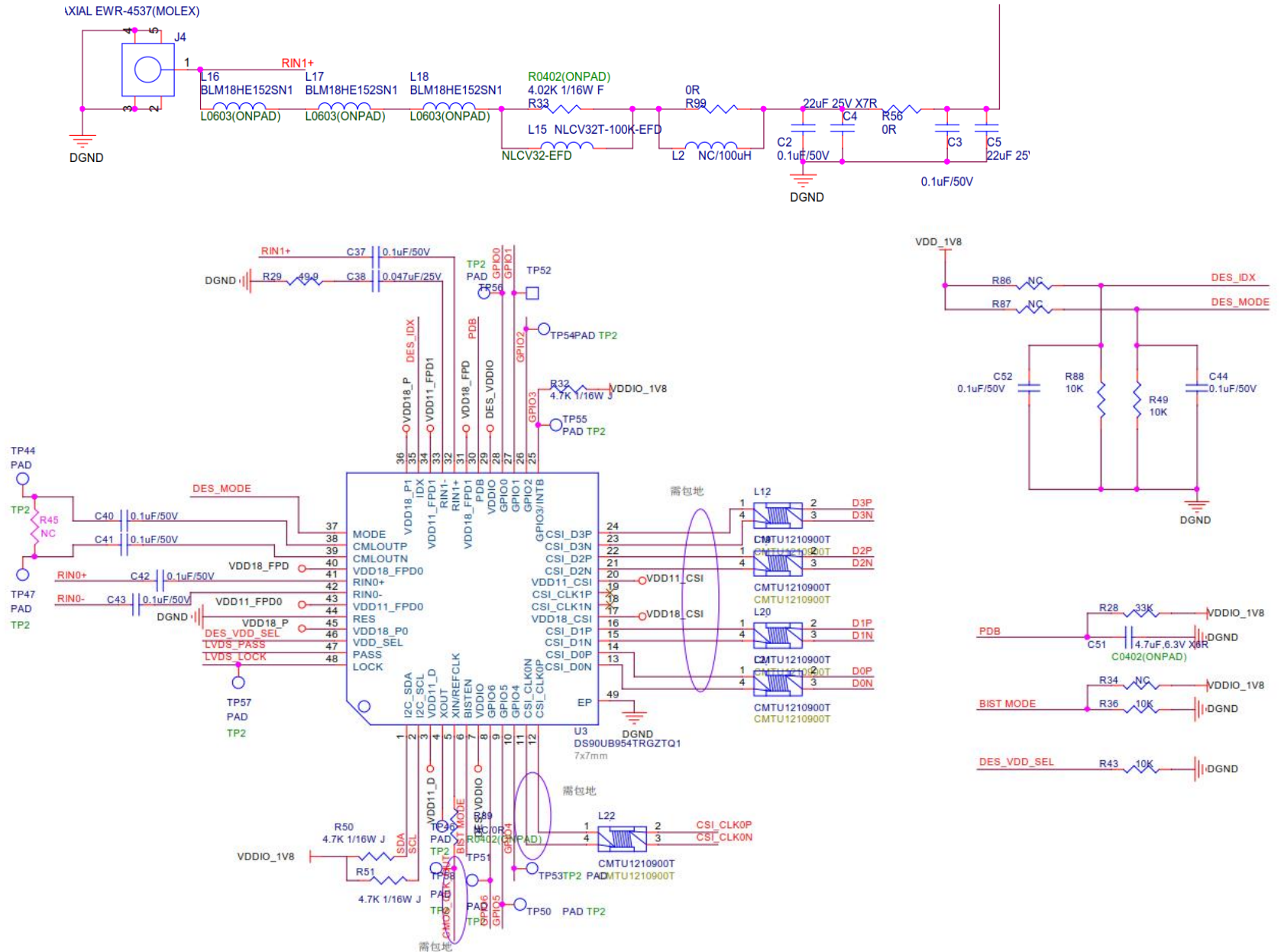
Serializer Board



Fakra Board



DS90UB954-Q1 Side schematic



DS90UB954-Q1 Side POC Layout

Serializer Board

