

# 4、Serializer

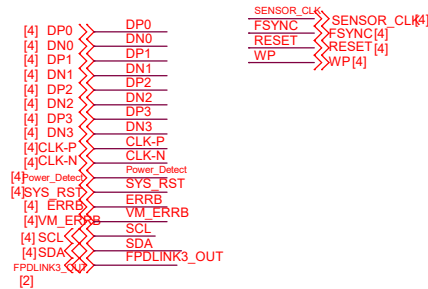
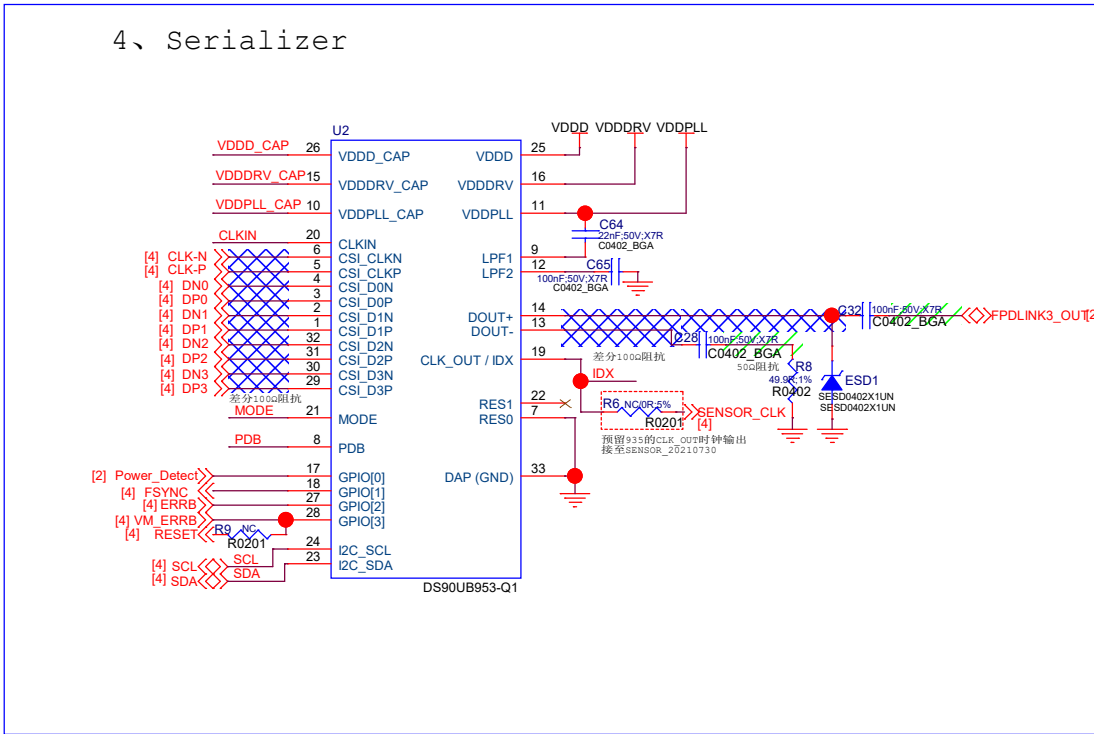


Table 1-6. Pin Configuration Map (continued)

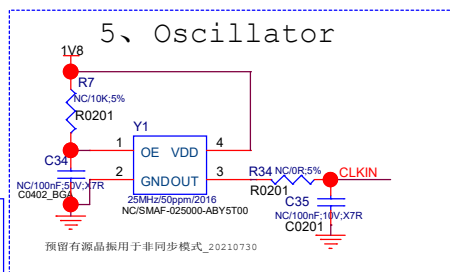
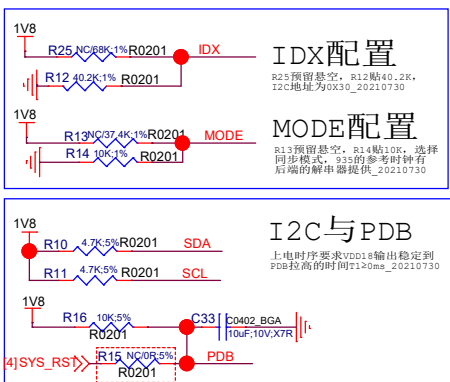
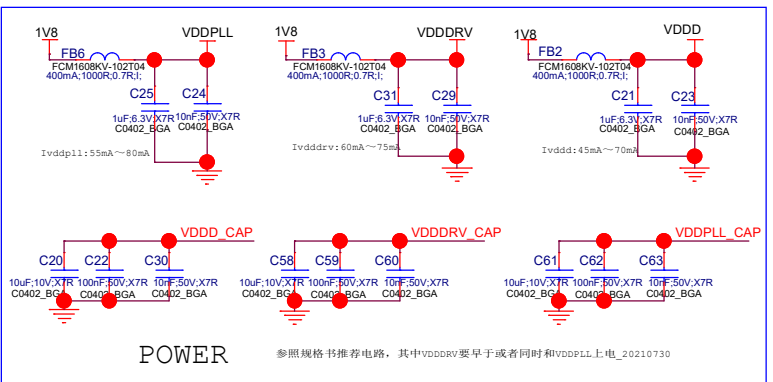
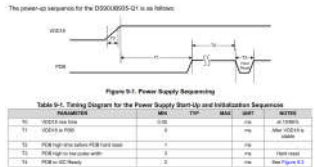
Pin	Signal	IO Mode	IO Type	IO Strength	IO Pull-up	IO Pull-down	IO Schmitt	IO Tri-state	IO Drive	IO Slew Rate	IO Output
1	DP0	IO	CMOS	10mA	None	None	None	None	None	None	None
2	DP1	IO	CMOS	10mA	None	None	None	None	None	None	None
3	DP2	IO	CMOS	10mA	None	None	None	None	None	None	None
4	DP3	IO	CMOS	10mA	None	None	None	None	None	None	None

Table 1-8. I/O Configuration Setting

IO	IO Mode	IO Type	IO Strength	IO Pull-up	IO Pull-down	IO Schmitt	IO Tri-state	IO Drive	IO Slew Rate	IO Output
1	IO	CMOS	10mA	None	None	None	None	None	None	None
2	IO	CMOS	10mA	None	None	None	None	None	None	None
3	IO	CMOS	10mA	None	None	None	None	None	None	None
4	IO	CMOS	10mA	None	None	None	None	None	None	None

Table 8-3. Design Parameters

DESIGN PARAMETER	FN01	MIN	TYP	MAX	UNIT
AC-Coupling Capacitor for Synchronous Mode, General	DS0T1	100	100	100	pF
AC-Coupling Capacitor for Asynchronous Mode, EPP Connections	DS0T1-DS0T7	100	100	100	pF
AC-Coupling Capacitor for Async, EPP and SDA Connections	DS0T1	100	100	100	pF
AC-Coupling Capacitor for Async, Synchronous and SPI Connections	DS0T1	100	100	100	pF



Zong Mu 纵目科技(厦门)有限公司

Project ZM_CAM_SENSOR_X3C-CSP_935_25249_V10		Document Number 1002Y	
Size B	Title 03:MAX96717F	Designer michael	Rev 11
Date: Tuesday, August 03, 2021	Sheet 03 of 05		