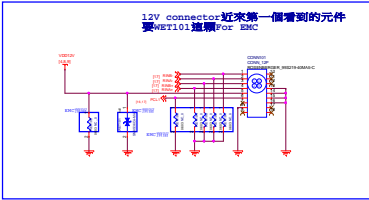
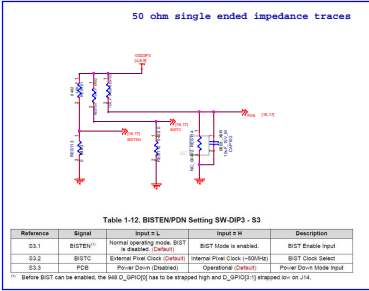


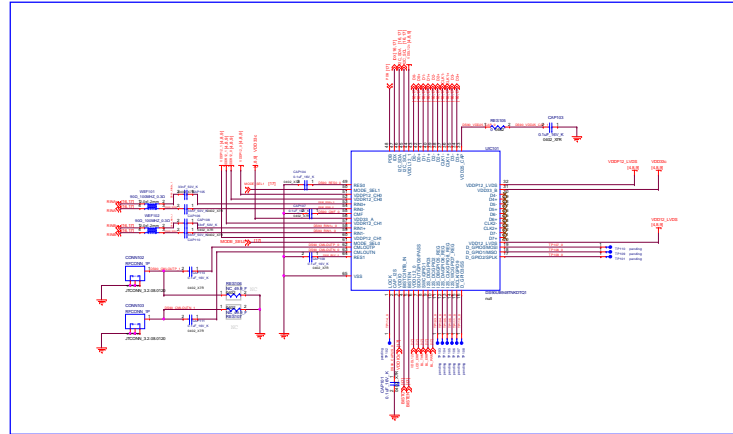
HSD CONN



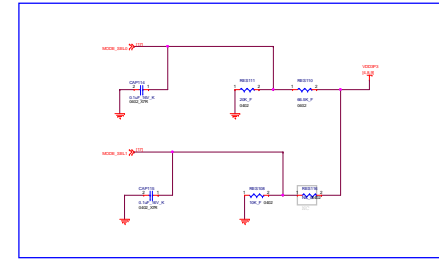
PDB Control



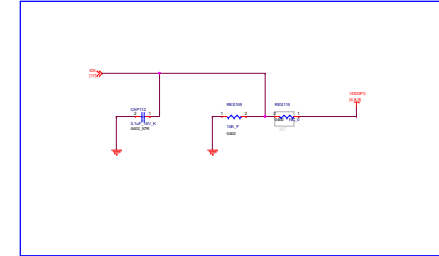
Controller



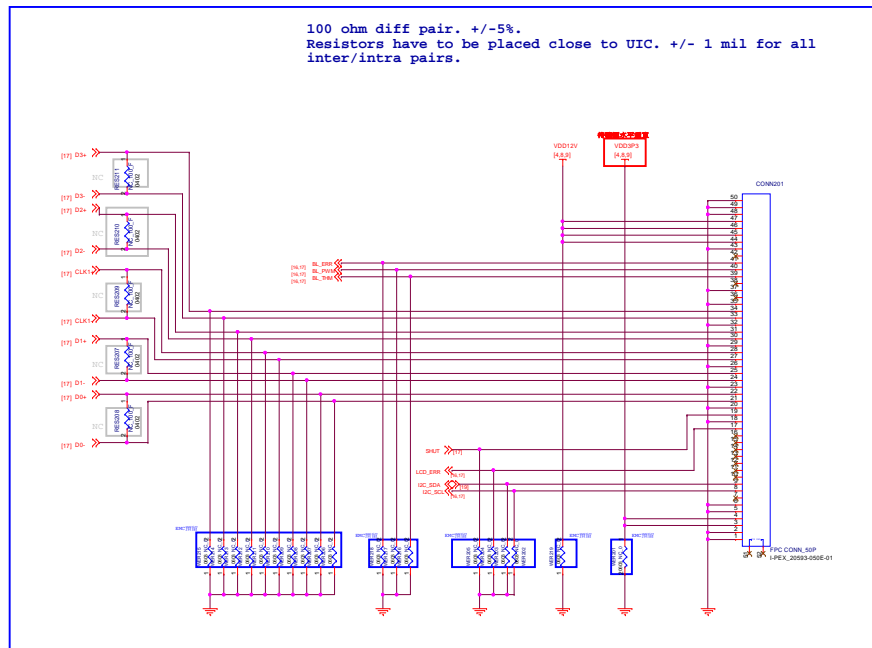
MODE_SEL0/1 Control



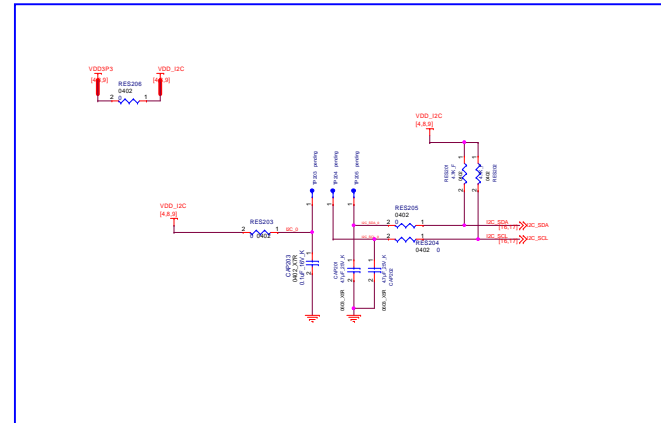
IDX Control



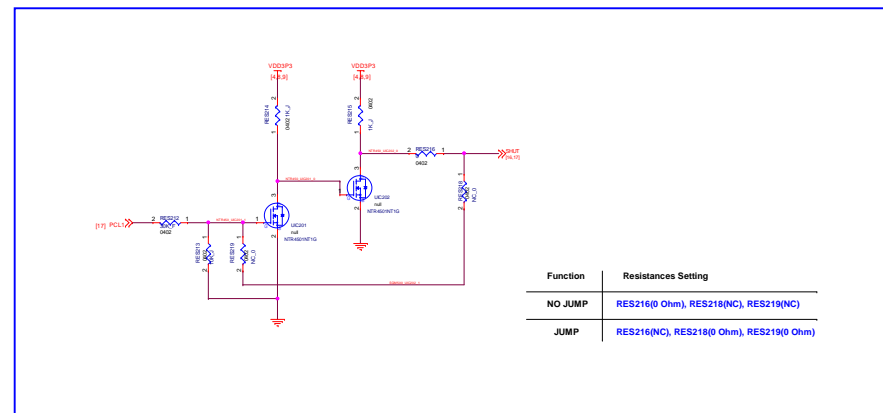
FPC CONN



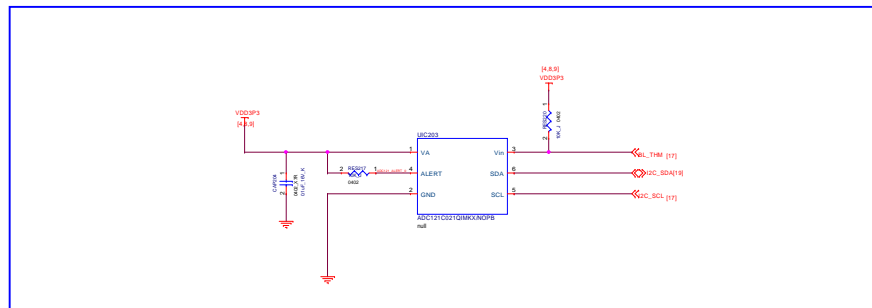
External I2C connection



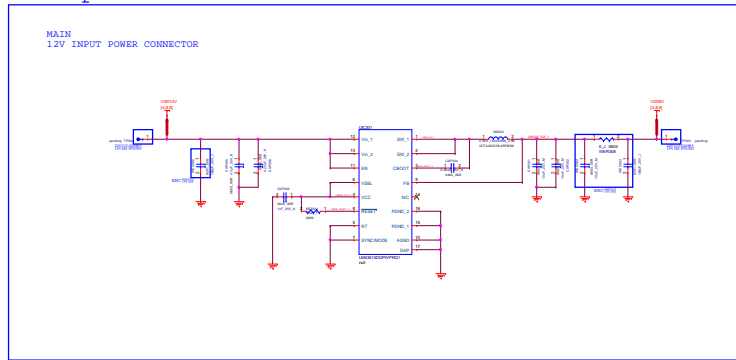
N-MOFET_Confirm PCL1



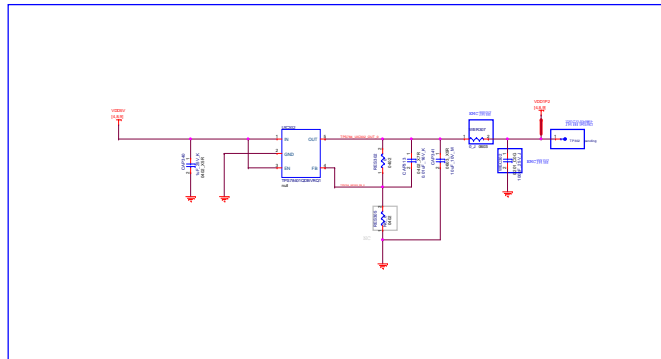
ADC converter to I2C



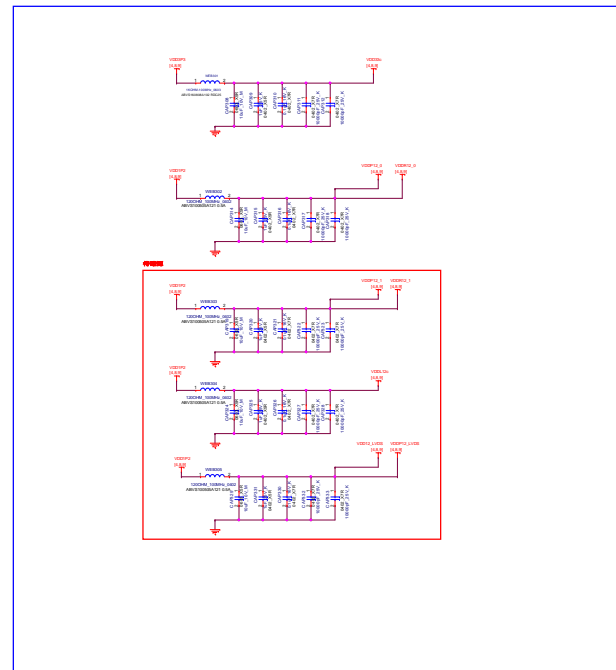
Main power



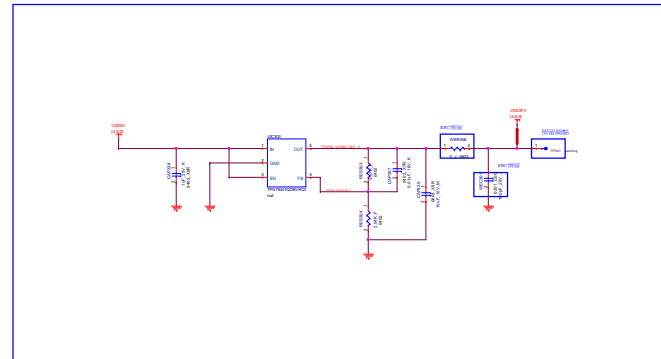
1V2_Power Supply



需靠近至UIC101,並放置在Bottom layer



3V3_Power Supply



需靠近至UIC101,並放置在Bottom layer

