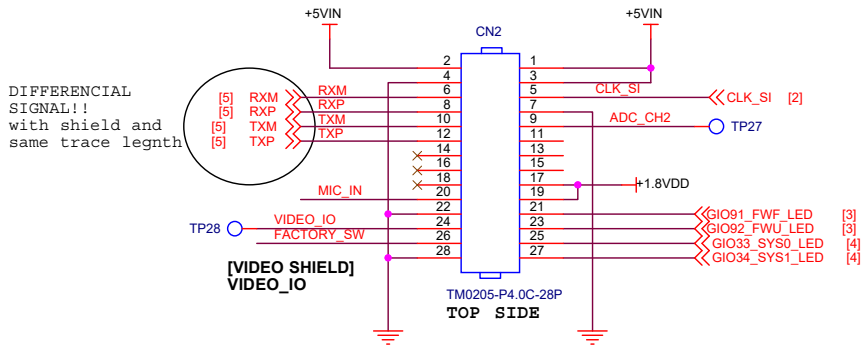
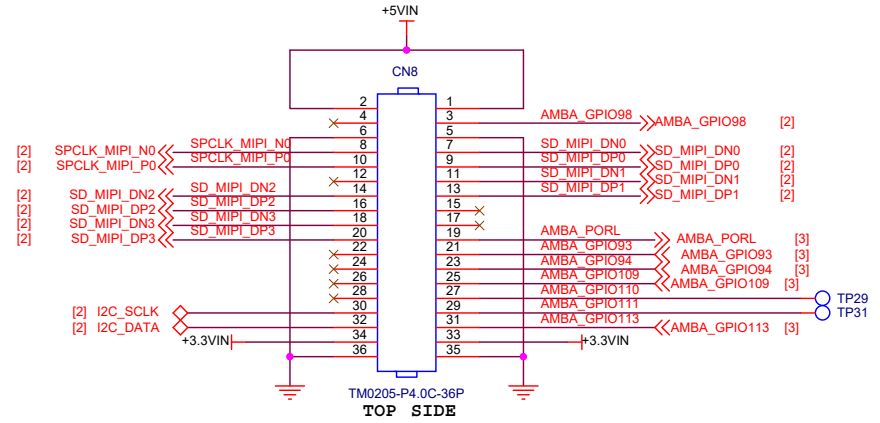




# TO CPU BOARD



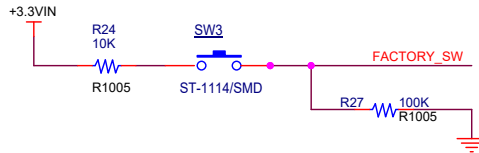
ETHERNET/MIC/LED/GPIO



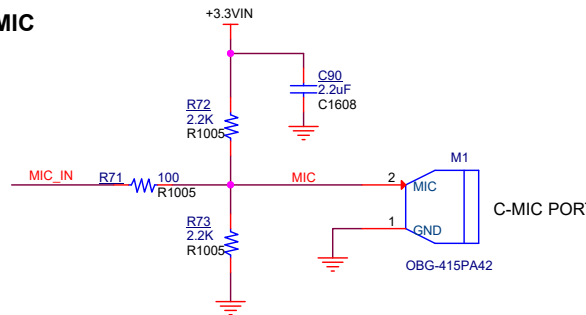
VIDEO CSI2/I2C/GPIO

- AMBA\_GPIO93 : SENSOR\_IN
- AMBA\_GPIO94 : ALARM\_OUT
- AMBA\_GPIO98 : OV2718\_RESET
- AMBA\_GPIO109 : SERIAL-LOCK INFO
- AMBA\_GPIO110 : RESERVED[IR-LED]
- AMBA\_GPIO111 : RESERVED[IR-CUT]
- AMBA\_GPIO113 : OV2718\_PWDN

## FACTORY SWITCH



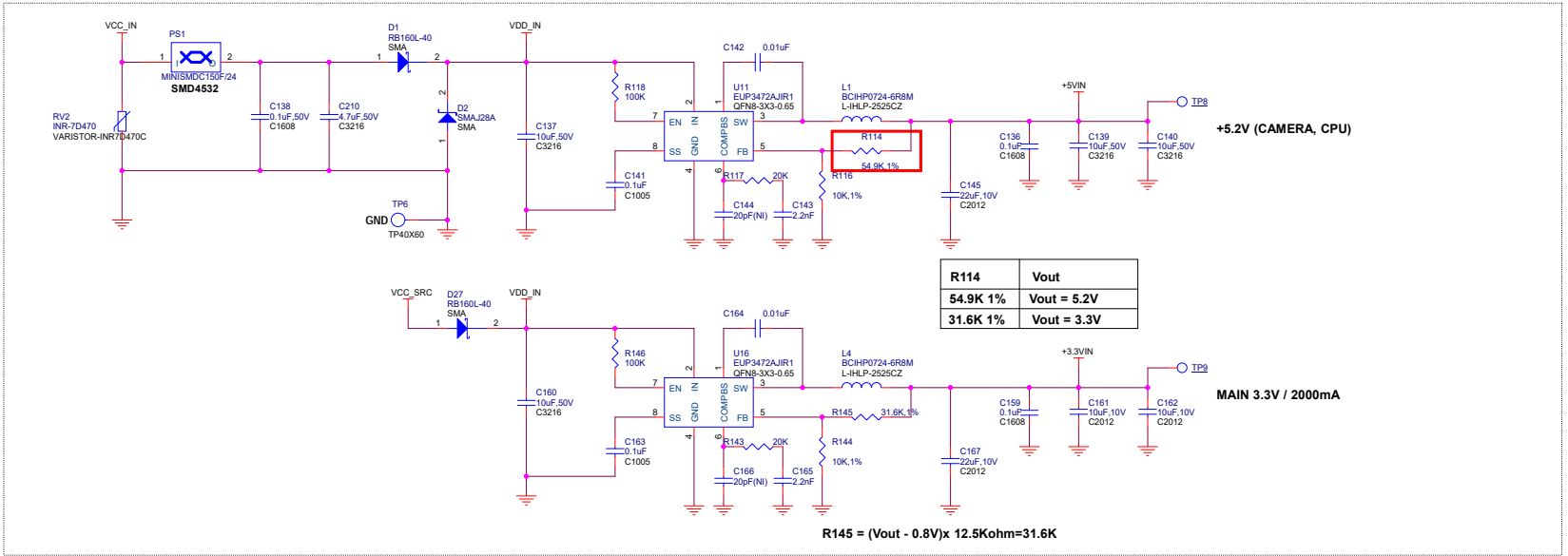
## C-MIC



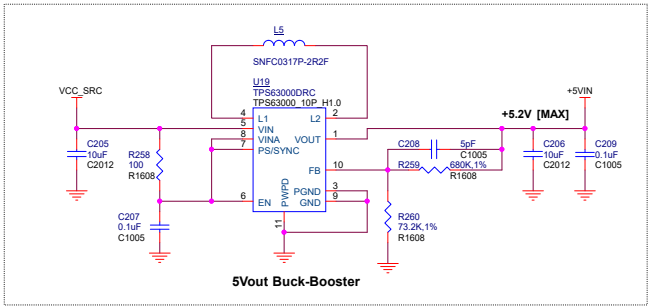
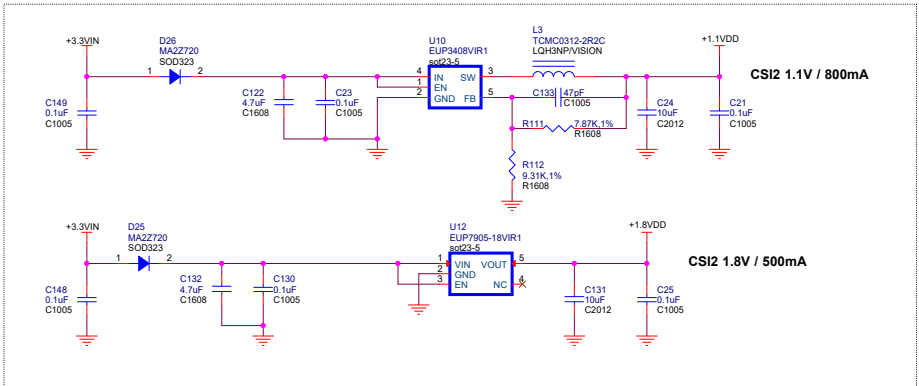
[2019.05.31]  
ADDED TP31  
CHANGED NET +5VIN

<b>VISIONBLUE - WELDEX</b> <small>Original Equipment Manufacturer of CCTV Cameras, DVRs &amp; LCD Monitors</small>		
Title		
<b>IP84ML2MA_CSI2DES BOARD</b>		
Size	Page Name	Rev
B	03 INTERFACE CONN	V02
Date:	Thursday, June 20, 2019	Sheet 3 of 6

### 500KHz BUCK REGULATOR



### LDOs for Peripheral Power



[2019.05.31]  
 ADDED U19 BUCK-BOOSTER  
 ADDED RV2,D27,C210