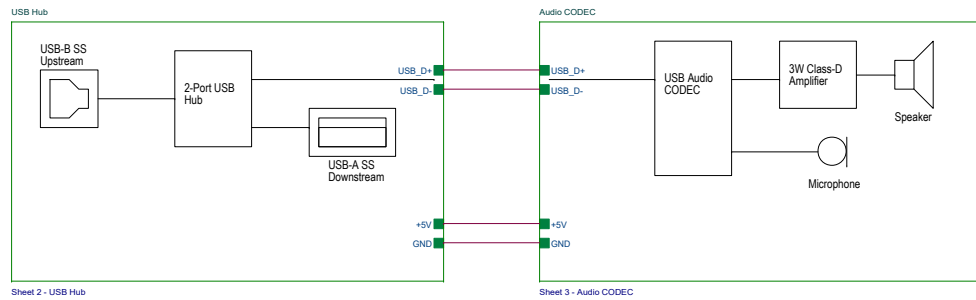


REVISIONS				
REV	ECO	DESCRIPTION	DRW BY	DATE
00	ECO-001904	Release for design review	JDF	05/17/24



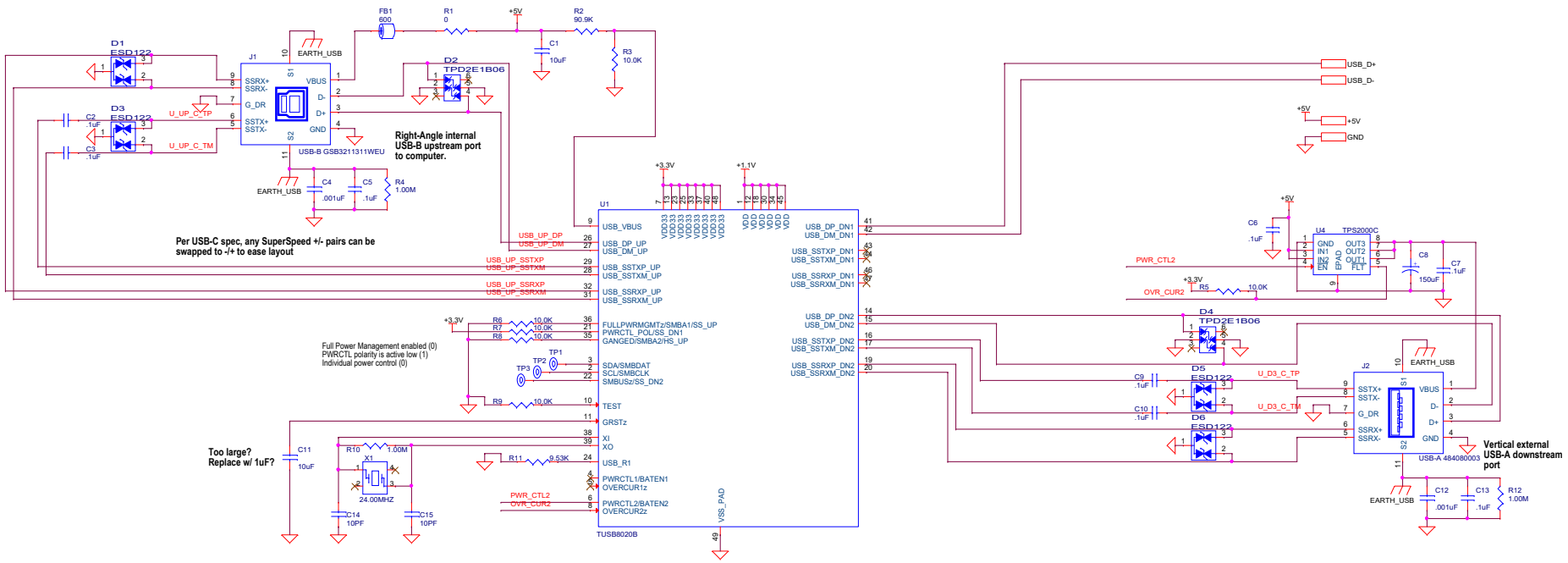
CONFIDENTIAL - Copyright X-Nav Technologies, LLC. All rights reserved. This document may not be reproduced or distributed without express written permission of an X-Nav Technologies Company officer. All hard copies should be checked against the current electronic version within the Document Control System prior to use and destroyed promptly thereafter. All hard copies are considered uncontrolled documents.

DESCRIPTION  
**Column USB Speaker Board Top Level**

1555 Bustard Rd, Ste 75  
Lansdale, PA 19446 USA  
Ph: 267-436-0420  
www.x-navtech.com

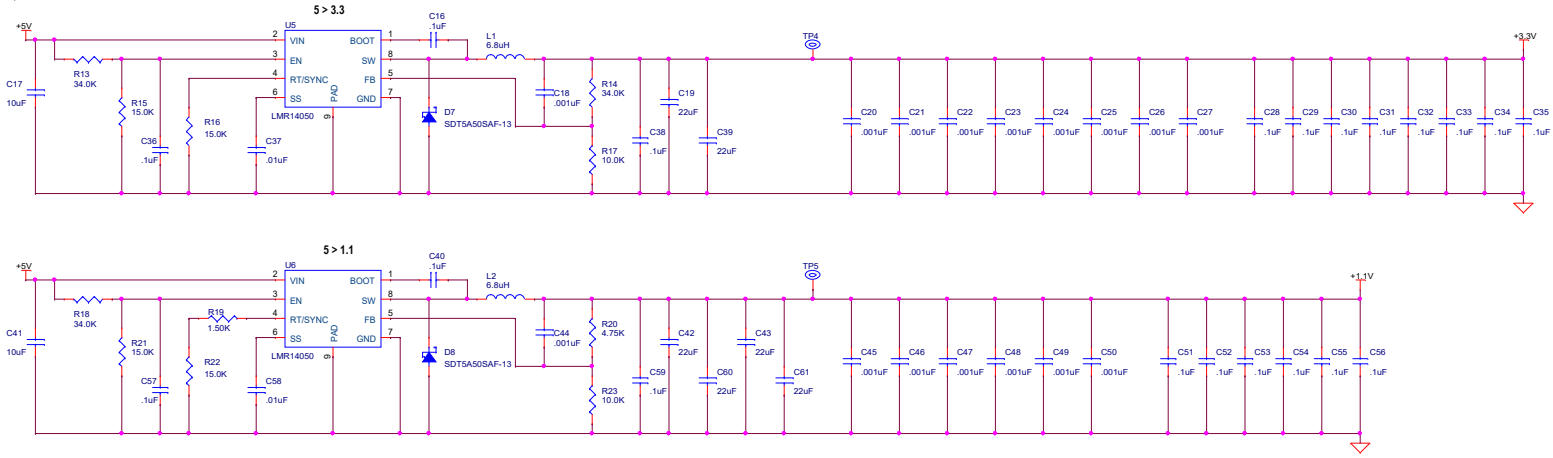
DWG NO. **DOC-002113**

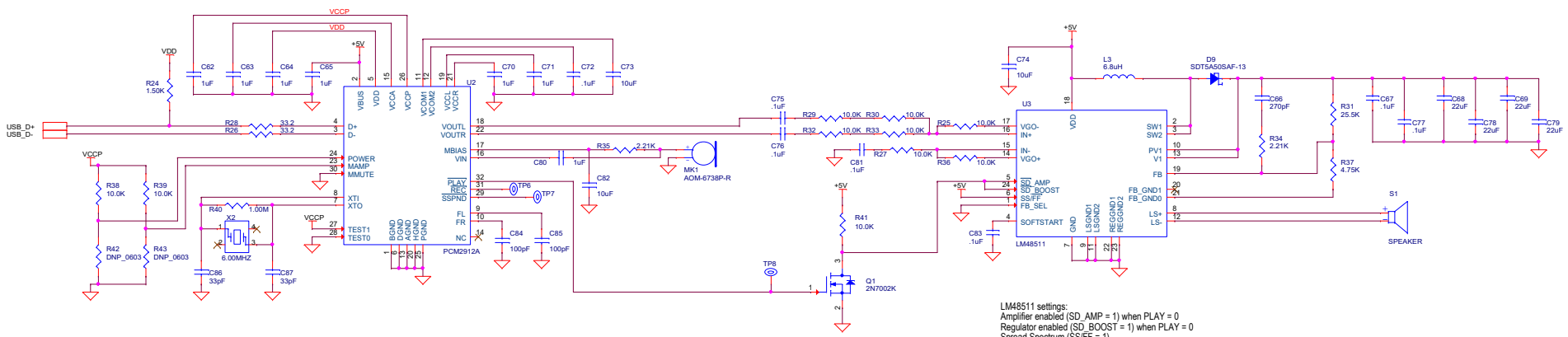
SIZE **C** SHEET **1** OF **3** REVISION **00**



LMR14050 EN threshold = 1.2V  
 5V > 3.3V and 1.1V when +5V reaches 3.92V  
 TUSB8020B wants 1.1V and 3.3V up 3ms before reset deasserted

3.3V Reg switching freq = 1.56Mhz  
 1.1V Reg switching freq = 1.42Mhz





LM48511 settings:  
 Amplifier enabled (SD\_AMP = 1) when PLAY = 0  
 Regulator enabled (SD\_BOOST = 1) when PLAY = 0  
 Spread Spectrum (SSFF = 1)  
 Feedback 0 (FB\_SEL = 0)

