
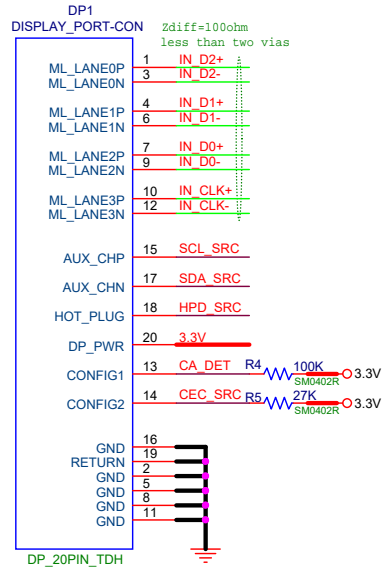


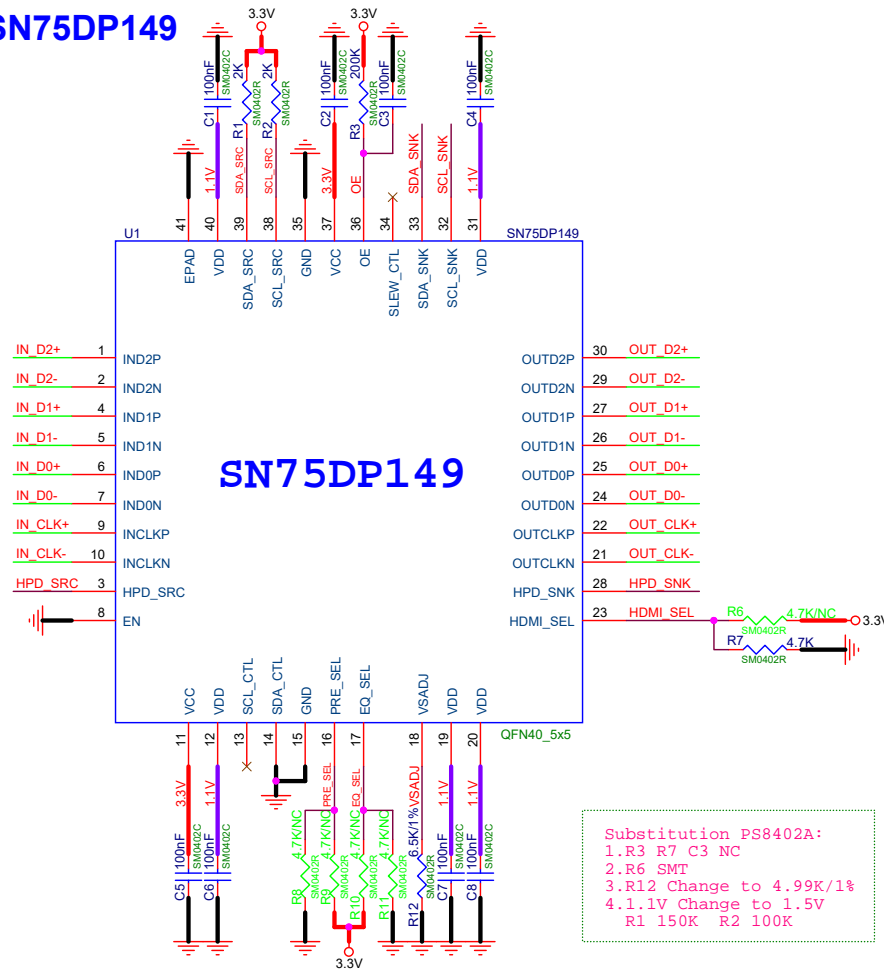
Revision	Release Date	Remark
V1.0	2020/06/05	Draft Version

	深圳驰越科技有限公司 CY Technology Co., Ltd.	09/F, Block 1, Chuanghui International Center, Bantian, Longgang District, Shenzhen
Title	Revision Andy	
Size A	Document Number <Doc>	Rev V1.0
Date: Saturday, June 06, 2020 Sheet 1 of 2		

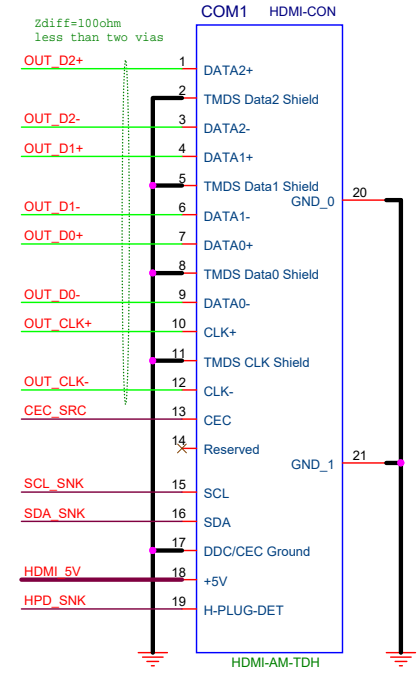
DP IN



SN75DP149



HDMI Conn.

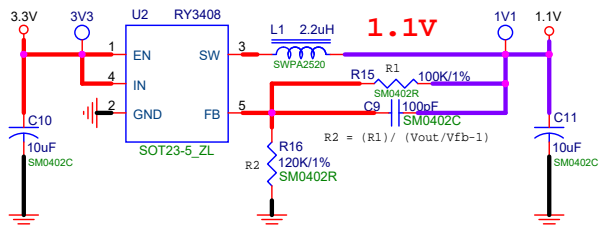


HDMI OUT
HDMI Source Receptacle Connector

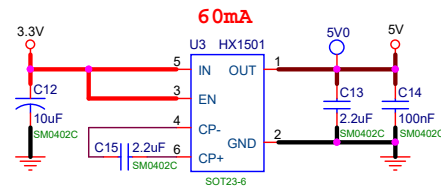
MARK

- M1 MARK-TOP
- M2 MARK-BOTTOM
- M3 MARK-TOP
- M4 MARK-BOTTOM

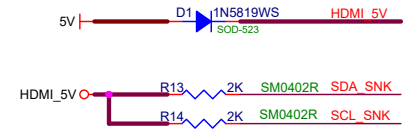
External 3.3V to 1.1V SWR is required.



External 3.3V to 5V SWR is required.



Others



深圳驰越科技有限公司 CY Technology Co., Ltd.	09/F, Block 1, Chuanghui International Center, Bantian, Longgang District, Shenzhen	Engineer Andy
	Title SN75DP149_Reference_Design	
Size B	Document Number <Doc>	Rev V1.0
Date:	Saturday, June 06, 2020	Sheet 2 of 2