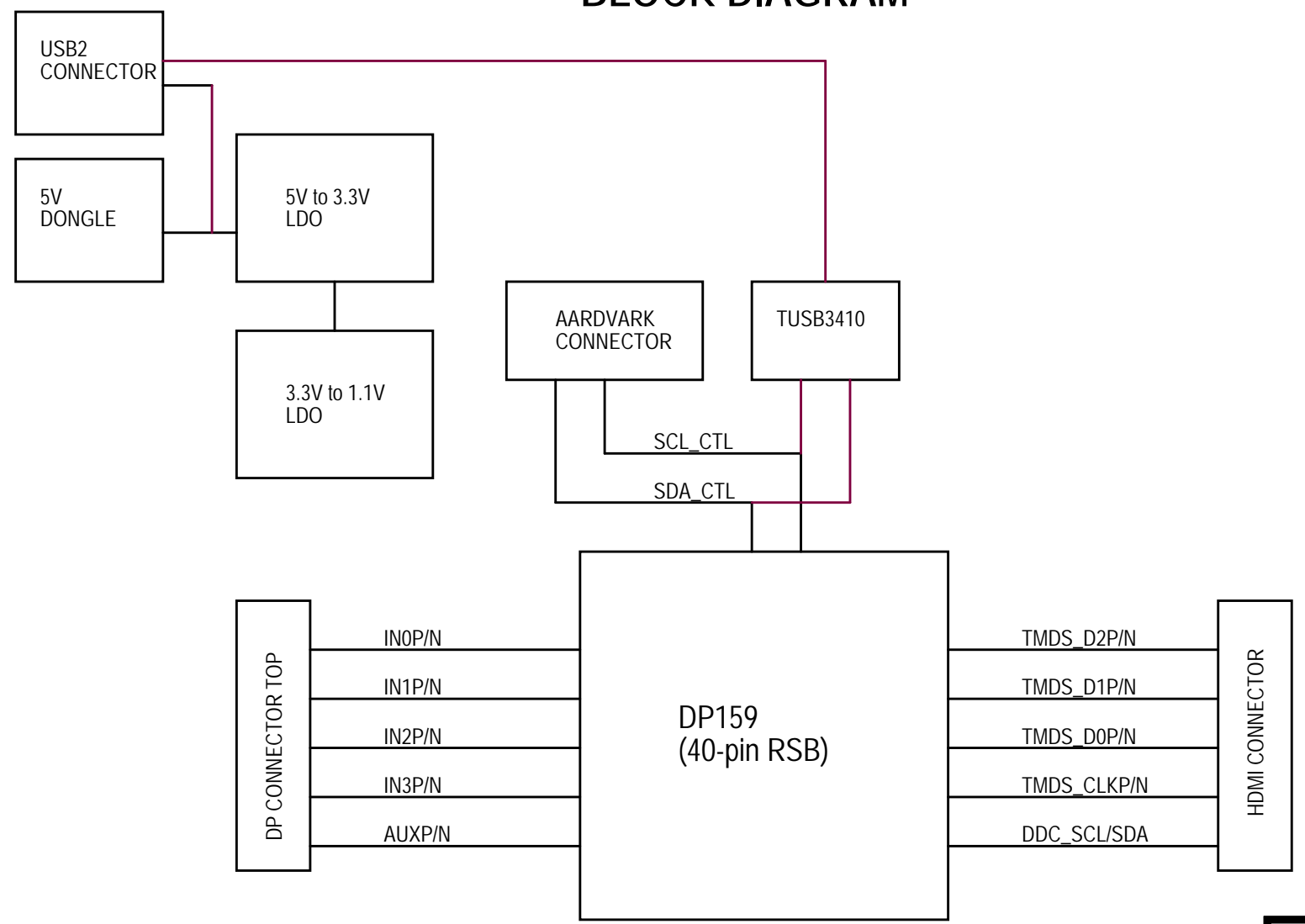



NOTES:

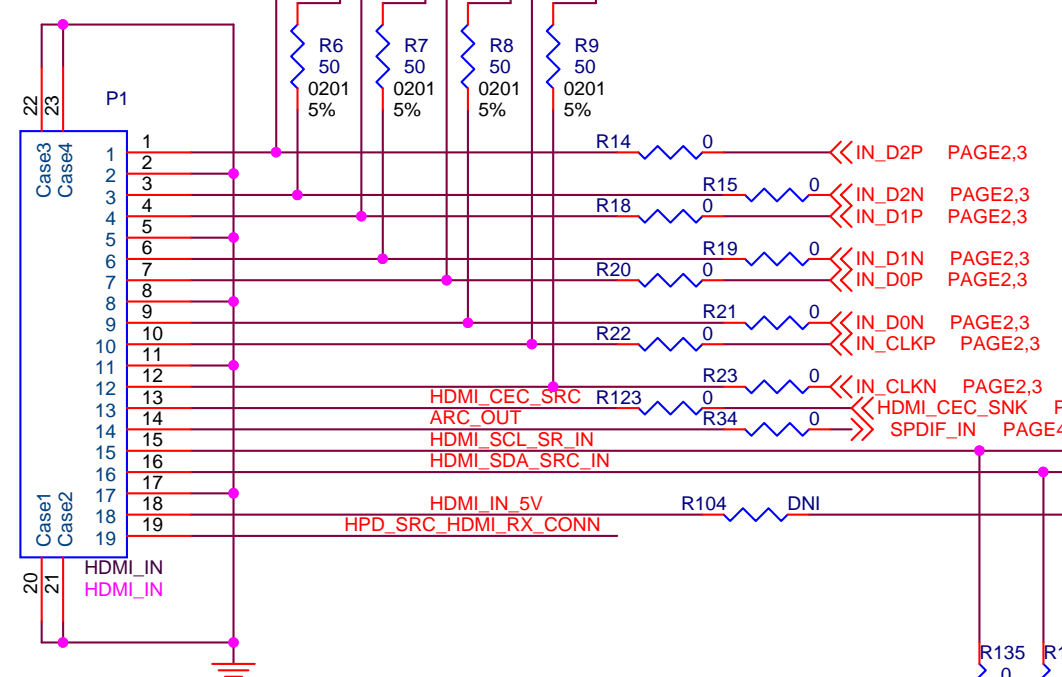
- 100-ohm differential impedance for HDMI and DP differential pairs.

BLOCK DIAGRAM



 TEXAS INSTRUMENTS		
DP159RSB_EVM REV B1		
SIZE A	DWG NO:	
SCALE: NONE	Monday, July 27, 2015	Sheet 1 of 8

HDMI RX

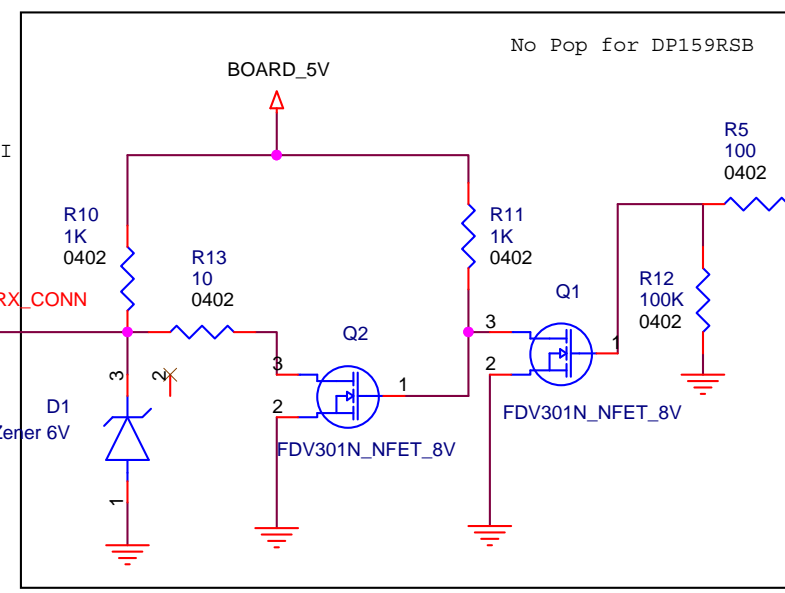


Pop 0 ohm series on IN_Dxx lines for DP159 thru HDMI
No pop 0 ohm series on IN_Dxx lines for DP159

HDMI Connector P1 is mounted on bottom of board NOT POPULATED

Pop 50 ohm pullups on IN_Dxx lines for DP159 thru HDMI
No pop 50 ohm pullups on IN_Dxx lines for DP159

JP 1-2 for DP159 thru HDMI
NC for DP159

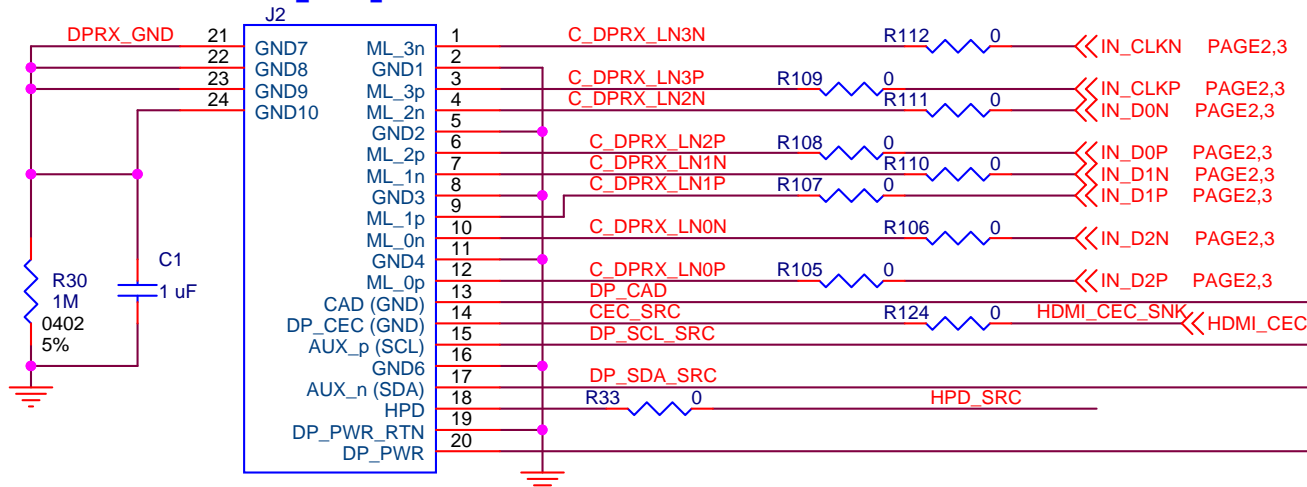


No Pop for DP159RSB

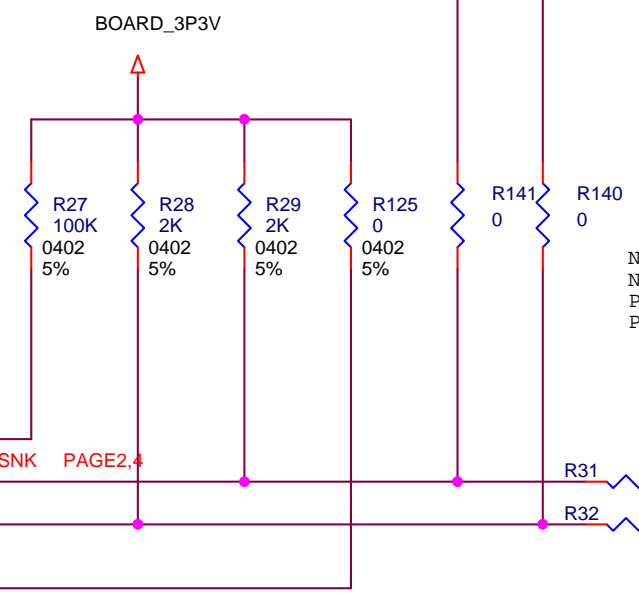
Pop 2K resistors on R16, R17, pop R24, R25, no pop R135, R134, R136, R126 for DP159 thru HDMI, DDC on
No pop R16, R17, R24, R25, pop R135, R134, R136, R126 for DP159 thru HDMI, DDC snoop
No pop R16, R17, R24, R25, R134, R135, R136, R126 for DP159, DDC on
No pop R16, R17, R24, R25, R134, R135 pop R126, R136 for DP159, DDC snoop

Pop 0 ohm series on IN_Dxx lines, DP_Sxx_SRC lines for DP159
No pop 0 ohm series on IN_Dxx lines, DP_Sxx_SRC lines for DP159 thru HDMI

DisplayPort++



Display_Port_Connector_Sink_0
DISPLAYPORT IN

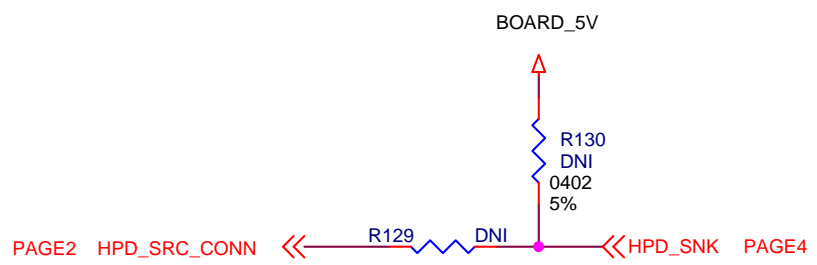
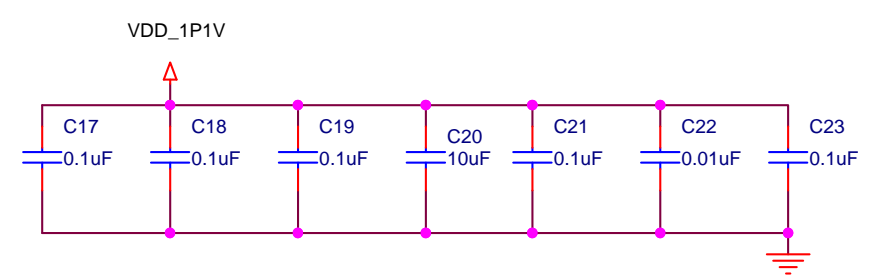
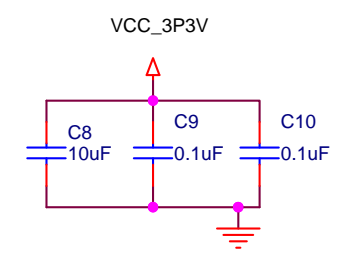
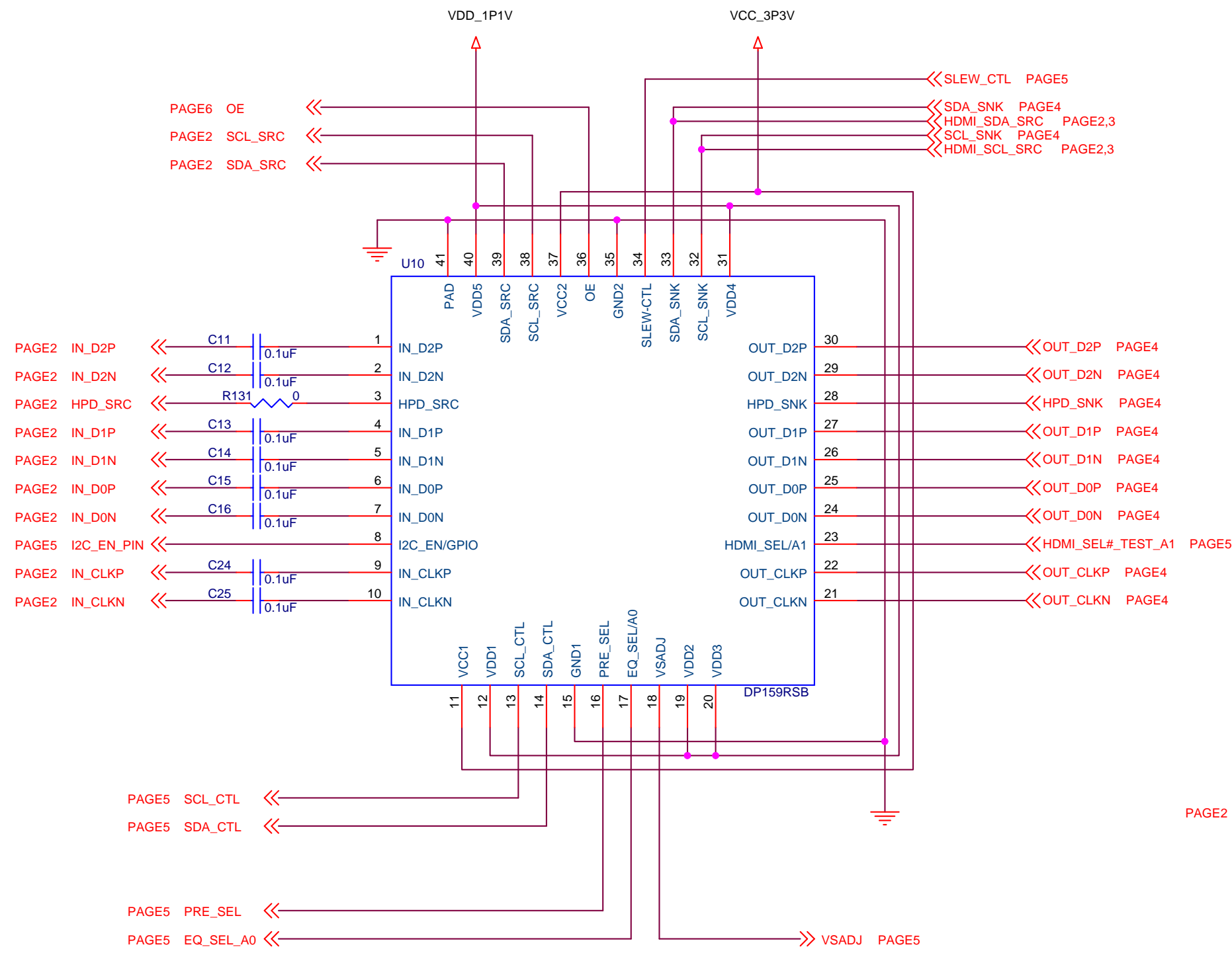


No pop R31, R32, R140, R141 for DP159 thru HDMI, DDC on
No pop R31, R32, R140, R141 for DP159 thru HDMI, DDC snoop
Pop R31, R32 no pop R140, R141 for DP159, DDC on
Pop R140, R141 no pop R31, R32 for DP159, DDC snoop


TEXAS INSTRUMENTS

DP HDMI INPUT CONNECTORS

SIZE B	DWG NO:
SCALE: NONE	Tuesday, July 28, 2015
Sheet 2	of 8

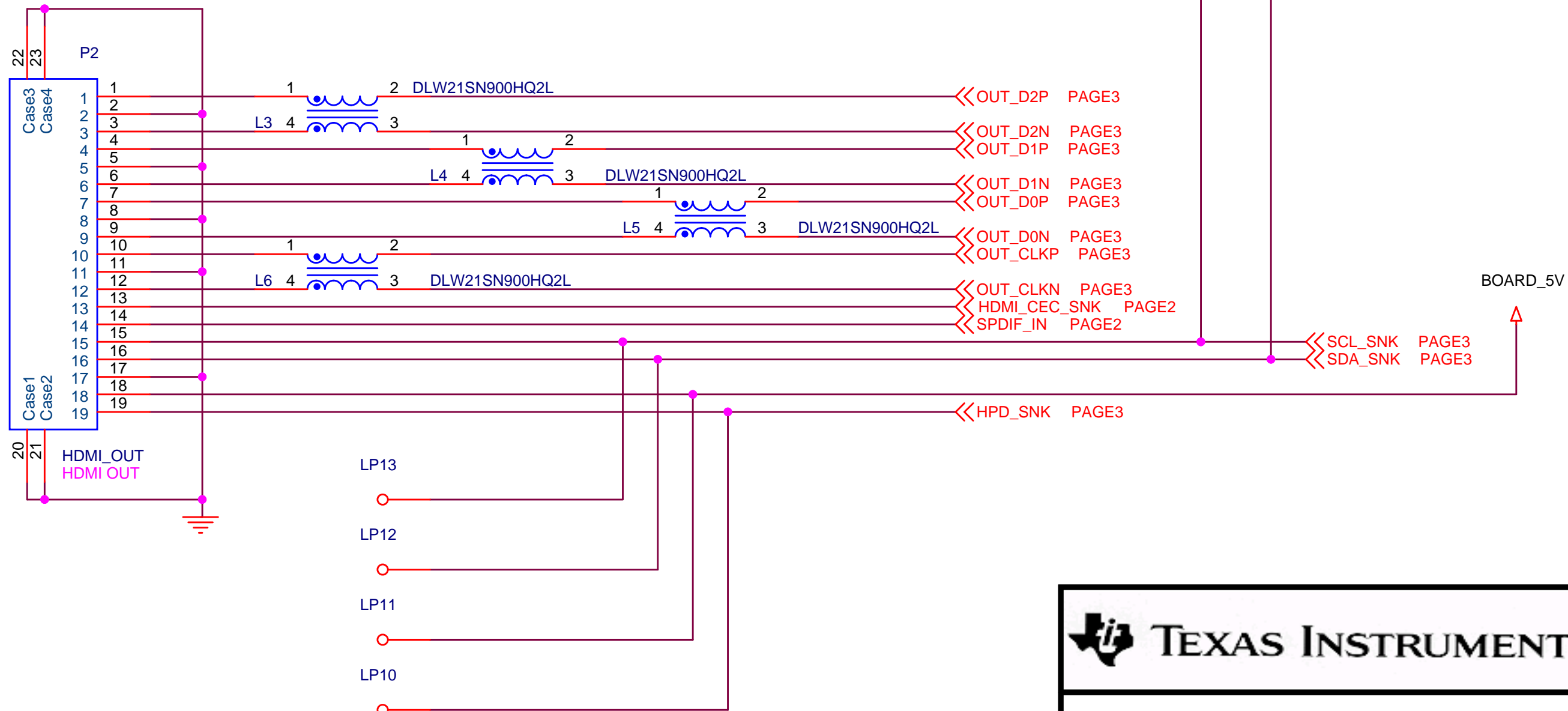



Pop R131, no pop R129, R130 for HPD on
 No pop R131, pop R129, R130 for HPD snoop only

 TEXAS INSTRUMENTS	
DP159 RSB	
SIZE B	DWG NO:
SCALE: NONE	Monday, July 27, 2015
Sheet 3	of 8

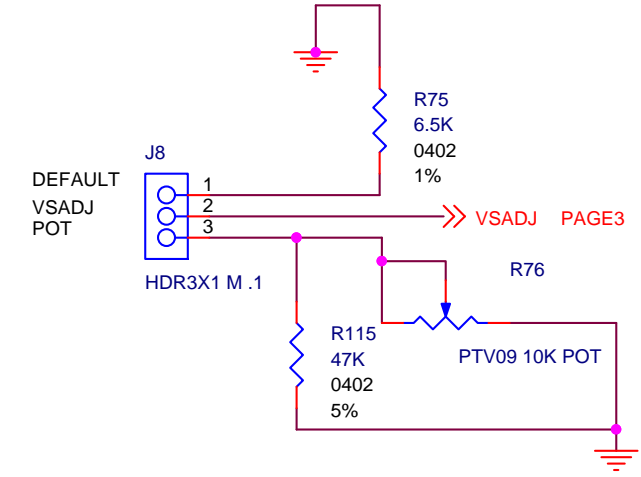
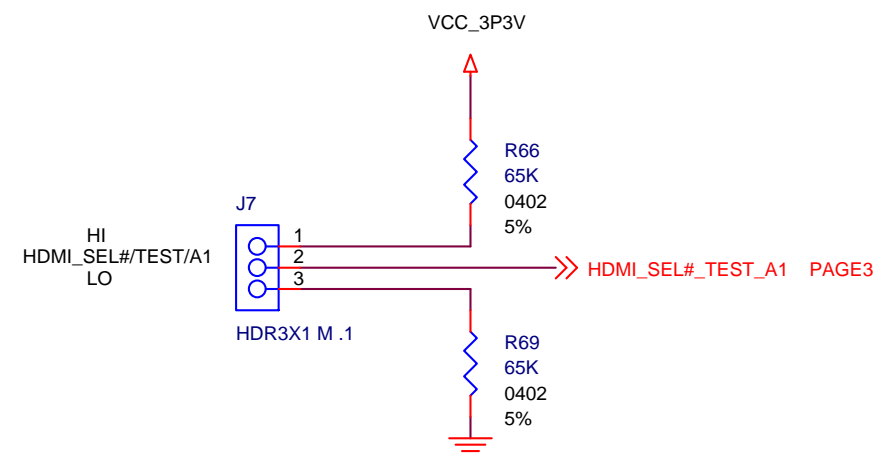
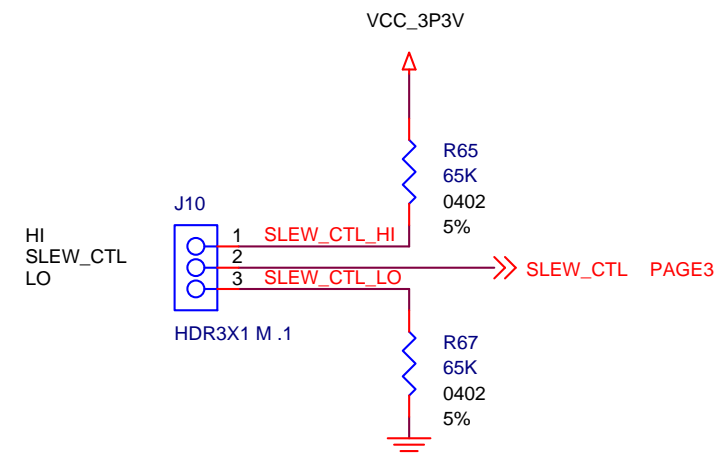
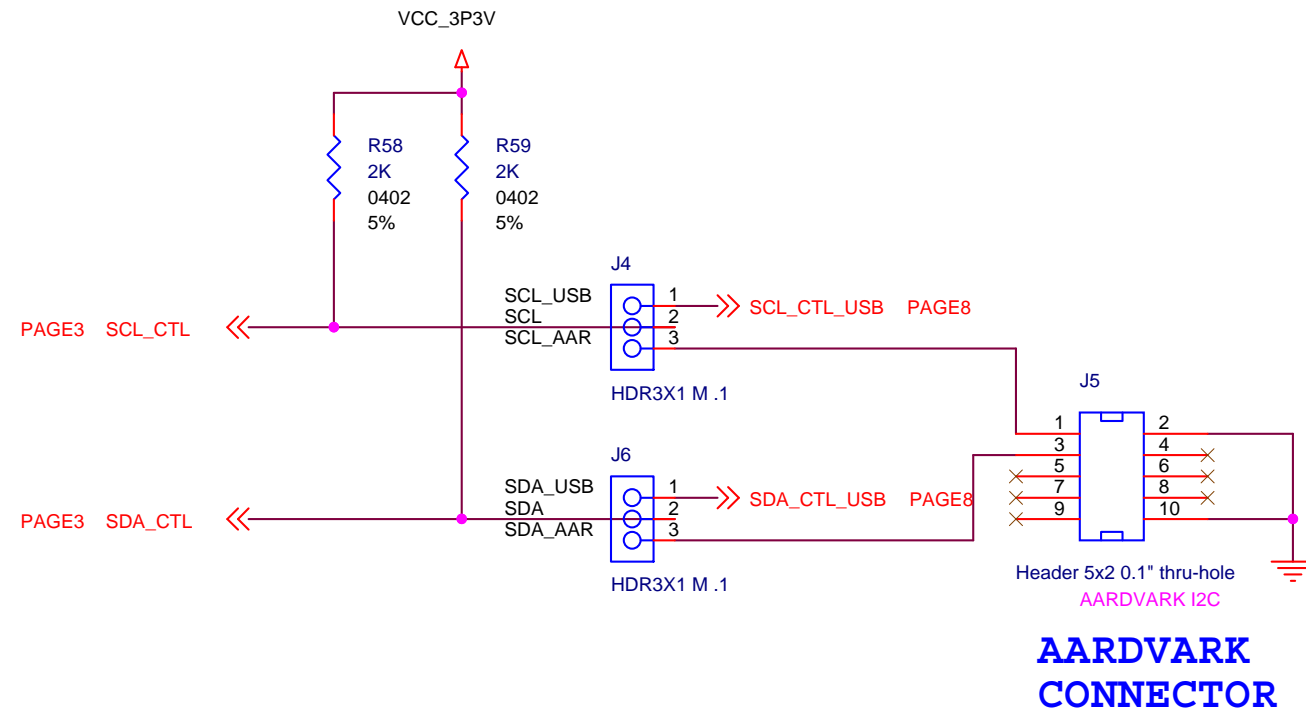
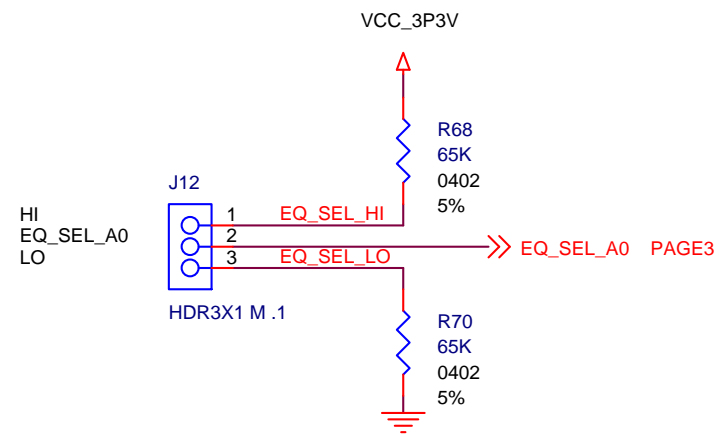
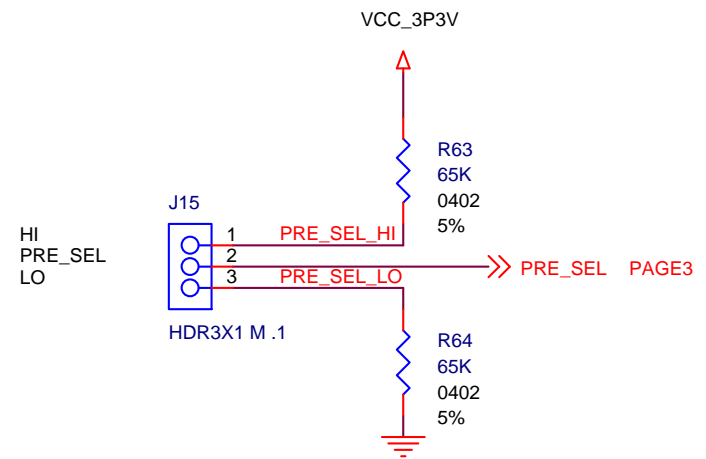
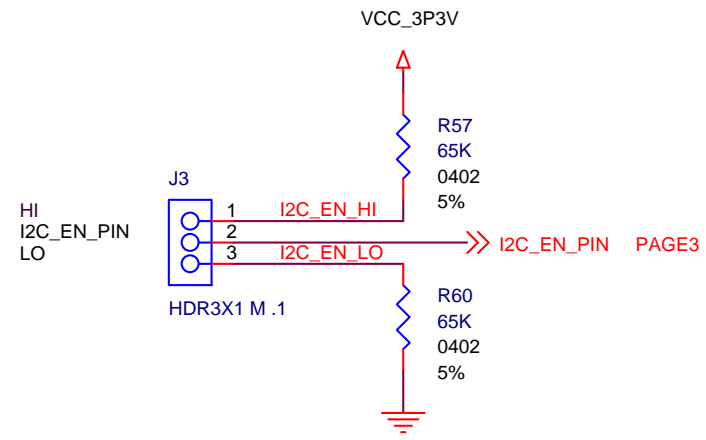
HDMI TX

Pop 2K resistors on R45, R46 for DP159 thru HDM, DDC on
 Pop 47K resistors on R45, R46 for DP159 thru HDMI, DDC snoop only
 Pop 2K resistors on R45, R46 for DP159



 TEXAS INSTRUMENTS	
HDMI TX CONNECTOR	
SIZE A	DWG NO:
SCALE: NONE	Monday, July 27, 2015
Sheet 4	of 8

Three place switches - hi, lo, no connect
 Sampled at POR

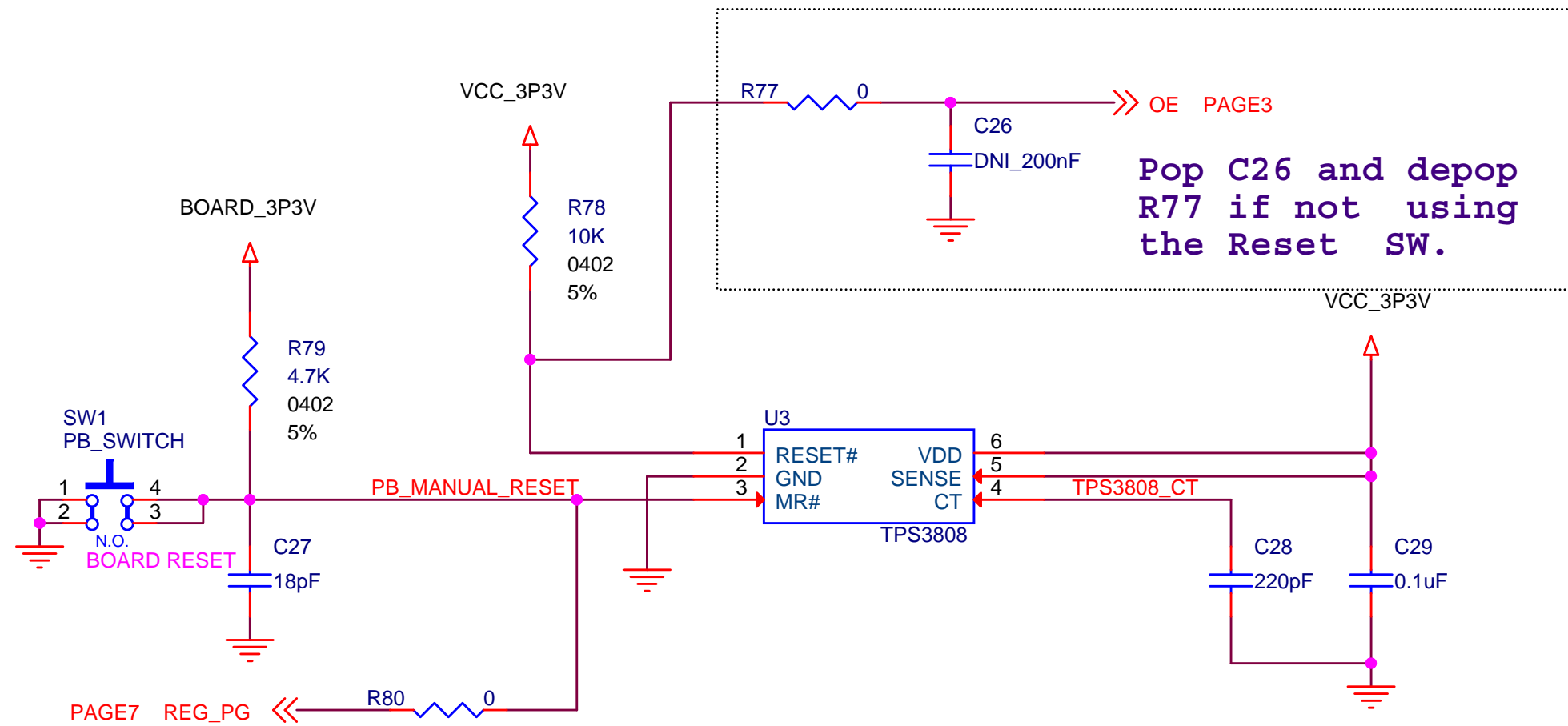



TEXAS INSTRUMENTS

SELECT OPTIONS

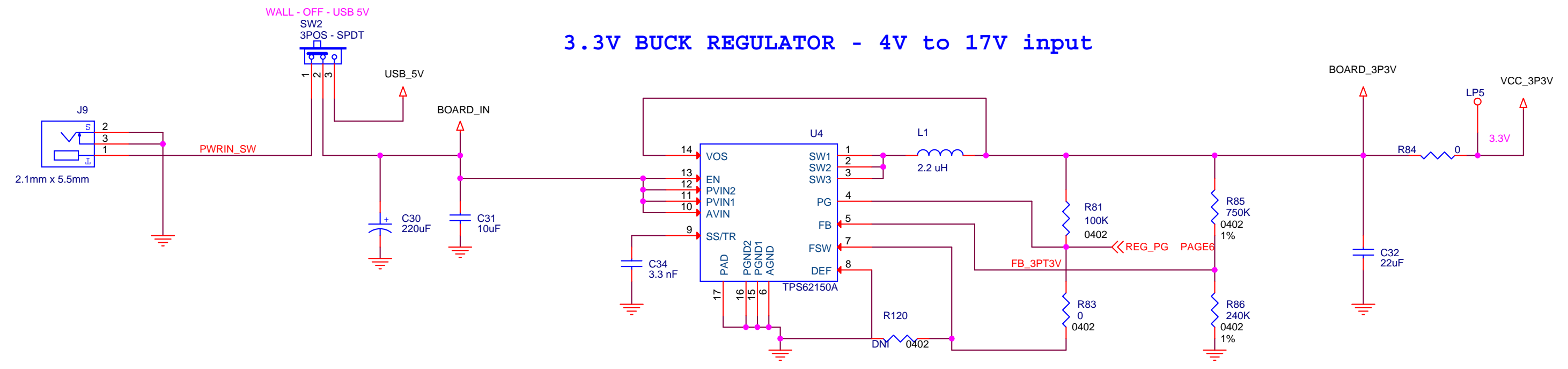
SIZE B	DWG NO:
SCALE: NONE	Monday, July 27, 2015
Sheet 5	of 8

RESET CIRCUIT

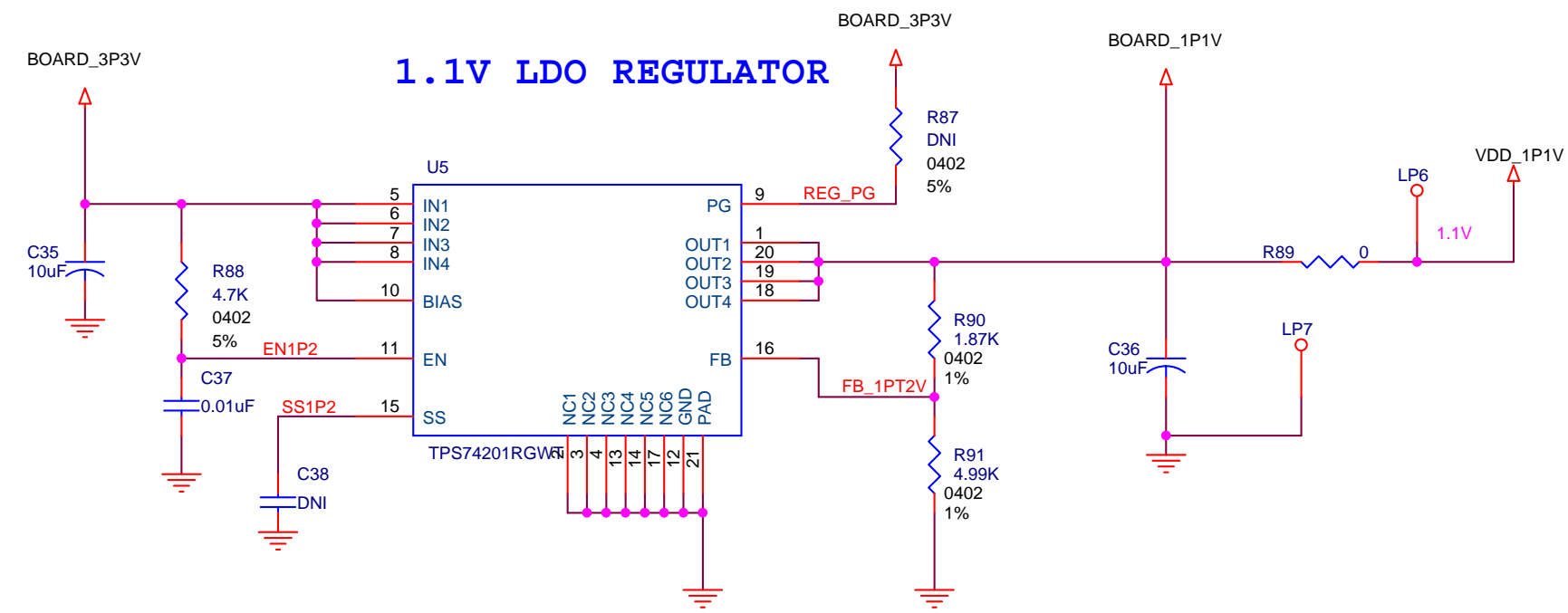


 TEXAS INSTRUMENTS	
RESET	
SIZE A	DWG NO:
SCALE: NONE	Monday, July 27, 2015
Sheet 6	of 8

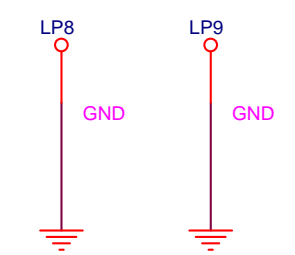
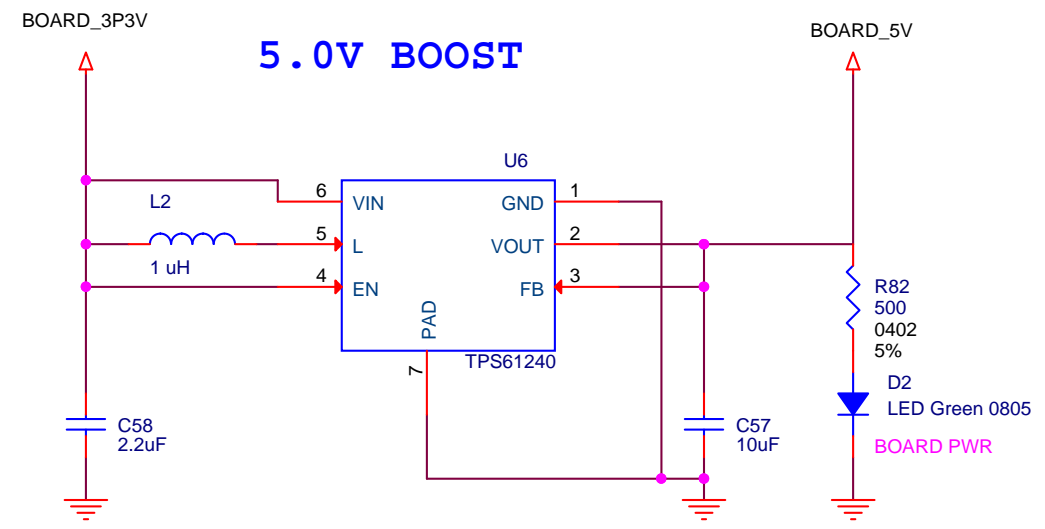
3.3V BUCK REGULATOR - 4V to 17V input



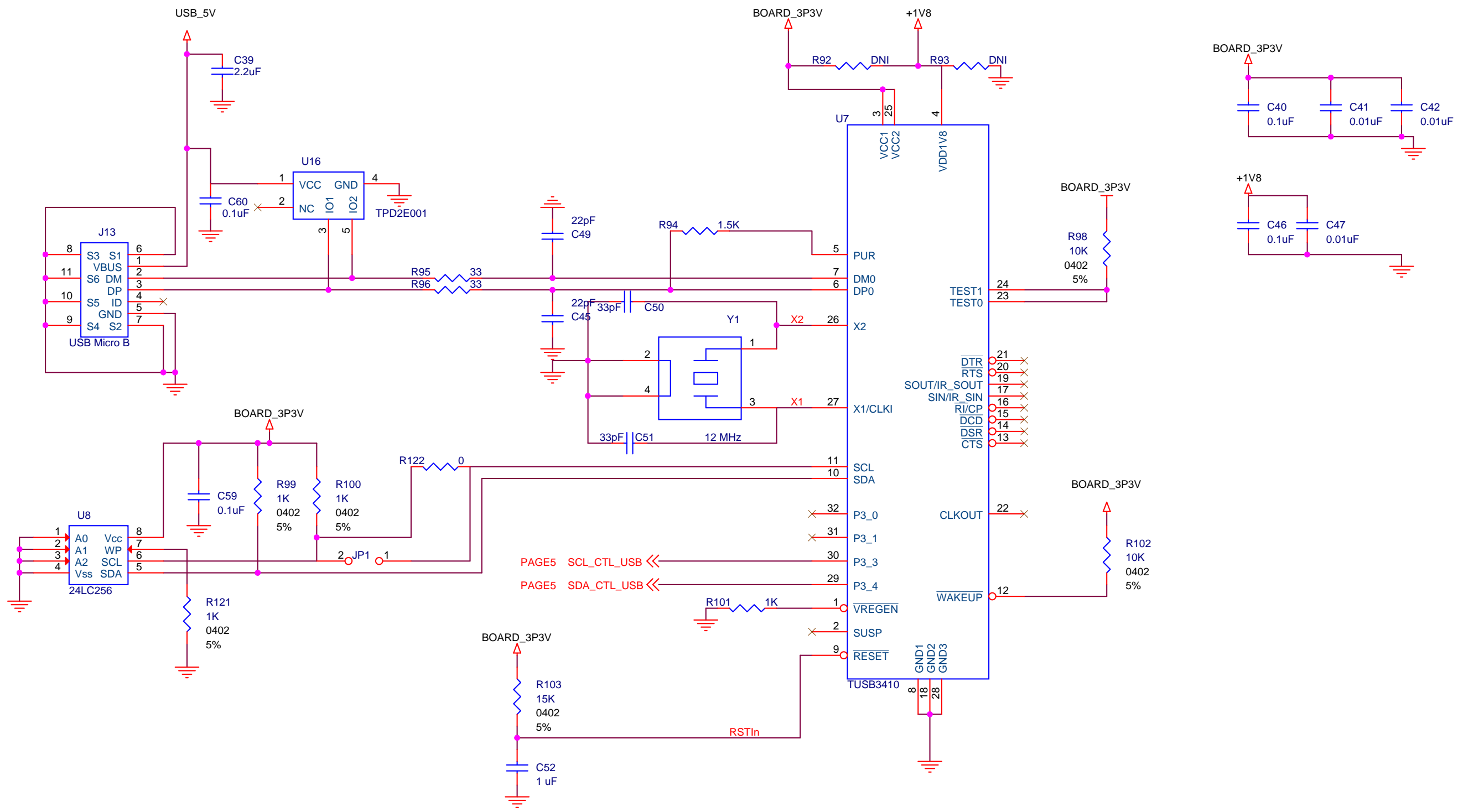
1.1V LDO REGULATOR




5.0V BOOST



TEXAS INSTRUMENTS	
1.1V AND 3.3V REGULATORS	
SIZE B	DWG NO:
SCALE: NONE	Monday, July 27, 2015
Sheet 7	of 8



 TEXAS INSTRUMENTS	
TUSB3410	
SIZE B	DWG NO:
SCALE: NONE	Monday, July 27, 2015
Sheet 8	of 8