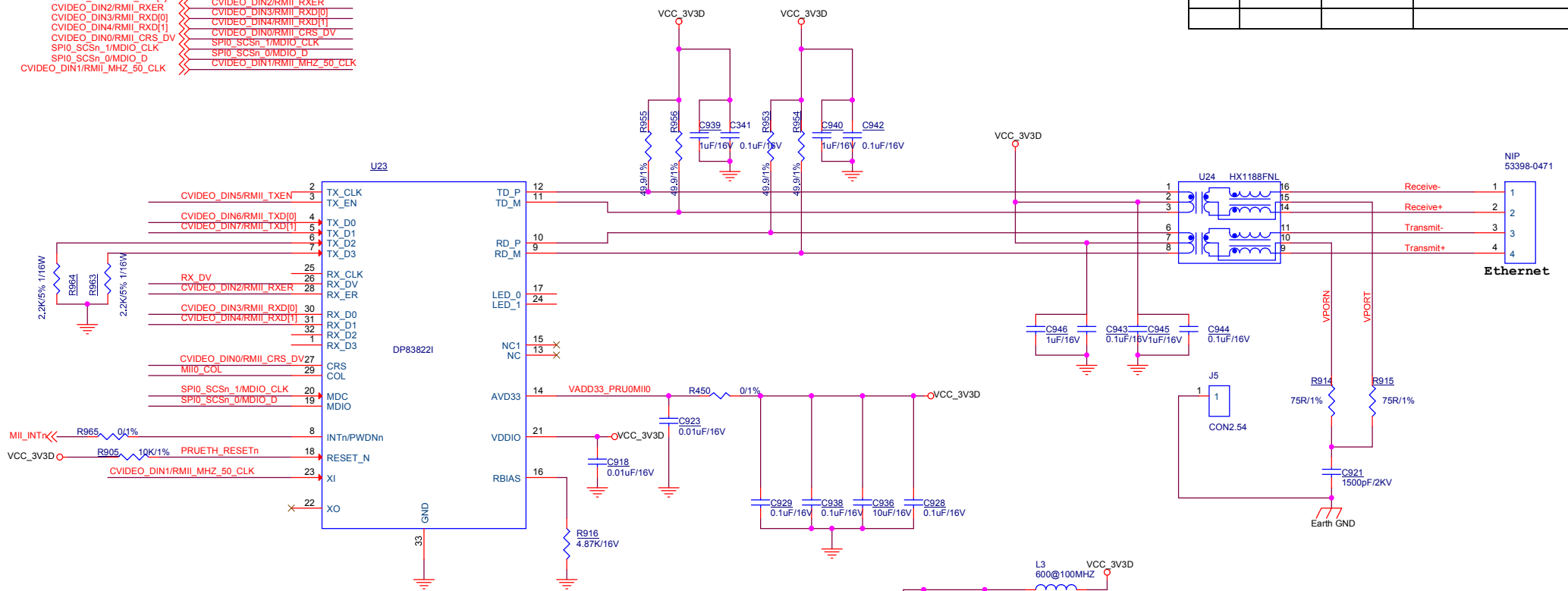


REV	DATE	SIGN	DESCRIPTION

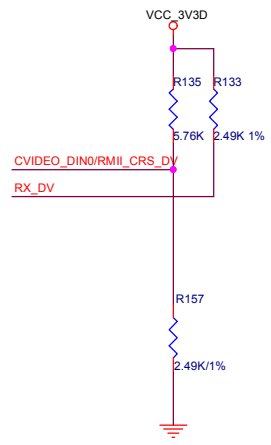
THIS DOCUMENT IS SUBJECT TO CHANGE WITHOUT NOTICE. IT IS CONFIDENTIAL AND A PROPERTY OF X-BANG. DISCLOSURE TO THIRD PARTY HAS TO BE AUTHORIZED BY X-BANG.

- CVIDEO_DIN5/RMII_TXEN << CVIDEO_DIN6/RMII_TXD[0]
- CVIDEO_DIN6/RMII_TXD[0] << CVIDEO_DIN7/RMII_TXD[1]
- CVIDEO_DIN7/RMII_TXD[1] << CVIDEO_DIN2/RMII_RXER
- CVIDEO_DIN2/RMII_RXER << CVIDEO_DIN3/RMII_RXD[0]
- CVIDEO_DIN3/RMII_RXD[0] << CVIDEO_DIN4/RMII_RXD[1]
- CVIDEO_DIN4/RMII_RXD[1] << CVIDEO_DIN0/RMII_CRS_DV
- CVIDEO_DIN0/RMII_CRS_DV << SPI0_SCSn_1/MDIO_CLK
- SPI0_SCSn_1/MDIO_CLK << SPI0_SCSn_0/MDIO_D
- SPI0_SCSn_0/MDIO_D << CVIDEO_DIN1/RMII_MHZ_50_CLK
- CVIDEO_DIN1/RMII_MHZ_50_CLK << CVIDEO_DIN1/RMII_MHZ_50_CLK



RMII Master Signaling

RESISTOR STRAPPING

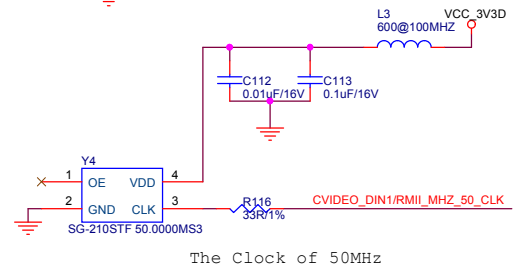


```

PHY ADD = 0000
COL = 1; RX_D0 = 1;RX_D1= 1;RX_D2 = 1;
Modes Of Operation:
PHY MODE[3:0] = "0111" All Capable 100M/10M Half / Full
FX_EN = 0; AN_EN = 1;AN_1 = 1;AN_0=1;
COL = 1; RL = 1.96K PULL UP

```

MAC Interface for RMII Master:
 RGMII_EN = 0; RMII_EN = 1; XI_50 = 1
 RX_DV = 4; RH = 2.49K
 RXER = 4 Default



ETHERNET RESET

PHP_RSTn >>> PRUETH_RESETn

TITLE	xDFPA-T			Shenyang X-BANG Science and Technology Co., Ltd.	ITEM NO	DRAWN BY
SCALE	REV	1.0		Tel: 86-24-31258006 Fax:86-024-31258007	DWG NO	CHECKED BY
SIZE	Custom	SHEET	8 of 15	Add: Suite 2305, Lianying Building, 63 Zhonghua St. Heping District, Shenyang 110000, P.R.China	CUS NO	APPROVED BY