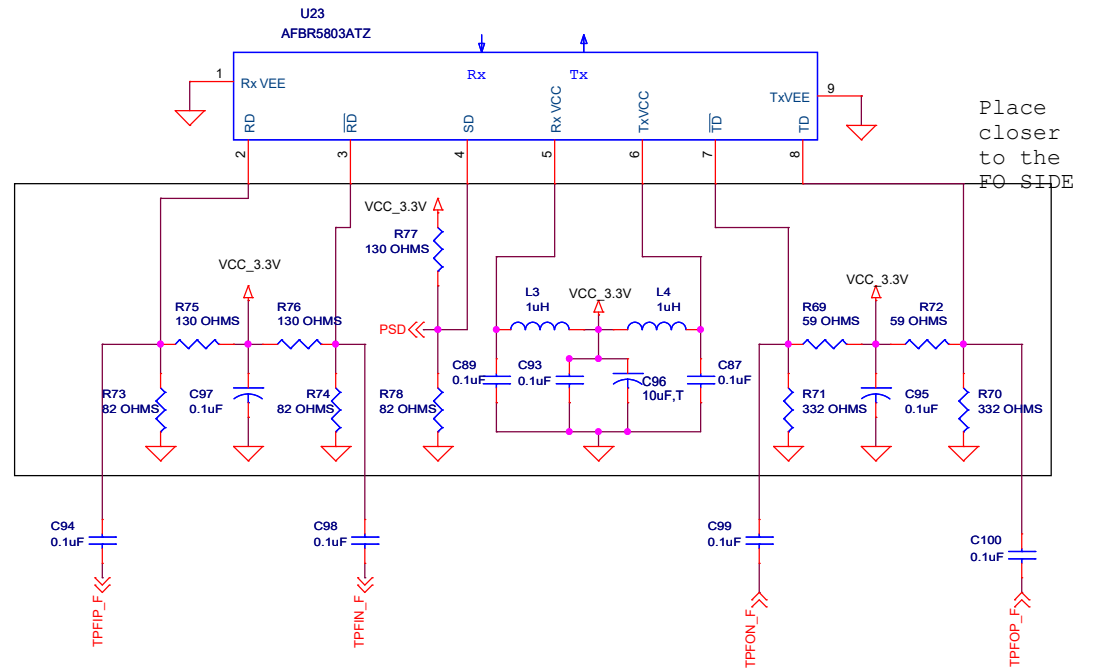
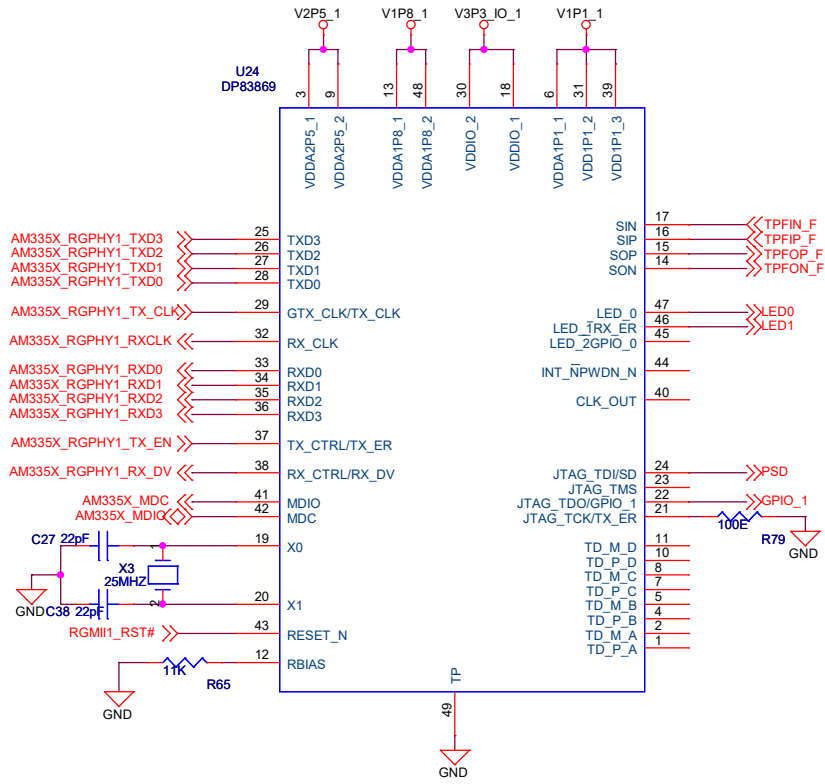
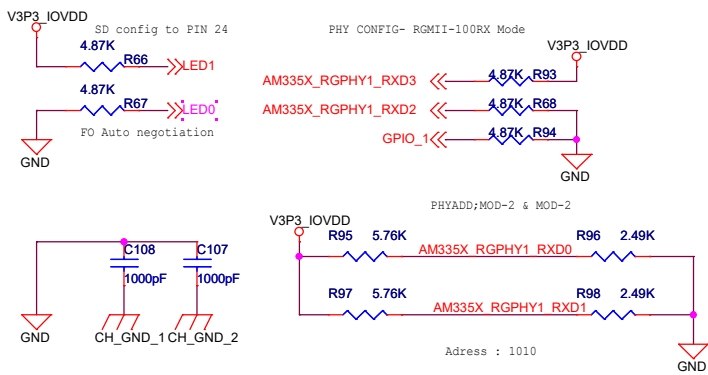


Two Supply Configuration



Place closer to the FO SIDE



Should place Decpas closer to IC Pins    Should place Decpas closer to IC Pins    Should place Decpas closer to IC Pins    Should place Decpas closer to IC Pins

