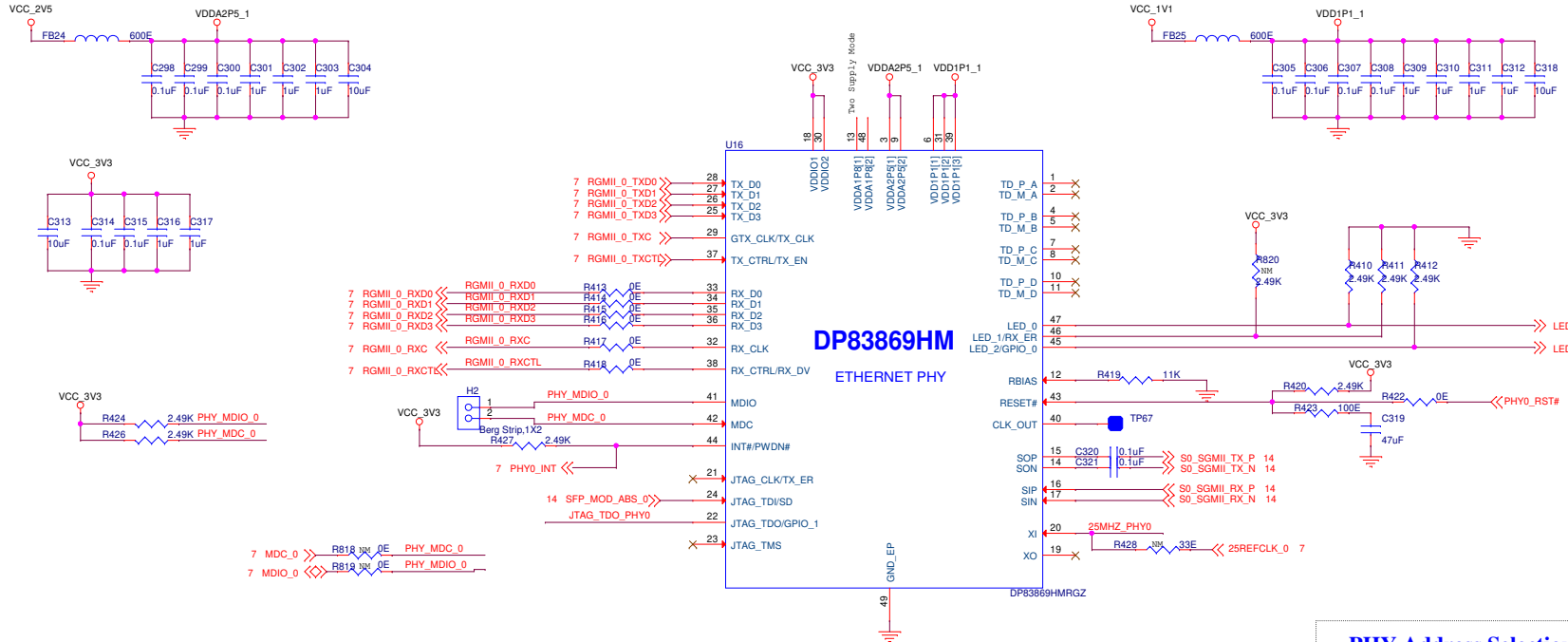
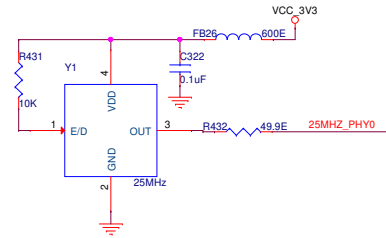
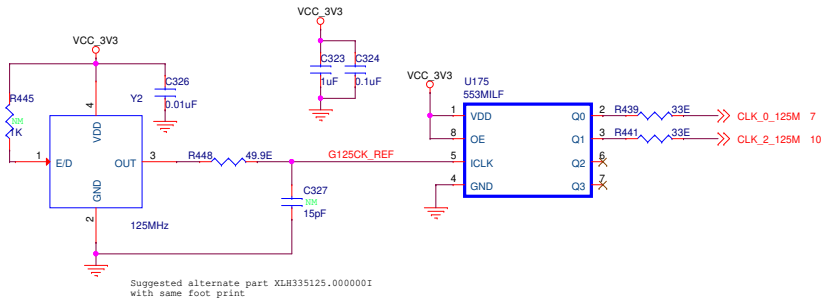


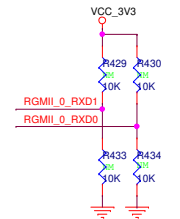
DP83869 PHY COPPER PORT 1



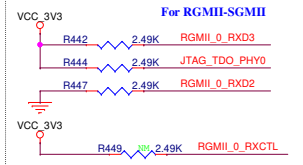
125MHz clock interface section



PHY Address Selection



Functional mode selection



EPCB-5049-O-00

	A3	Title : DP83869 1A	Rev: A1
	Asy No : EPCB-5049-O-00		
Sheet 9 of 16			