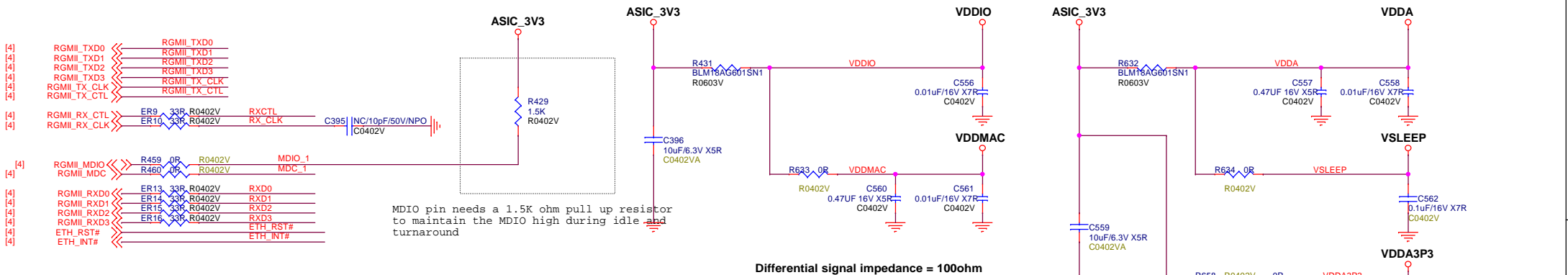


DP83TC813x-Q1/RGMII

機密 CONFIDENTIAL



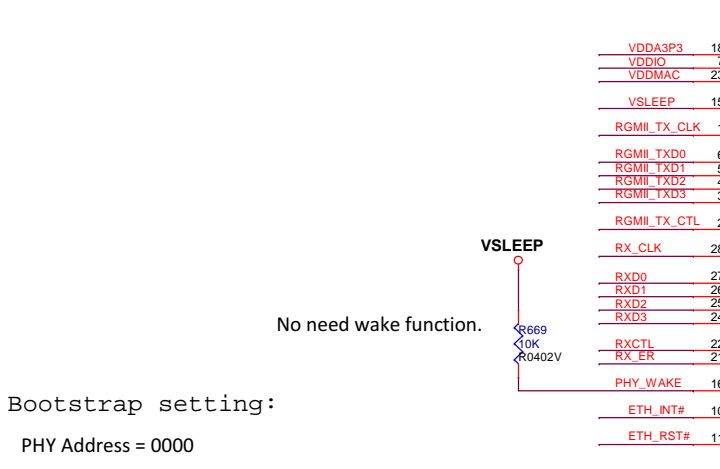
MDIO pin needs a 1.5K ohm pull up resistor to maintain the MDIO high during idle and turnaround

Differential signal impedance = 100ohm

No need led function.

Surrounded with GND traces

25MHz



Bootstrap setting:

PHY Address = 0000

MAC Interface Selection : RGMII (TX and RX Internal Delay Mode)

Master Slave Selection : Slave

Autonomous Mode : Autonomous mode

DP83TC813
DP83TC813X-Q1/QFN4X5-28

PHY_AD[3:0]	RX_CTRL STRAP MODE	RX_ER STRAP MODE	DESCRIPTION Section 8.5.1
0000	1	1	PHY Address: 0b00000 (0x0)
0001	-	-	NA
0010	-	-	NA
0011	-	-	NA
0100	2	1	PHY Address: 0b00100 (0x4)

Table 8-21. MAC Interface Selection Bootstraps

MAC[2]	MAC[1]	MAC[0]	DESCRIPTION
0	0	0	SGMII (4-wire) ⁽¹⁾
0	0	1	MII
0	1	0	RMII Slave
0	1	1	RMII Master
1	0	0	RGMII (Align Mode)
1	0	1	RGMII (TX Internal Delay Mode)
1	1	0	RGMII (TX and RX Internal Delay Mode)
1	1	1	RGMII (RX Internal Delay Mode)

MS	DESCRIPTION
0	100BASE-T1 Slave Configuration
1	100BASE-T1 Master Configuration

