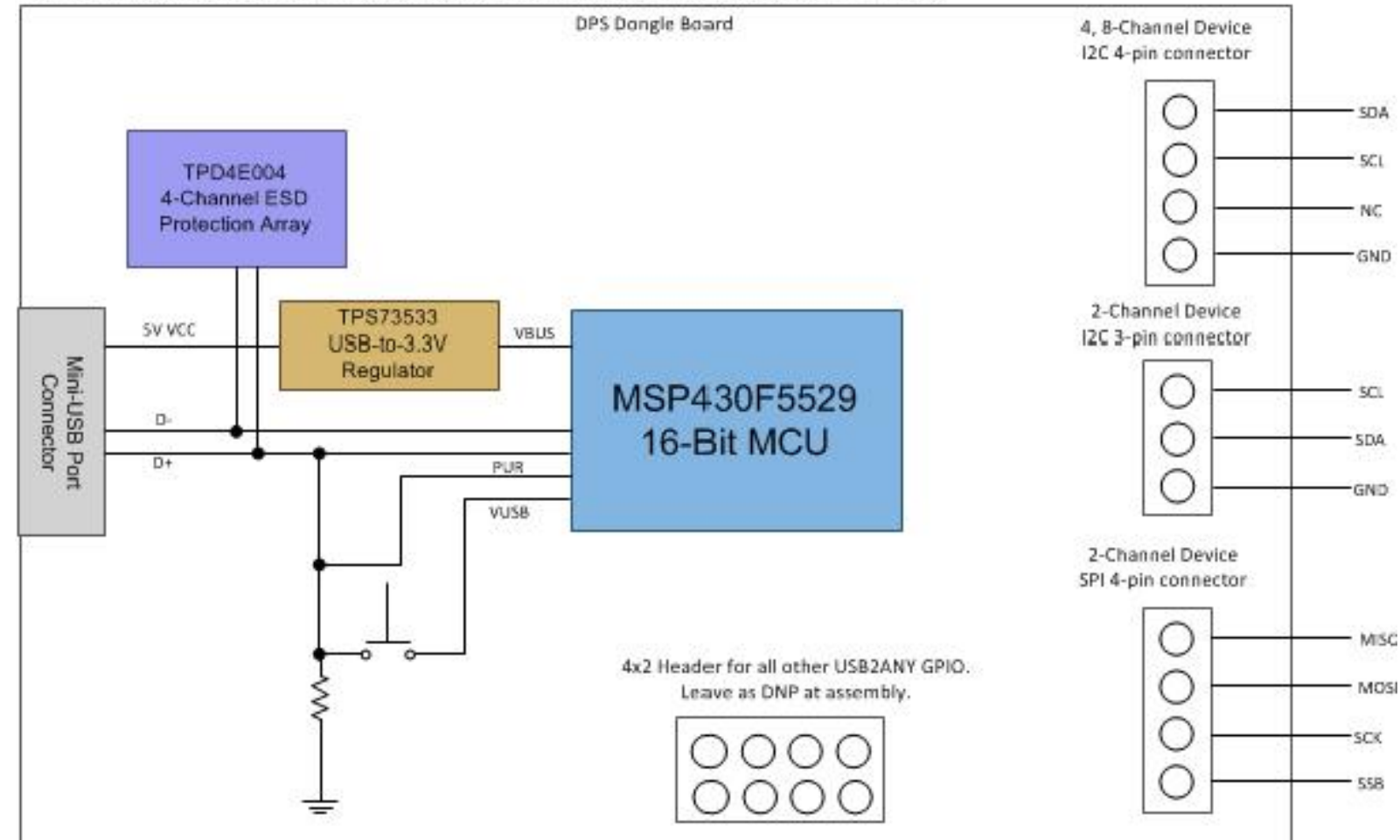


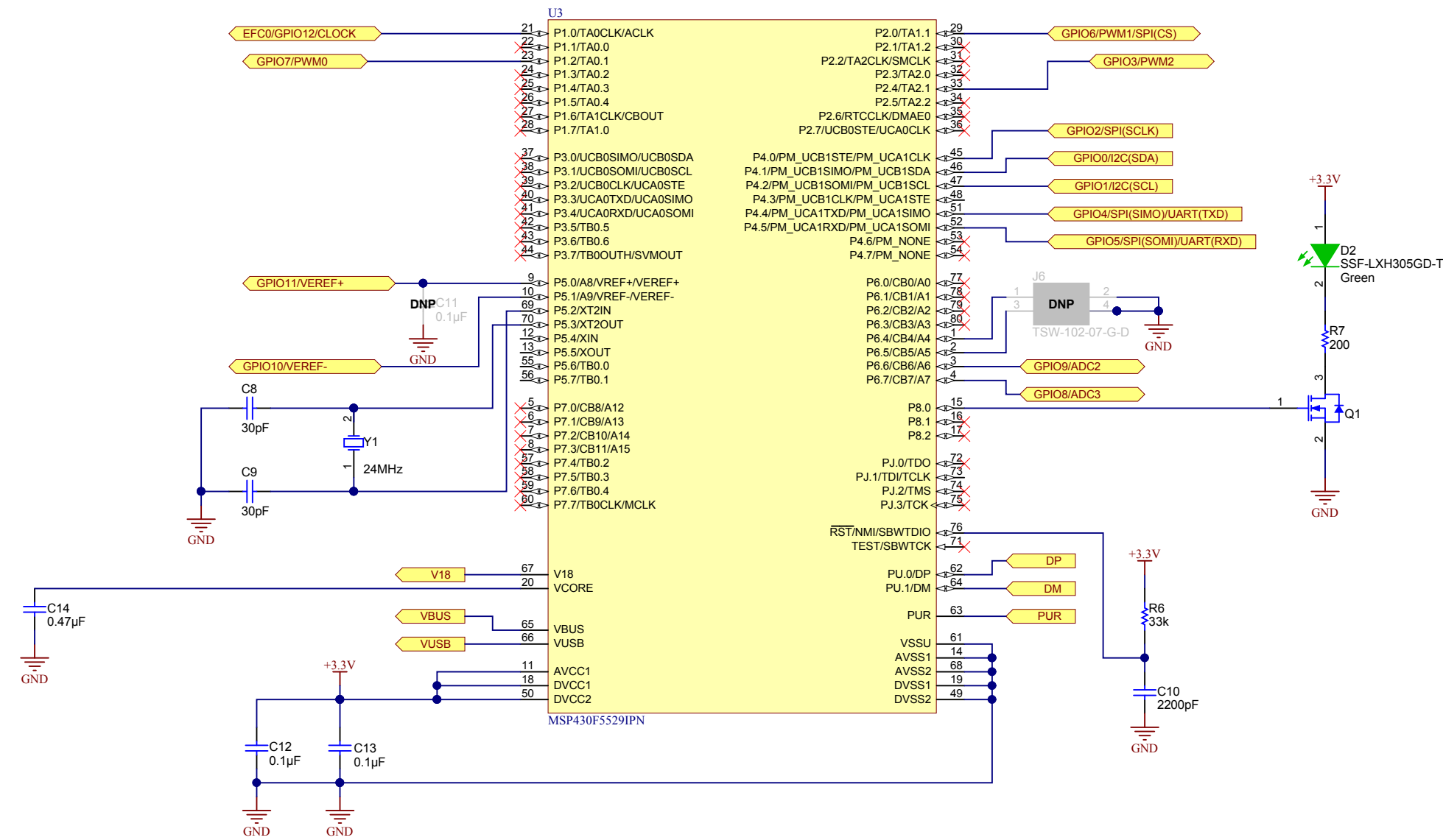
Revision History	
Revision	Notes

Notes:
 VBUS = 3.3V USB LDO input to MSP430
 VUSB = 3.3V USB LDO output from MSP430
 PUR = Pull-up resistor to invoke USB BSL. Will only invoke if pushbutton is pressed
 V18 = USB regulated power, internal use only

Route 4-pin and 3-pin I2C header such that the distance of trace between corresponding SDA/SCL/GND pins are minimized.



Note: Board is to be accompanied by female-to-female jumper wires (5) to facilitate connection between SMBus or SPI header pins from DPS-DONGLE-EVM to IC SMBus or SPI header pins.

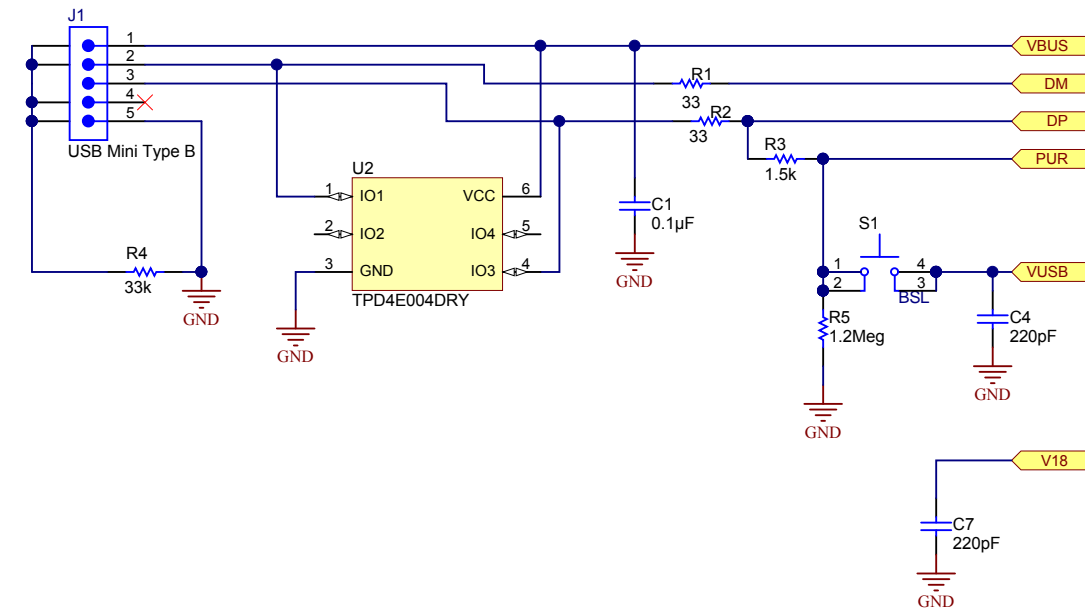


Texas Instruments and/or its licensors do not warrant the accuracy or completeness of this specification or any information contained therein. Texas Instruments and/or its licensors do not warrant that this design will meet the specifications, will be suitable for your application or fit for any particular purpose, or will operate in an implementation. Texas Instruments and/or its licensors do not warrant that the design is production worthy. You should completely validate and test your design implementation to confirm the system functionality for your application.

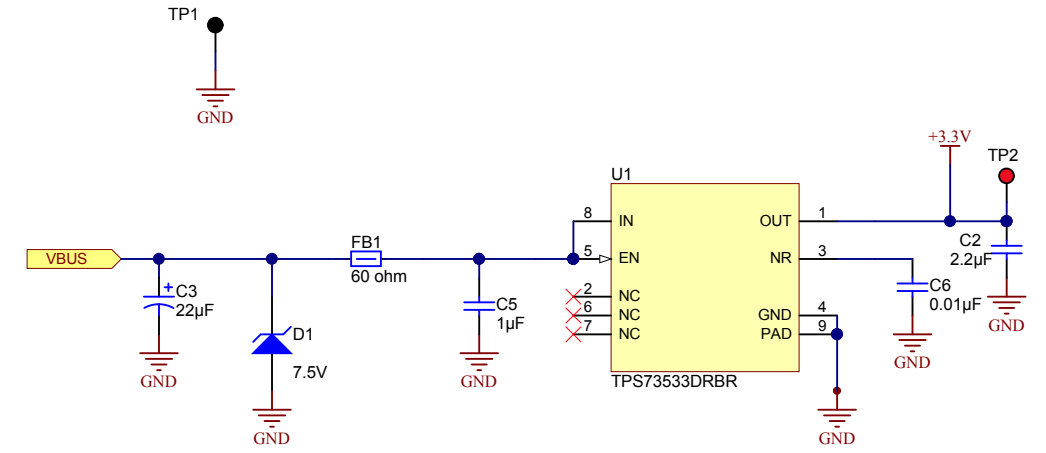
Number: 1	Rev: A	Designed for: Hidden Release	Mod. Date: 8/20/2015
SVN Rev: Version control disabled		Project Title: DPS-DONGLE-EVM	
Drawn By:		Sheet Title:	
Engineer: Michael Lu		Assembly Variant: 001	
		File: DPS-DONGLE-EVM_MSP430.SchDoc	
		Size: B	
		Contact: http://www.ti.com/sigcon	



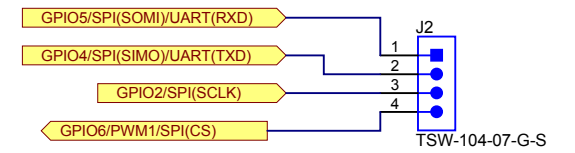
USB PORT



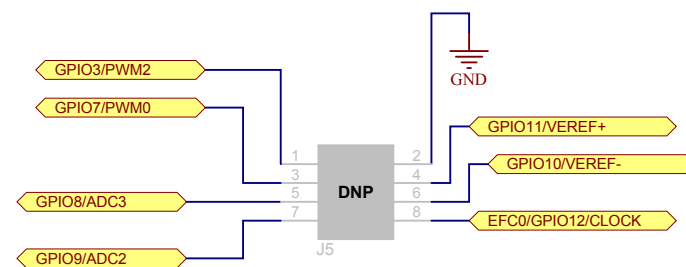
USB-TO-3.3V REGULATOR
NOTE: NO POWER DISTRIBUTION SWITCH NEEDED FOR EXT 3.3V SUPPLY



HEADER FOR SPI MODE COMMUNICATION



Receptacle for 4x2 header in case any of the USB2ANY GPIOs are to be used. Leave as DNP at assembly.



SDA/SCL HEADER FOR SMBUS COMMUNICATION
NOTE: NO EXTERNAL PULL-UPS PROVIDED, AS EVM BOARDS ALREADY HAVE PULL-UPS

