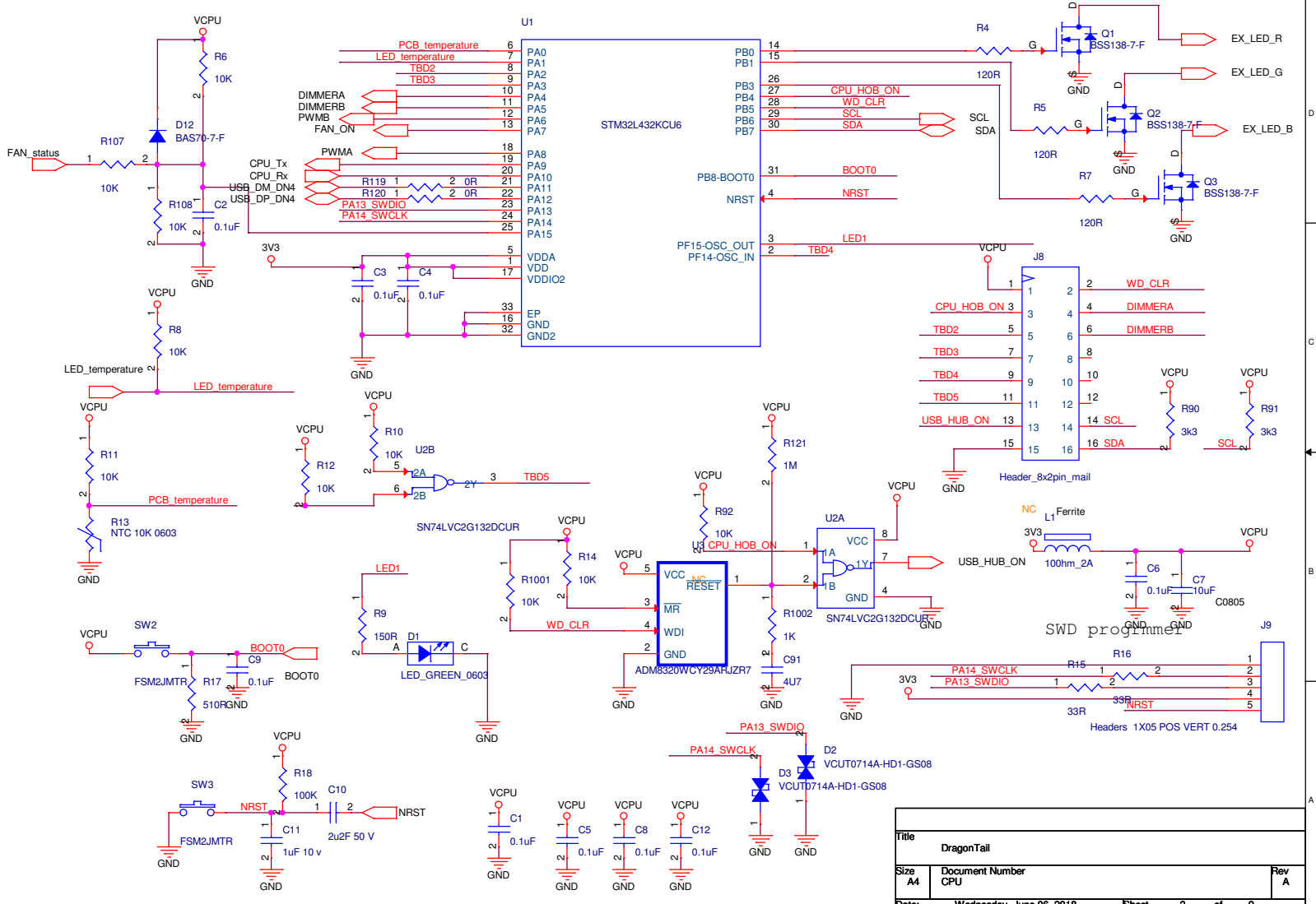
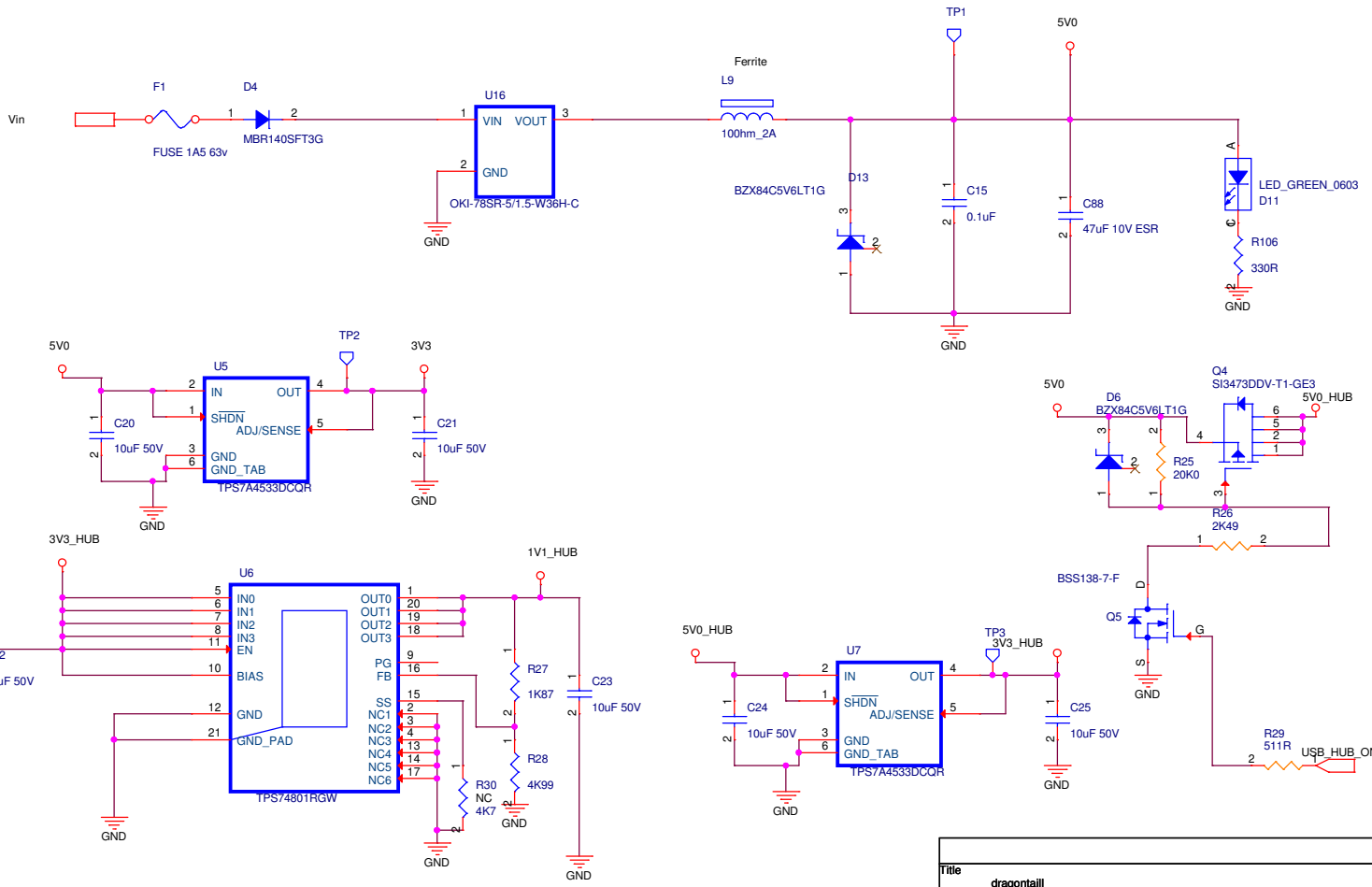


Title		
DragonTail		
Size	Document Number	Rev
A4	root	A
Date:	Wednesday, June 06, 2018	Sheet 1 of 9

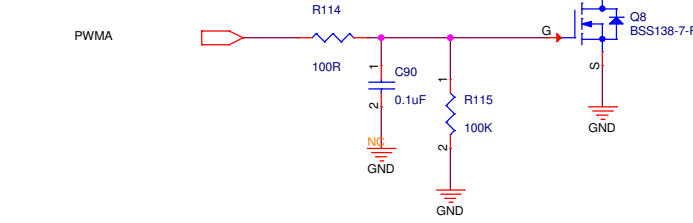
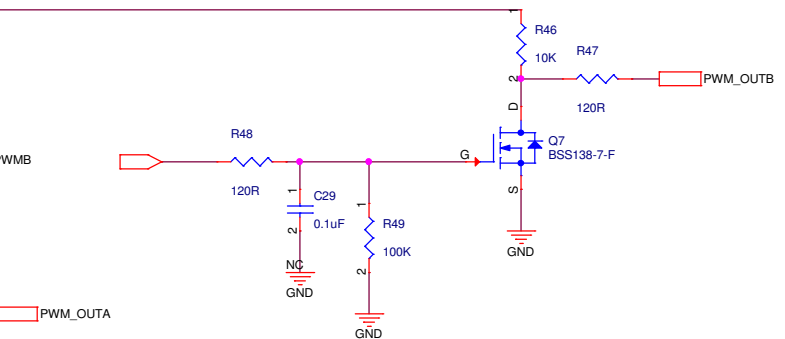
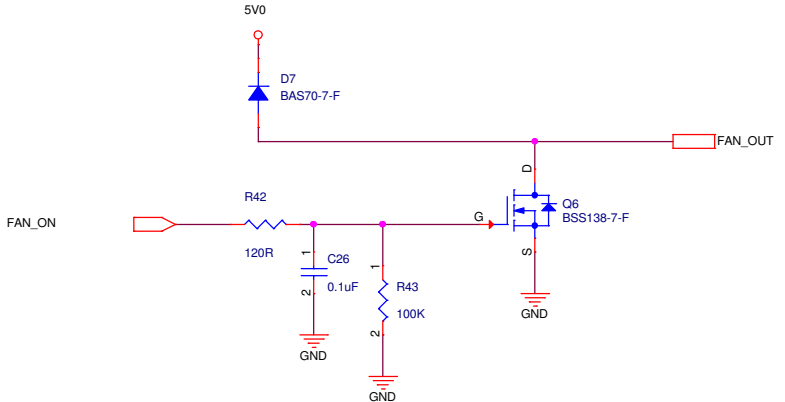
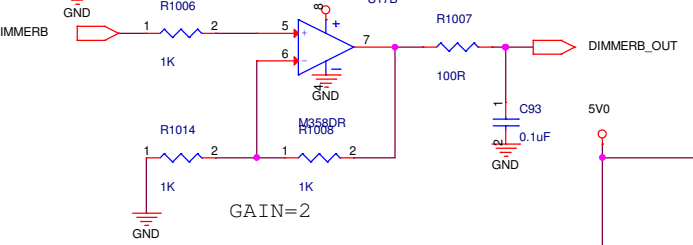
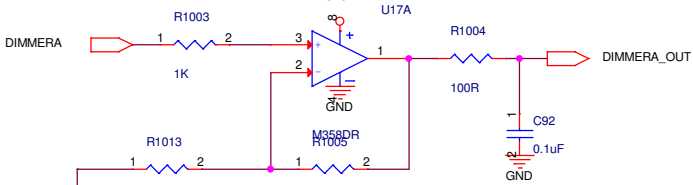


Title		
DragonTail		
Size	Document Number	Rev
A4	CPU	A
Date:	Wednesday, June 06, 2018	Sheet 2 of 9

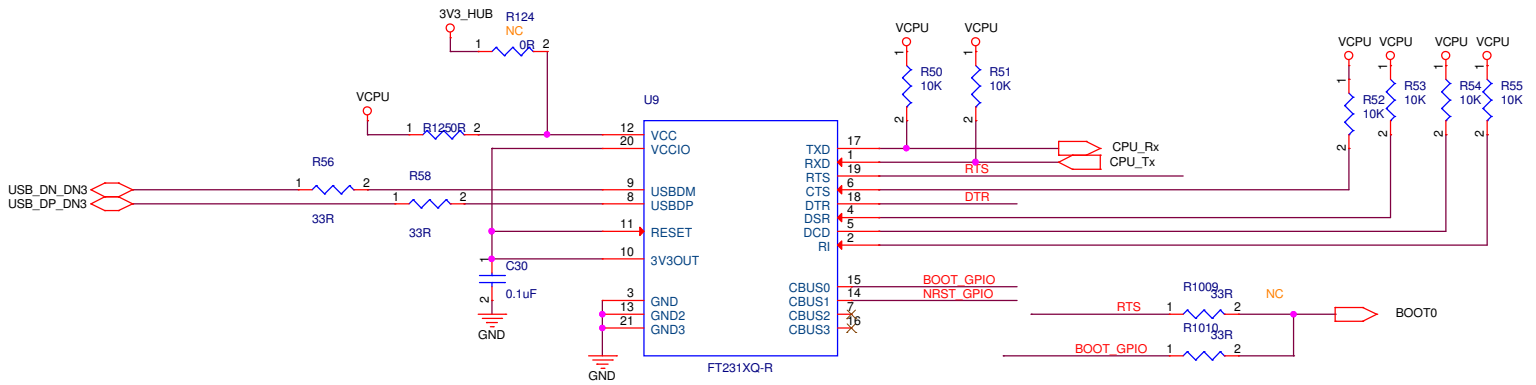


Title		
dragontail		
Size	Document Number	Rev
A4	dc2dc	A
Date:	Wednesday, June 06, 2018	Sheet 3 of 9

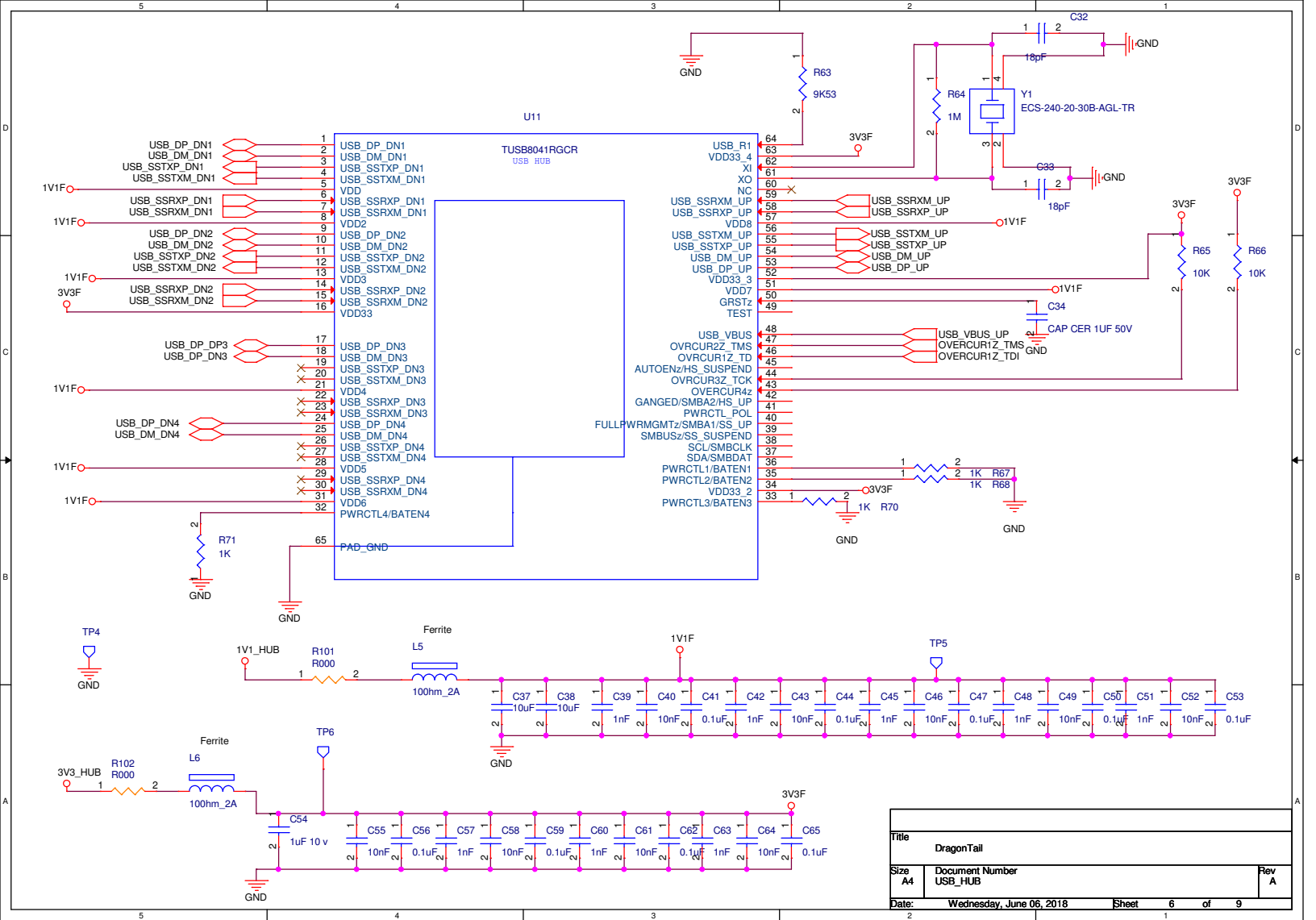
GAIN=2



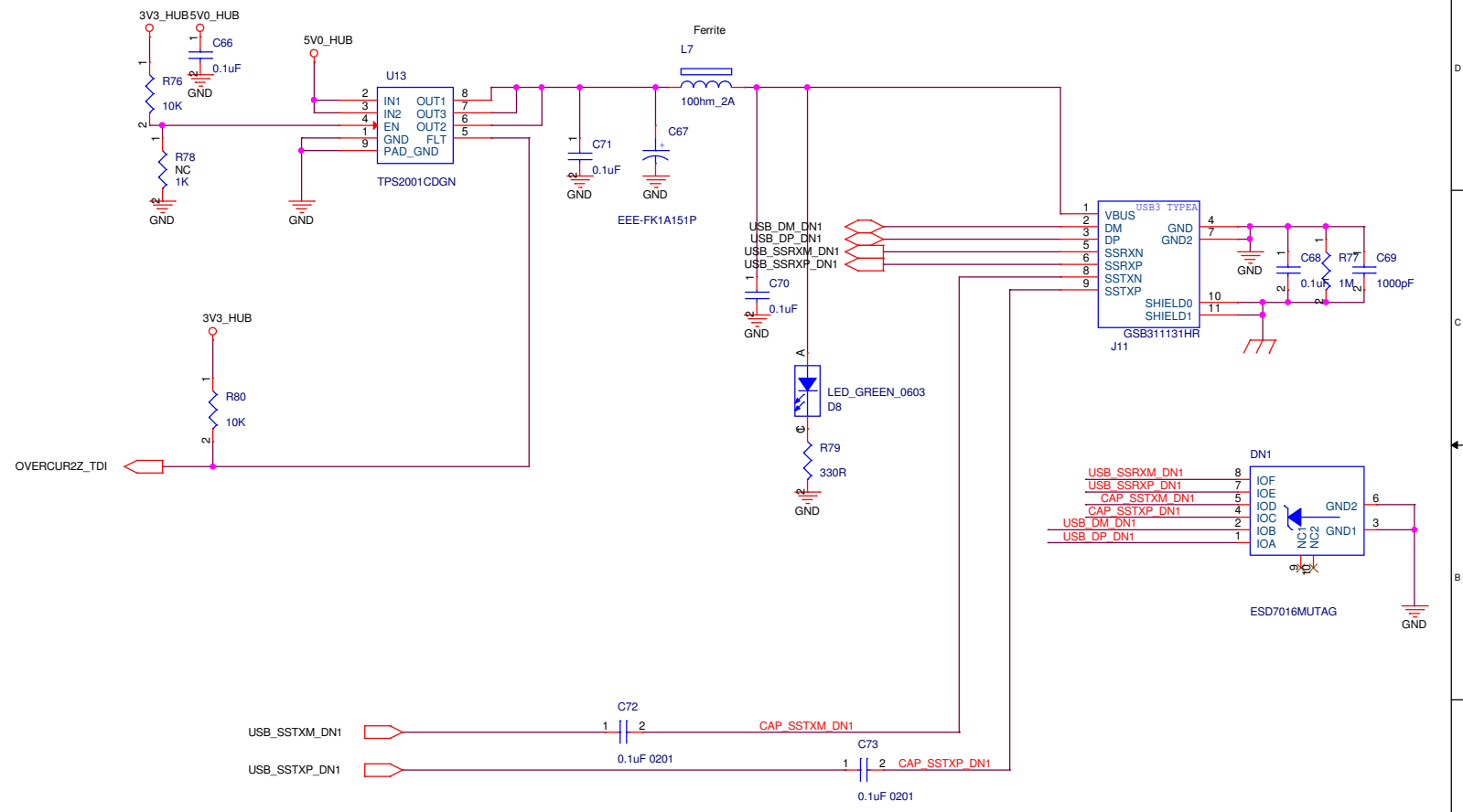
Title		
DragonTail		
Size	Document Number	Rev
A4	FAN_SWITCH AND PWM DRIVER	A
Date:	Wednesday, June 06, 2018	Sheet 4 of 9



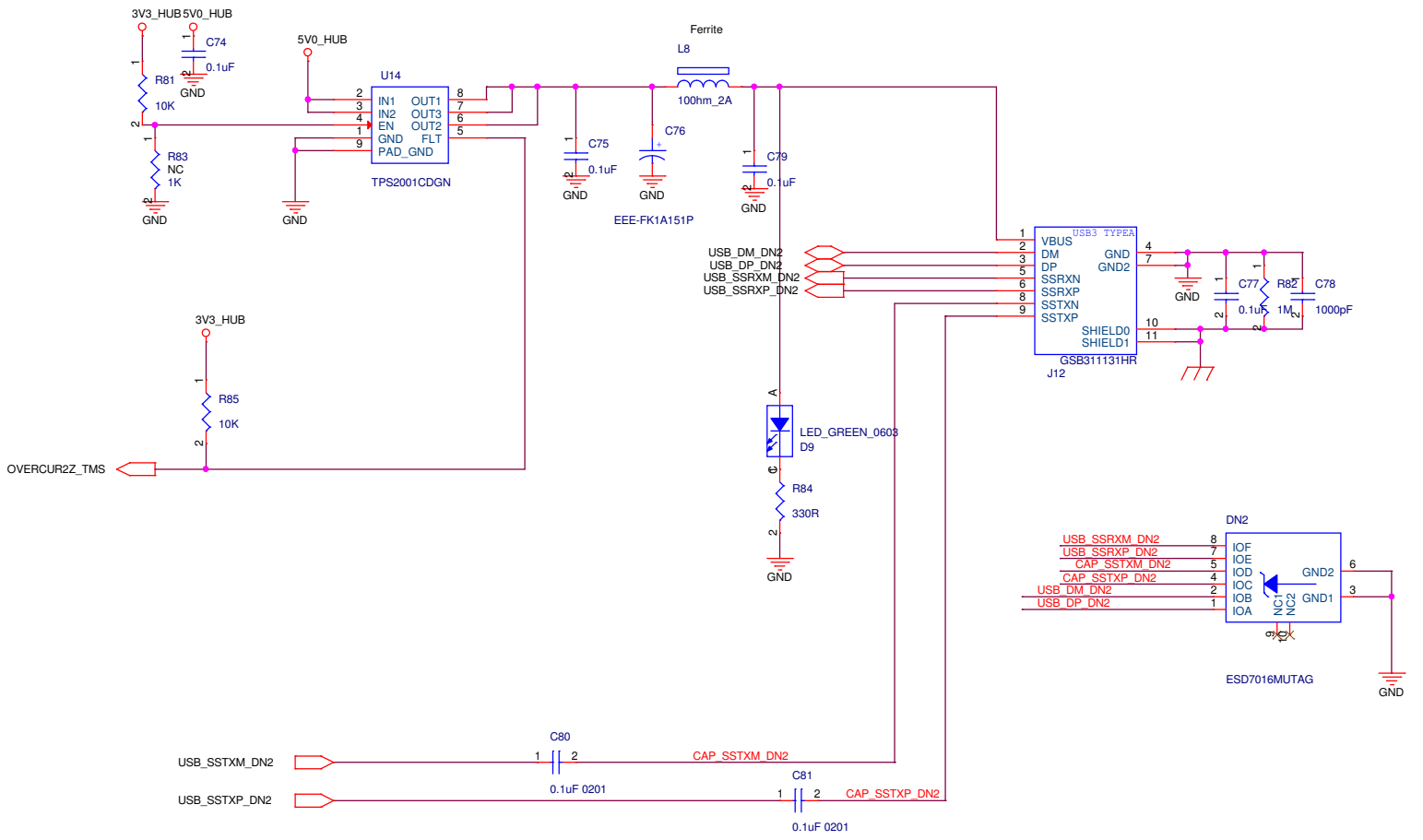
Title		
DragonTail		
Size	Document Number	Rev
A4	USB2UART	A
Date:	Wednesday, June 06, 2018	Sheet 5 of 9
2		1



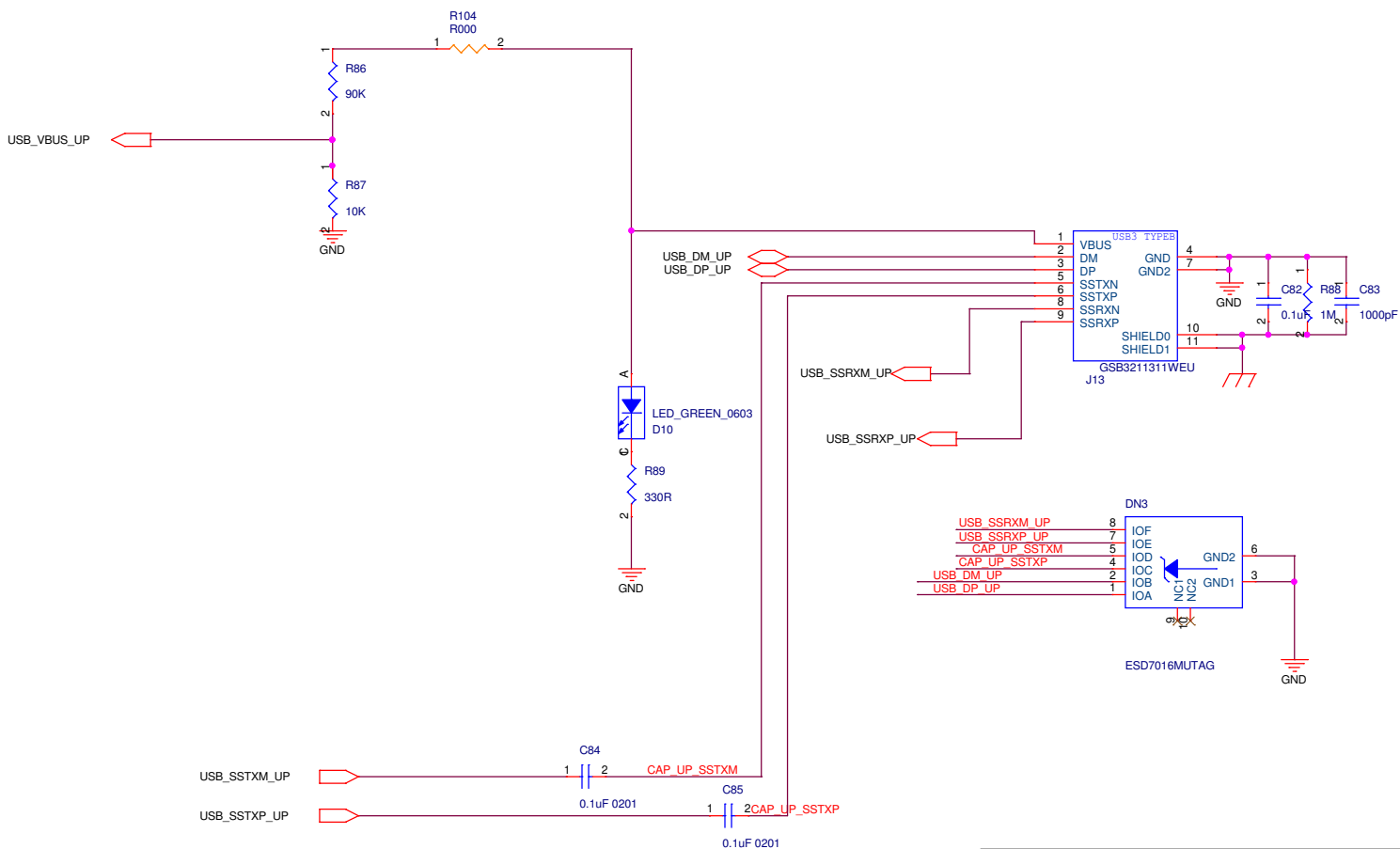
Title		
DragonTail		
Size	Document Number	Rev
A4	USB_HUB	A
Date:	Wednesday, June 06, 2018	Sheet 6 of 9



Title		
DragonTail		
Size	Document Number	Rev
A4	USB_PORT	A
Date:	Wednesday, June 06, 2018	Sheet 7 of 9



Title		
DragonTail		
Size	Document Number	Rev
A4	USB_PORT2	A
Date:	Wednesday, June 06, 2018	Sheet 8 of 9



Title		
DragonTail		
Size	Document Number	Rev
A4	USB TYPE A	A
Date:	Wednesday, June 06, 2018	Sheet 9 of 9