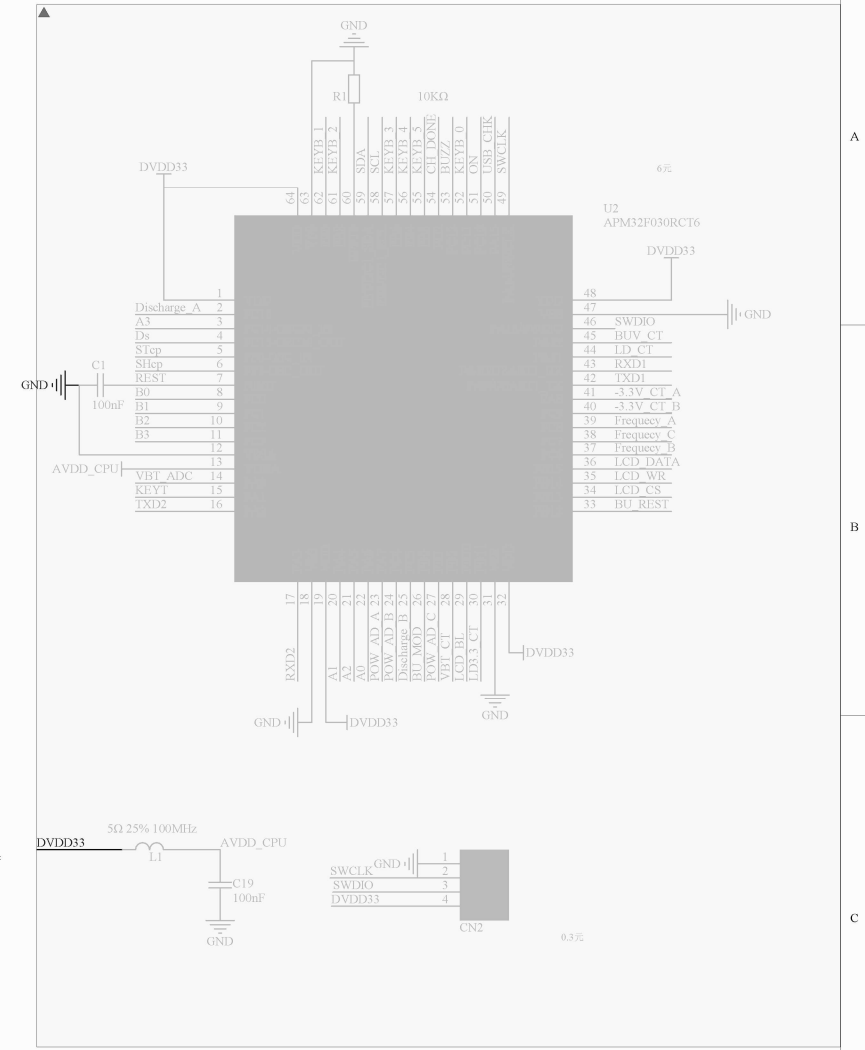
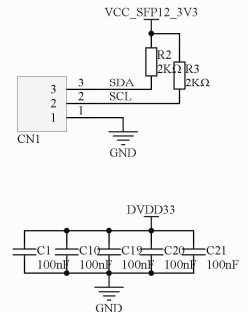
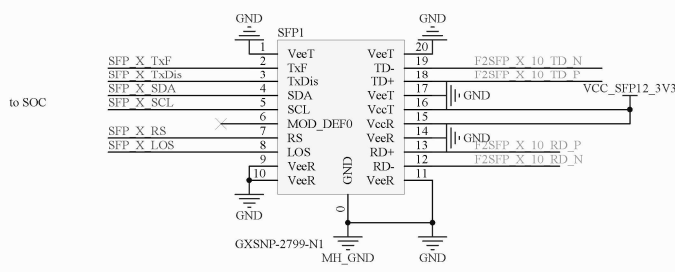
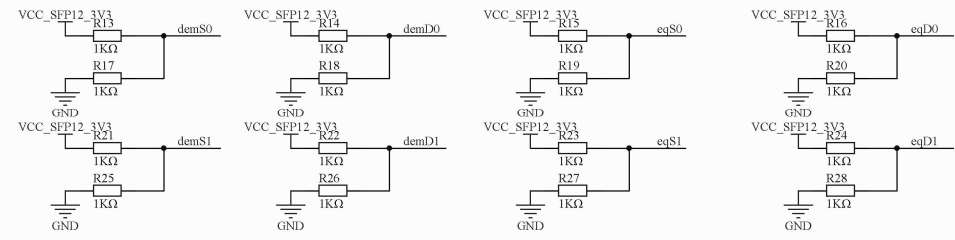
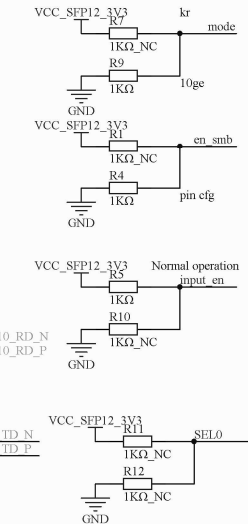
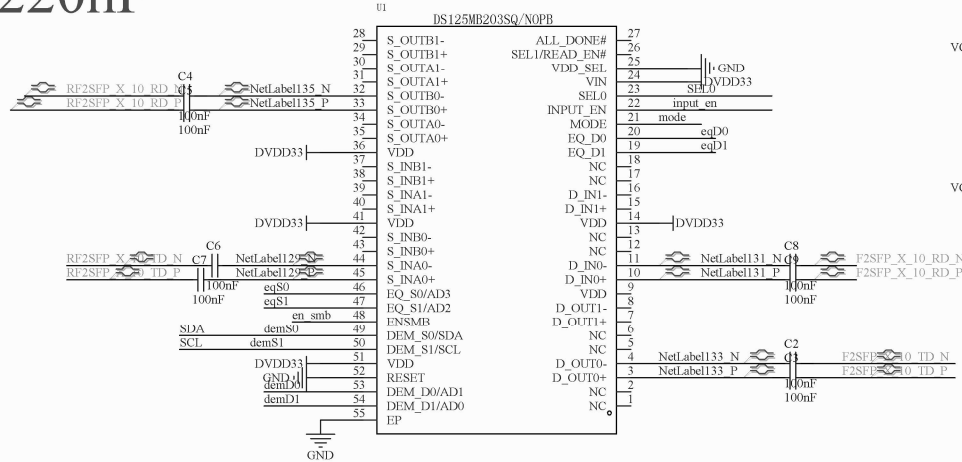


220nF



Title		
Size	Number	Revision
A3		
Date:	2024/9/30	Sheet of
File:	F:\100XG\SVL\DS125MB203-2.SchDoc	Drawn By: