


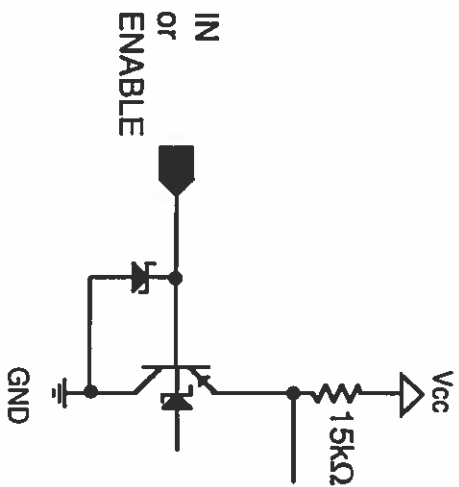
# DS26F31 EQUIVALENT CIRCUIT

 <b>National</b> Semiconductor		Interface Applications	
Driver Output (422)			
4/24/93	SIZE	A	
SCALE	SHEET 1	DWG NO.	

DWG NO.

SH

REV



# DS26F31 EQUIVALENT CIRCUIT

 **National**  
Semiconductor

**Interface**  
Applications

Driver Input (TTL)  
Driver Enable

SCALE	4/24/93	SIZE	A
SHEET	1	DWG NO.	