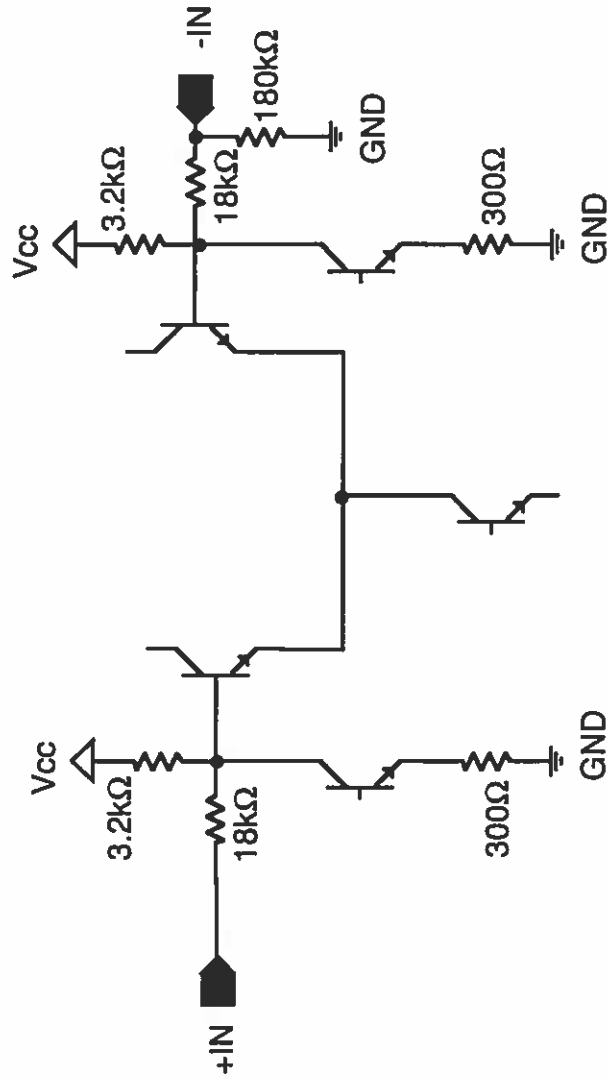


REV

SH

DWG NO.



Interface Applications

DS26F32 EQUIVALENT CIRCUIT

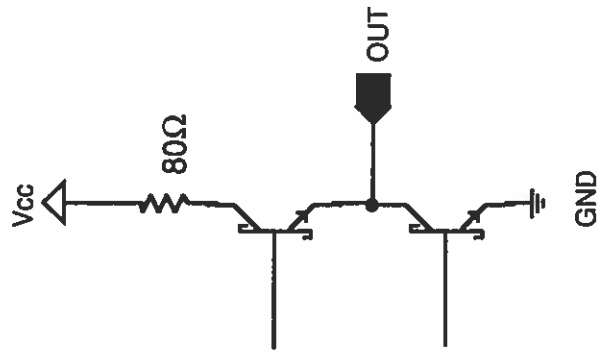
Receiver Input (422)

4/24/93	SIZE	A
SCALE	SHEET 1	DWG NO.

REV

SH

DWG NO.



Interface Applications

DS26F32 EQUIVALENT CIRCUIT

Receiver Output (TTL)

4/24/93	SIZE	A
---------	------	---

SCALE

SHEET 1

DWG NO.