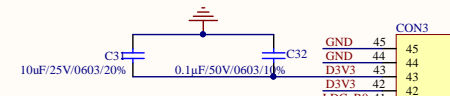
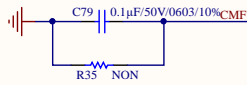
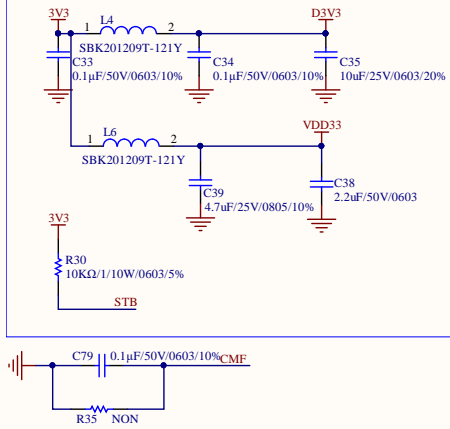
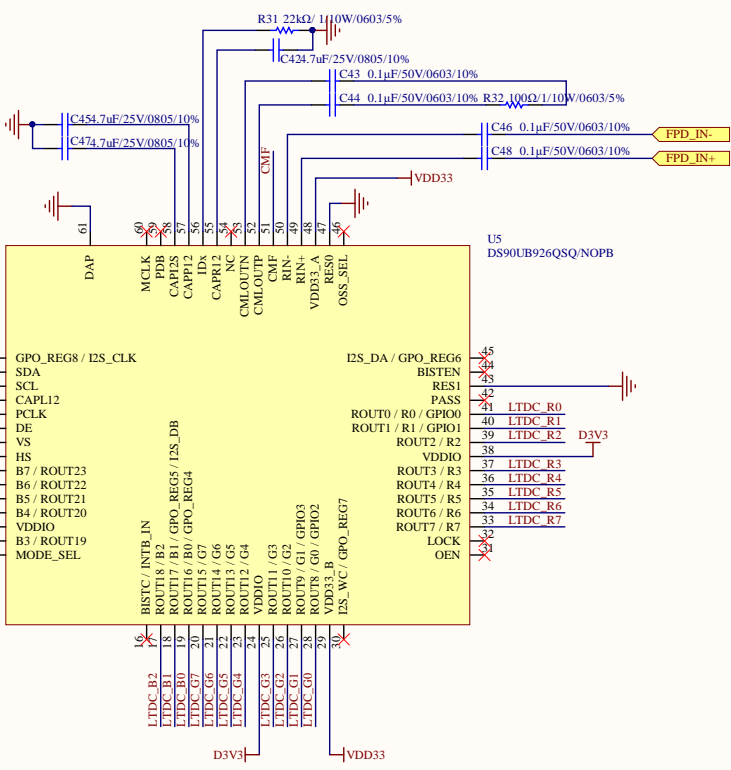
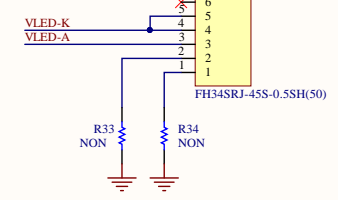
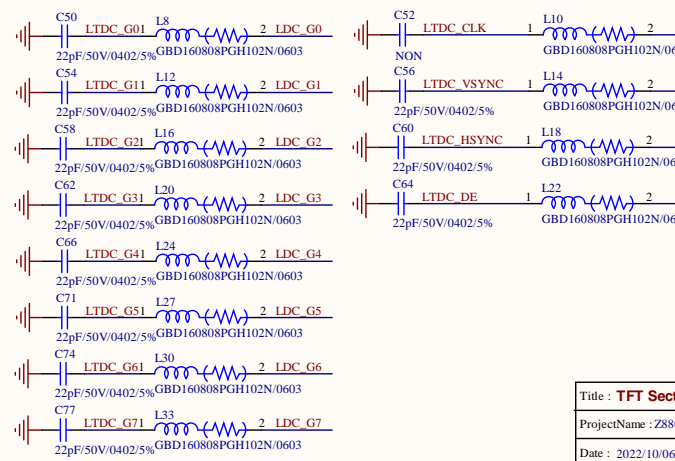


# TFT POWER



CON3	Pin	Label
45	45	GND
44	44	GND
43	43	D3V3
42	42	D3V3
41	41	LDC R0
40	40	LDC R1
39	39	LDC R2
38	38	LDC R3
37	37	LDC R4
36	36	LDC R5
35	35	LDC R6
34	34	LDC R7
33	33	LDC G0
32	32	LDC G1
31	31	LDC G2
30	30	LDC G3
29	29	LDC G4
28	28	LDC G5
27	27	LDC G6
26	26	LDC G7
25	25	LDC B0
24	24	LDC B1
23	23	LDC B2
22	22	LDC B3
21	21	LDC B4
20	20	LDC B5
19	19	LDC B6
18	18	LDC B7
17	17	GND
16	16	CLK
15	15	STB
14	14	HS
13	13	VS
12	12	DE
11	11	LL
10	10	GND
9	9	8
8	8	7
7	7	6
6	6	5
5	5	4
4	4	3
3	3	2
2	2	1
1	1	1



Title : TFT Sect	Circuit version : A0	CHAO LONG MOTOR PARTS CORP
ProjectName : Z880-TFT	PCB version : T0	Sheet : 5 of 5
Date : 2022/10/06	Time : 06:00:46	File : TFT_Sect.SCHDOC
Author :	Check :	Approved :

