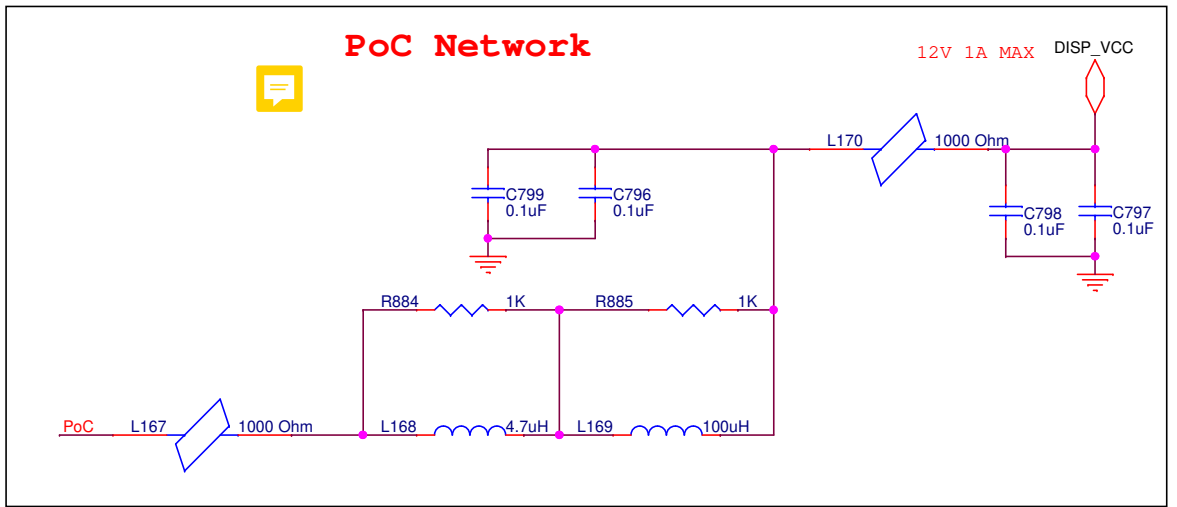
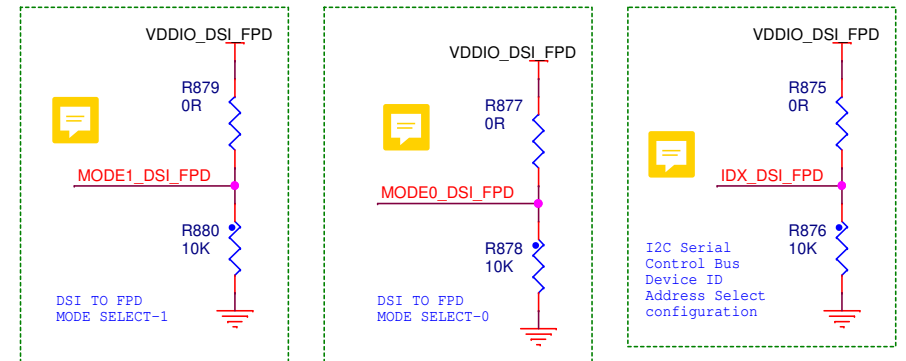
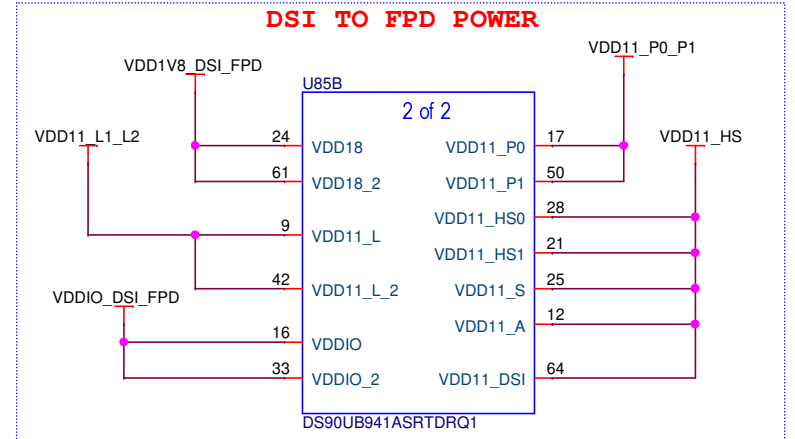
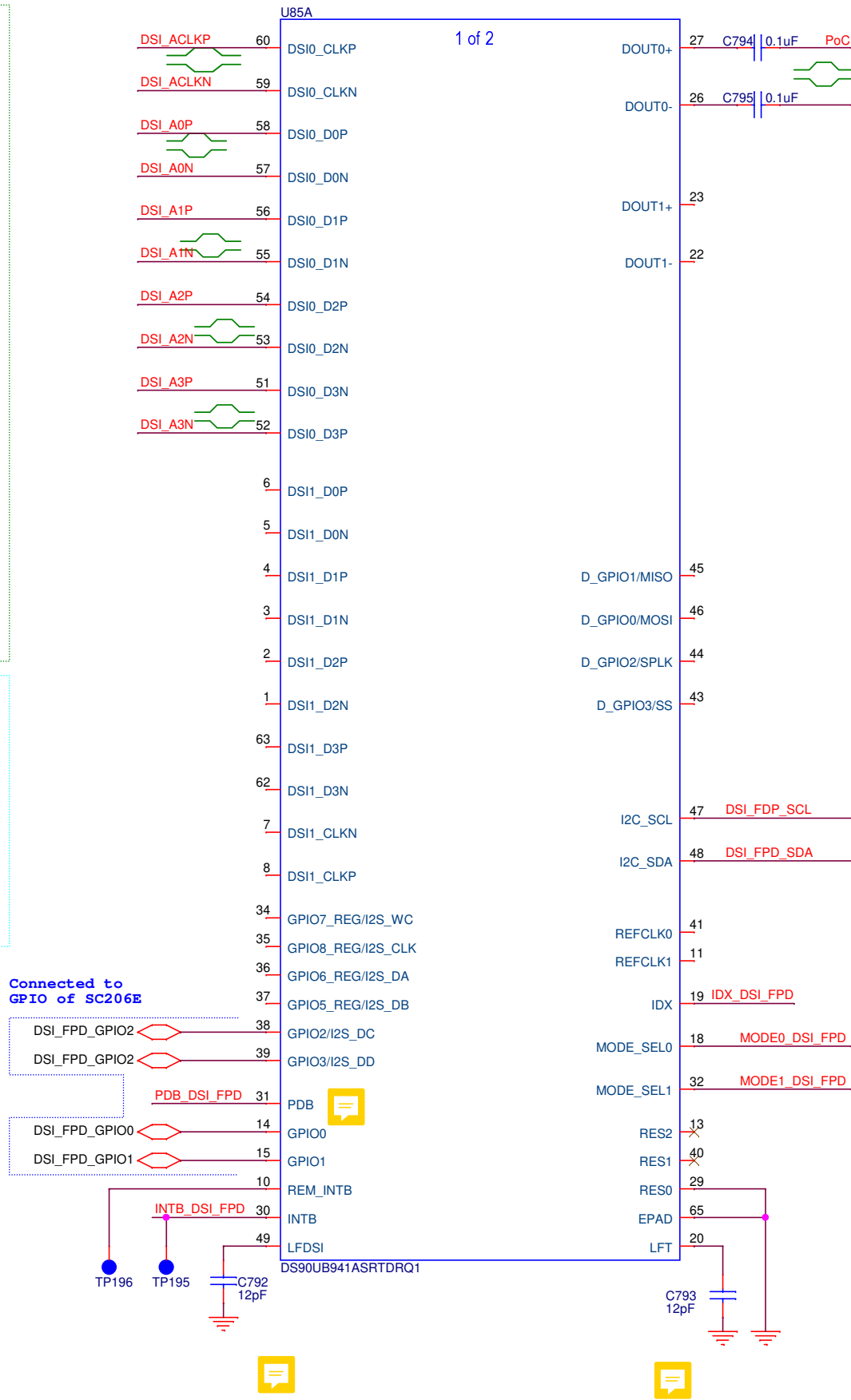
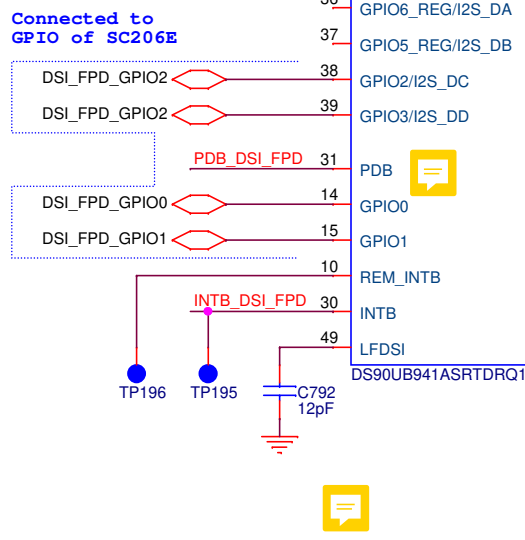
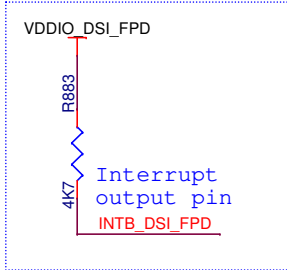
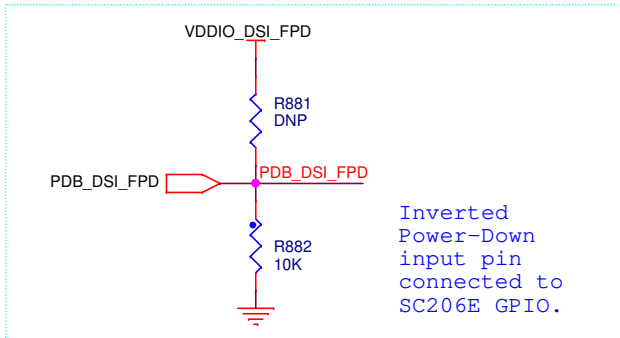
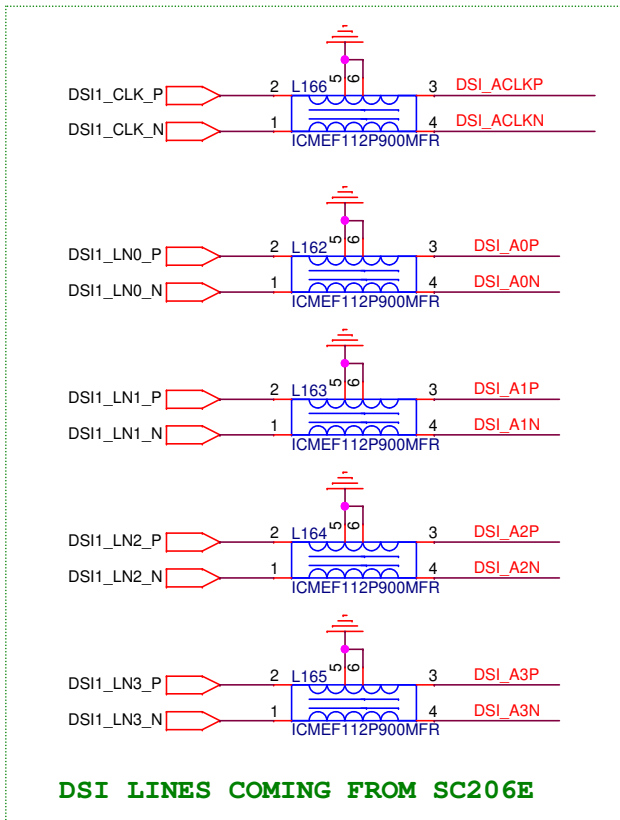
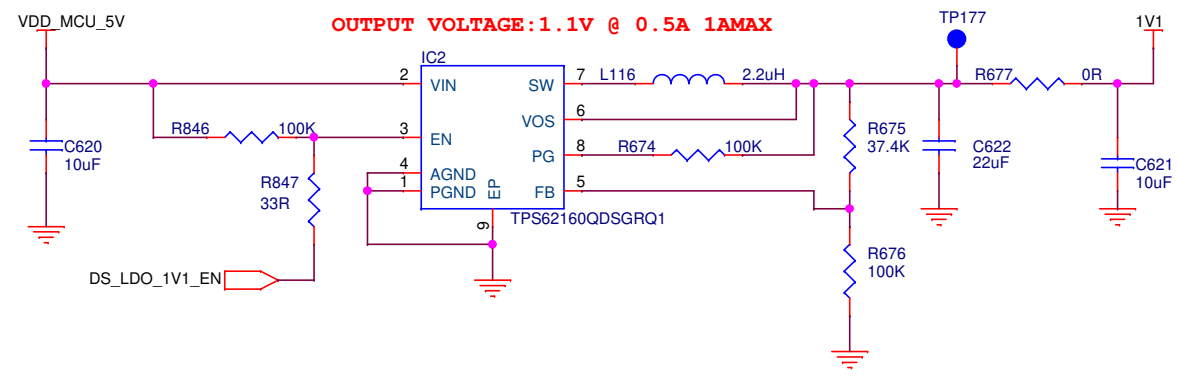


DSI to FPD-Link III Bridge Serializer

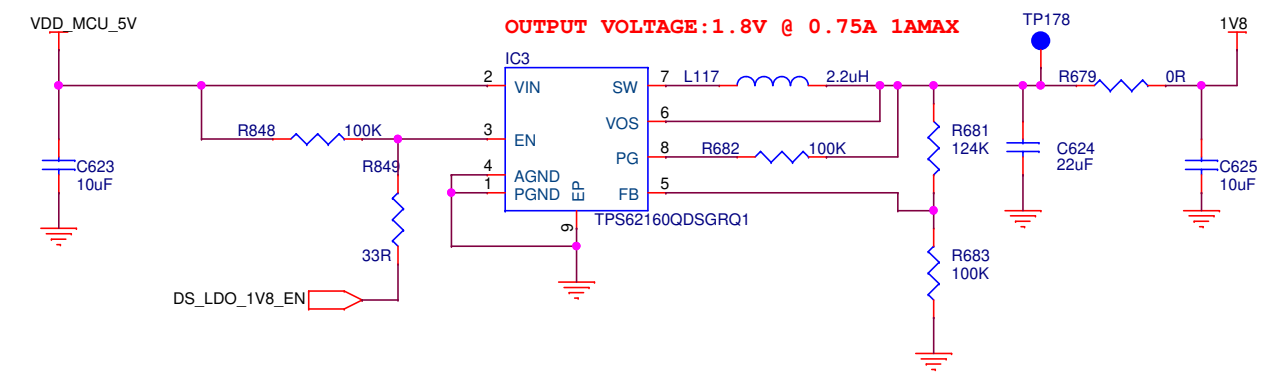


| | | |
|------------|----------------------------|--------------|
| Title | | |
| DSI TO FPD | | |
| Size | Document Number | Rev |
| A3 | <Doc> | 1.0 |
| Date: | Tuesday, February 13, 2024 | Sheet 1 of 1 |

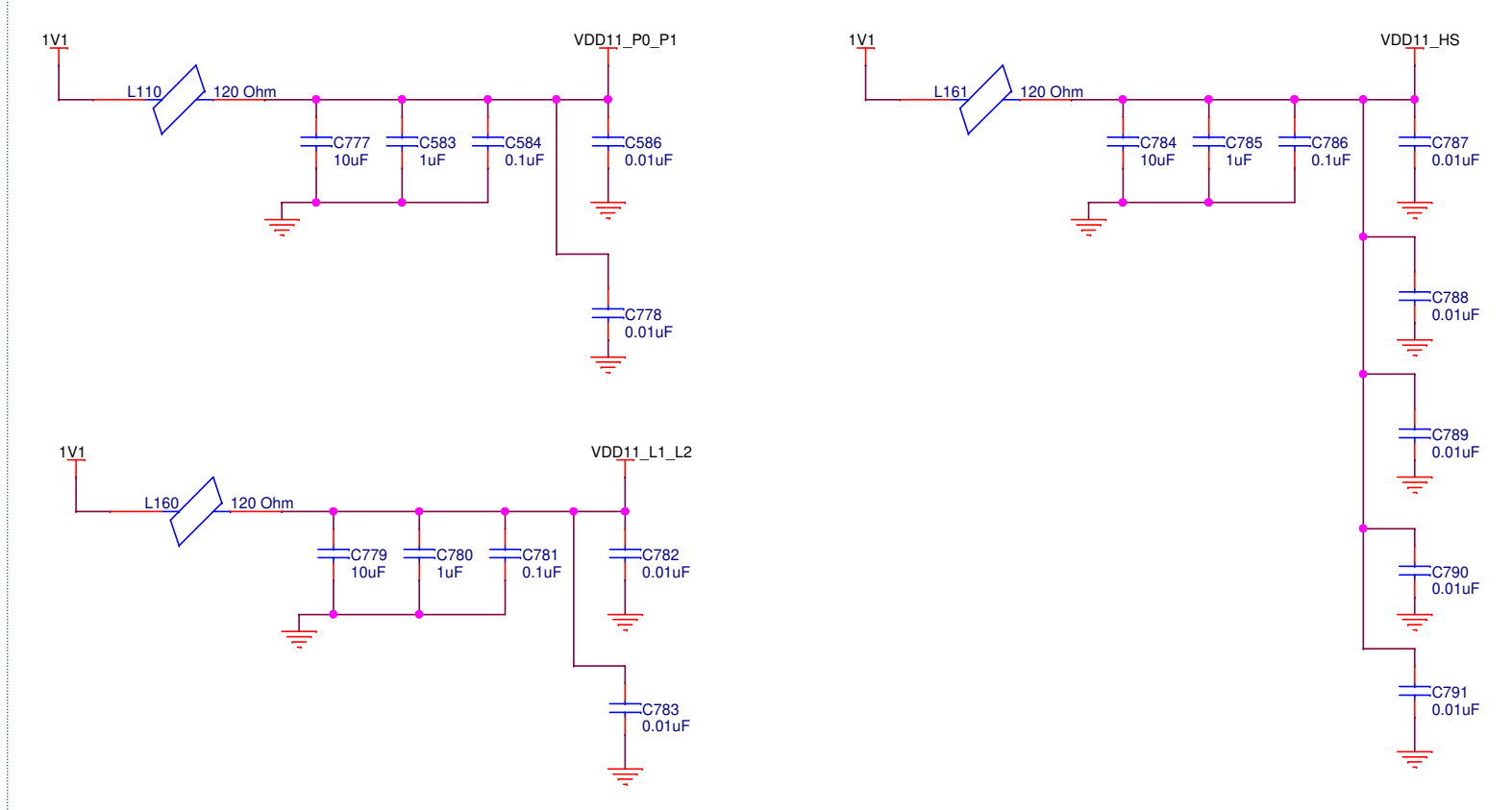
DSI TO FPD 1.1V Supply



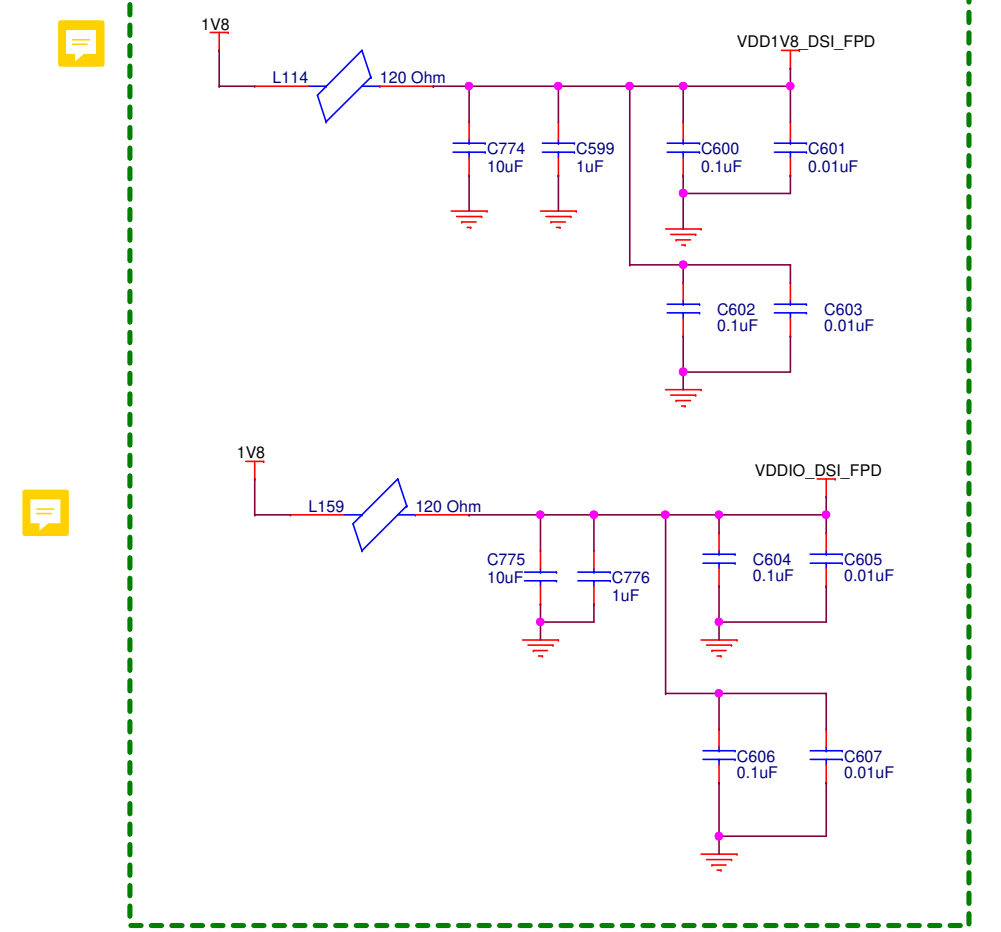
DSI TO FPD1.8V Supply



DSI TO FPD 1.1V PDN



DSI TO FPD 1.8V PDN



| | | |
|-------|---------------------------|--------------|
| Title | | PDN_DSI_FPD |
| Size | Document Number | Rev |
| A3 | <Doc> | 1.0 |
| Date: | Monday, February 12, 2024 | Sheet 1 of 1 |