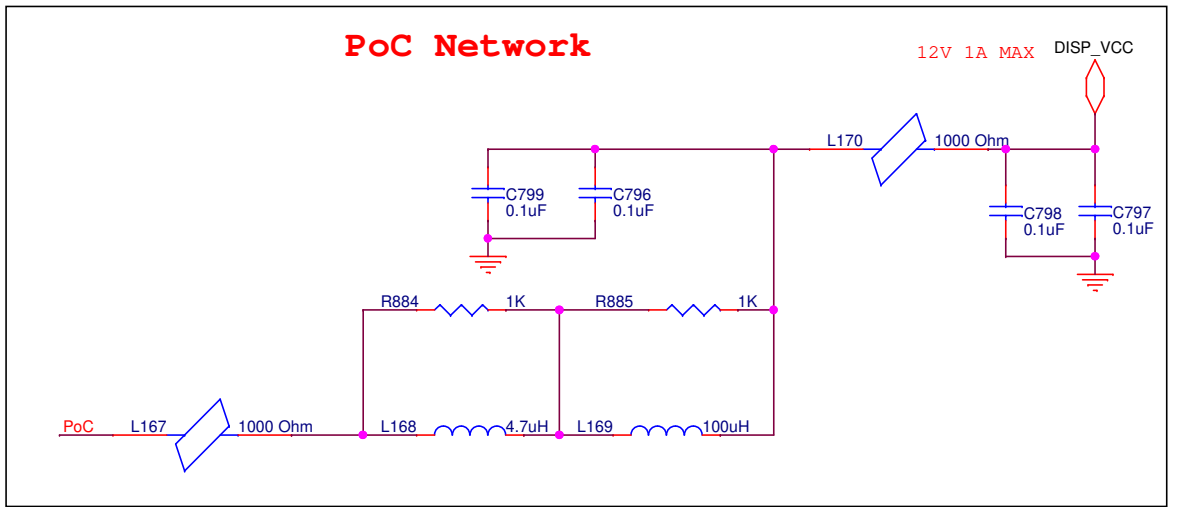
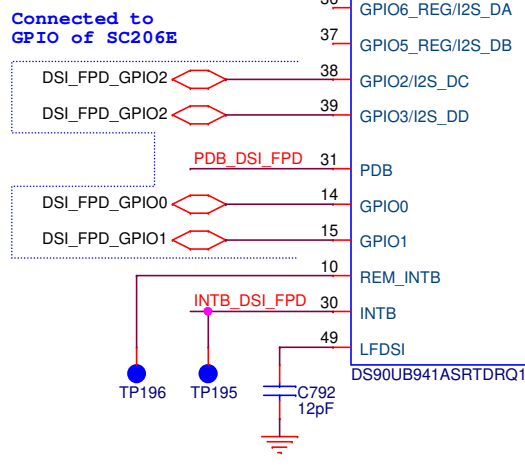
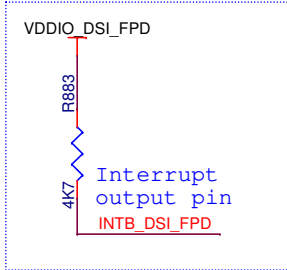
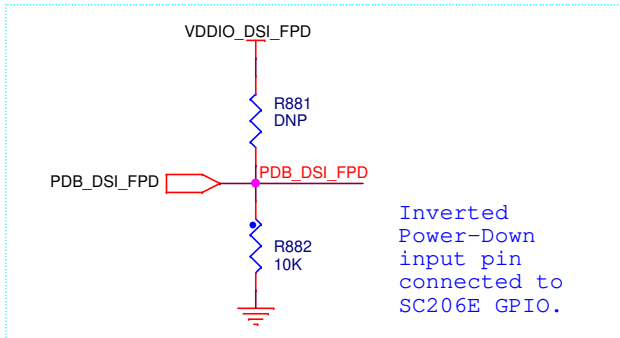
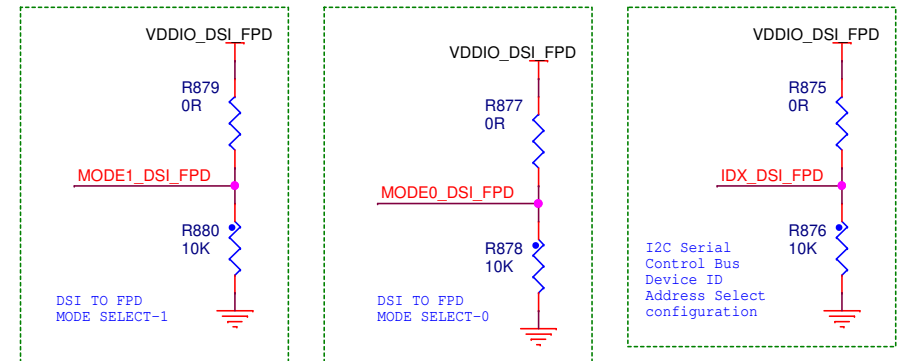
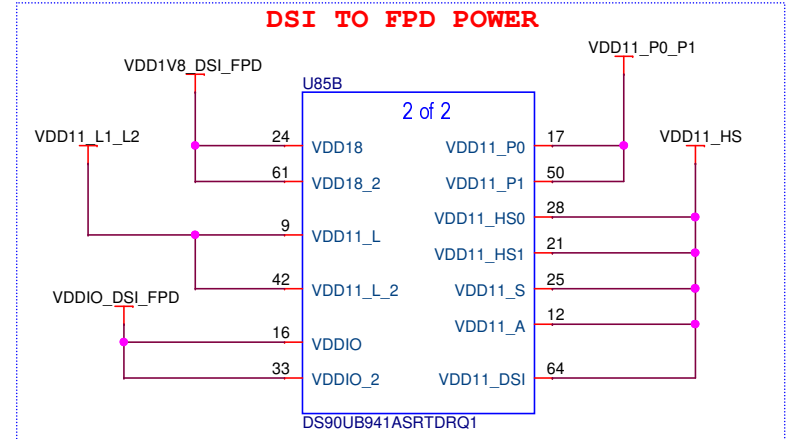
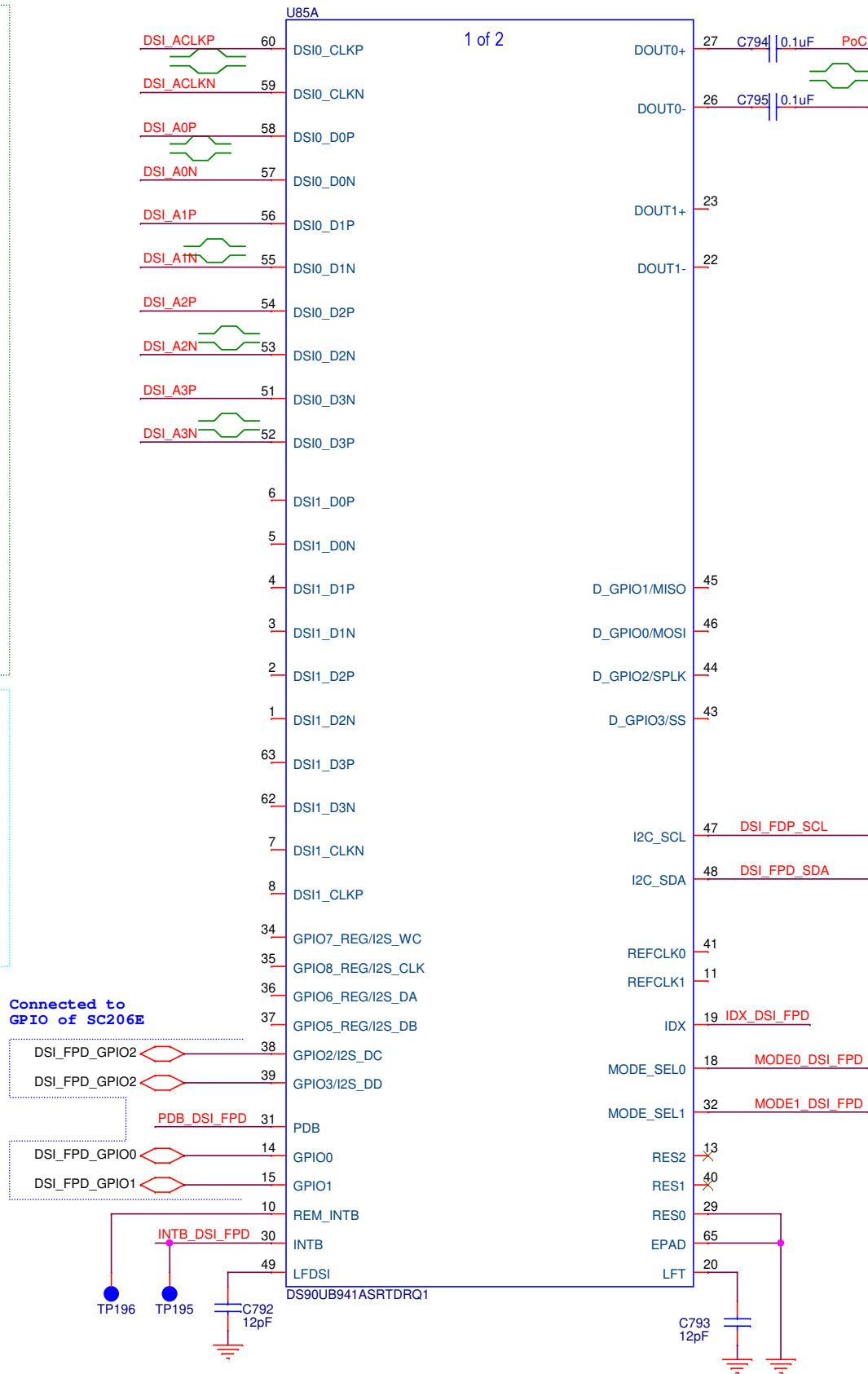
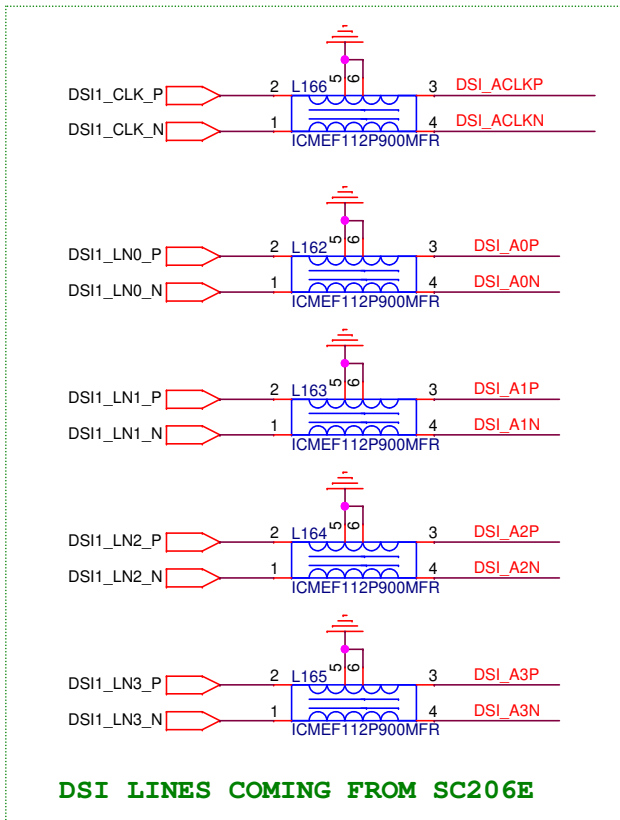
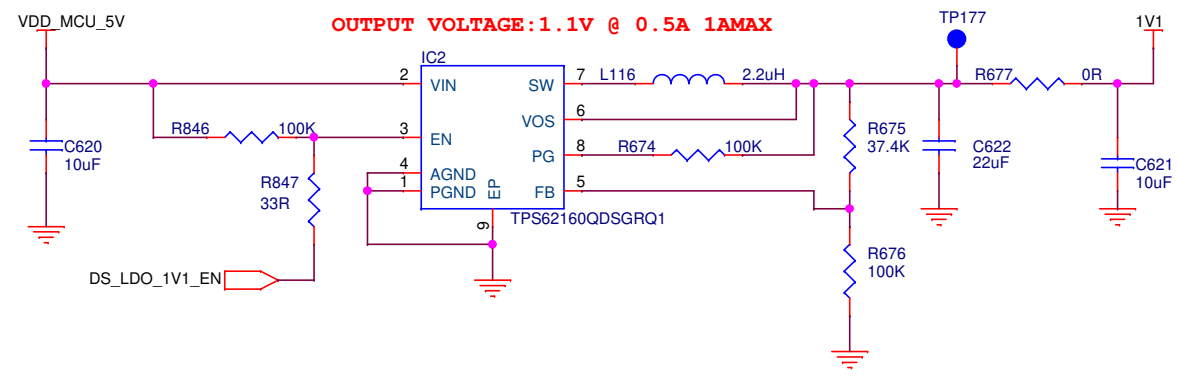


DSI to FPD-Link III Bridge Serializer

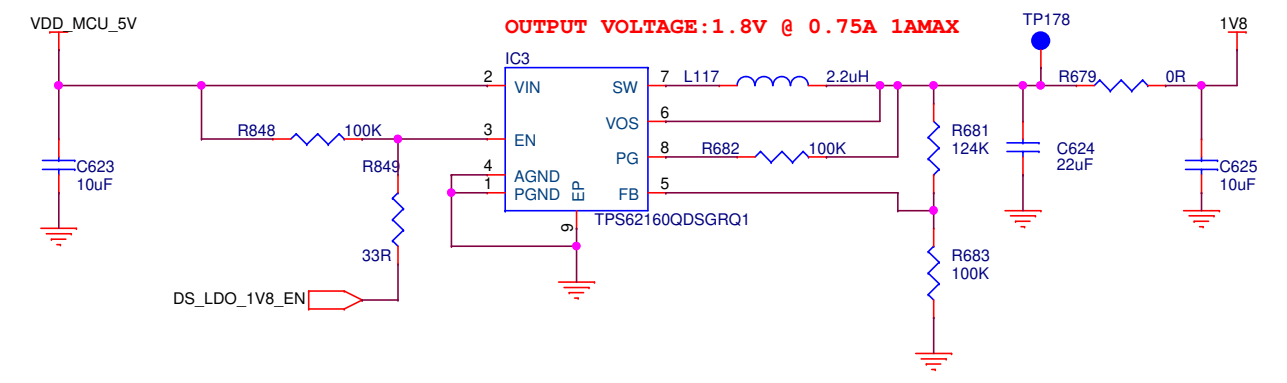


Title		
DSI TO FPD		
Size	Document Number	Rev
A3	<Doc>	1.0
Date:	Tuesday, February 13, 2024	Sheet 1 of 1

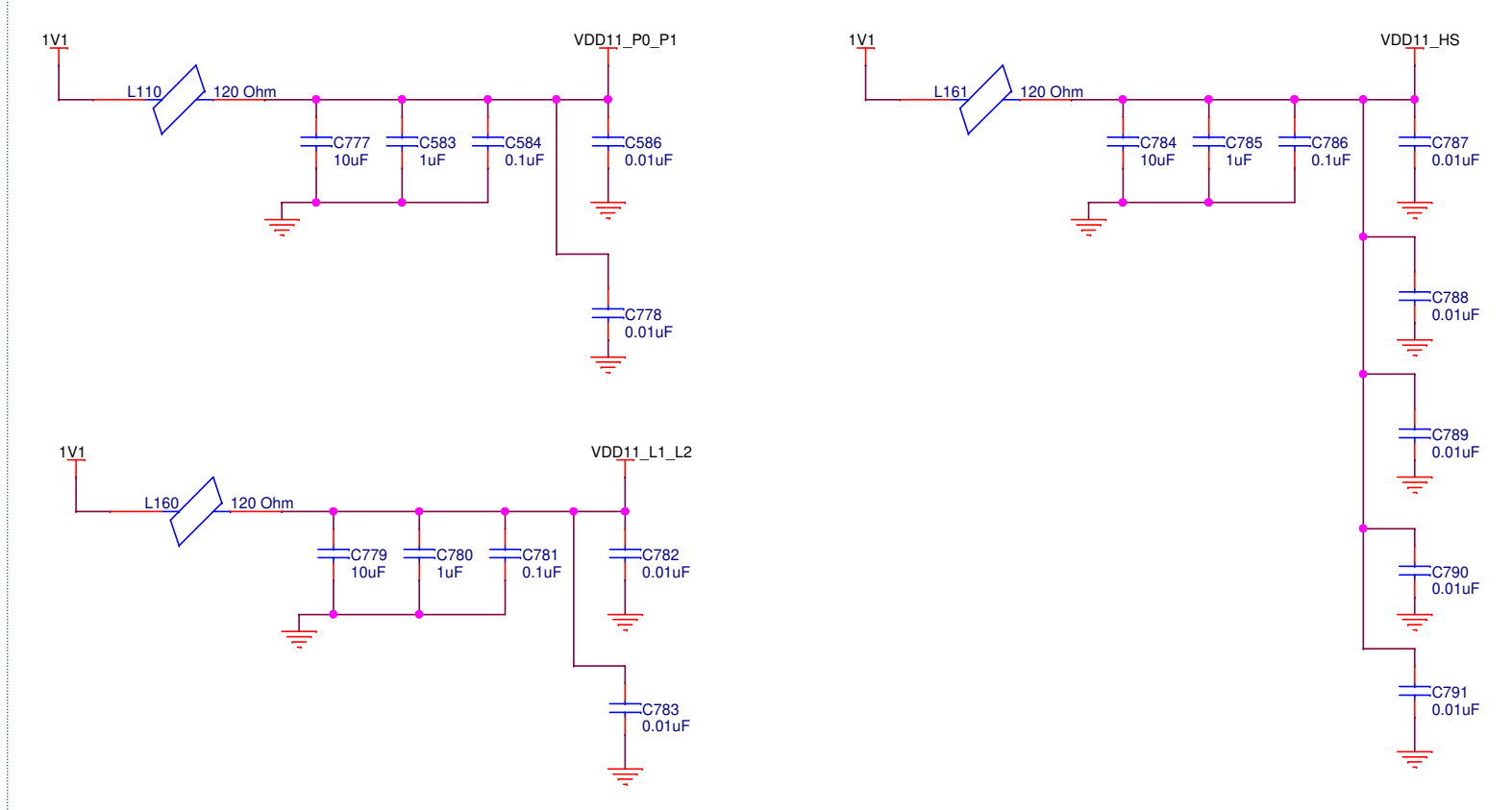
DSI TO FPD 1.1V Supply



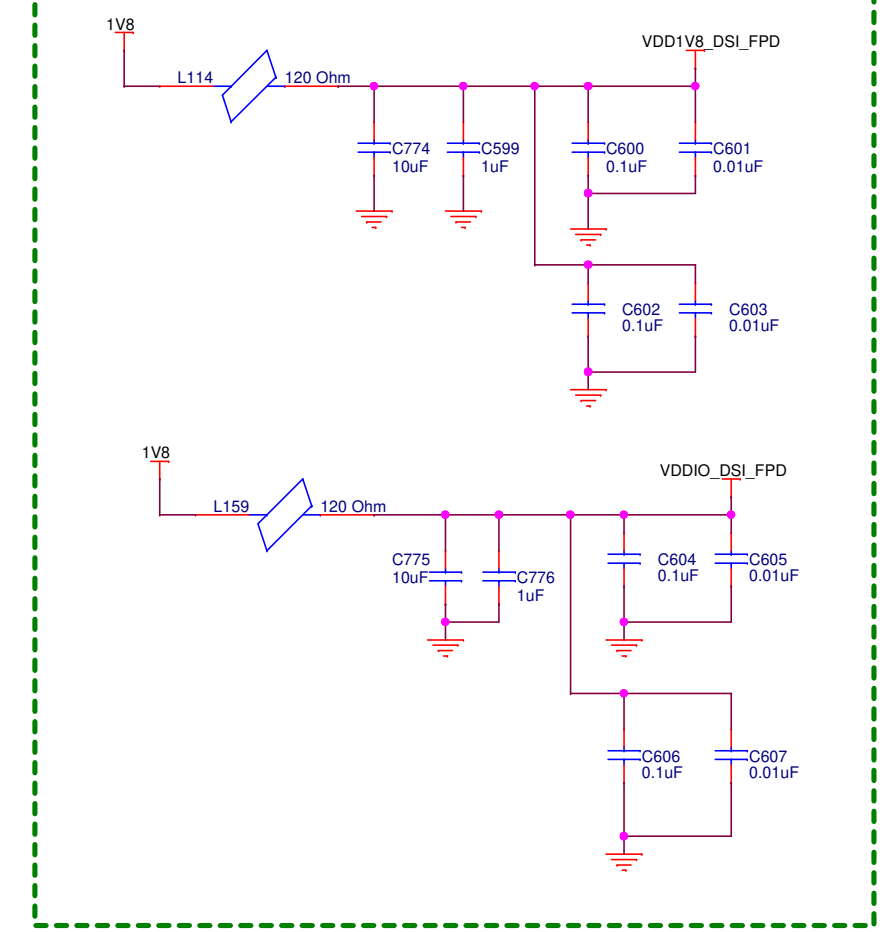
DSI TO FPD1.8V Supply



DSI TO FPD 1.1V PDN



DSI TO FPD 1.8V PDN



Title		
PDN_DSI_FPD		
Size	Document Number	Rev
A3	<Doc>	1.0
Date:	Monday, February 12, 2024	Sheet 1 of 1