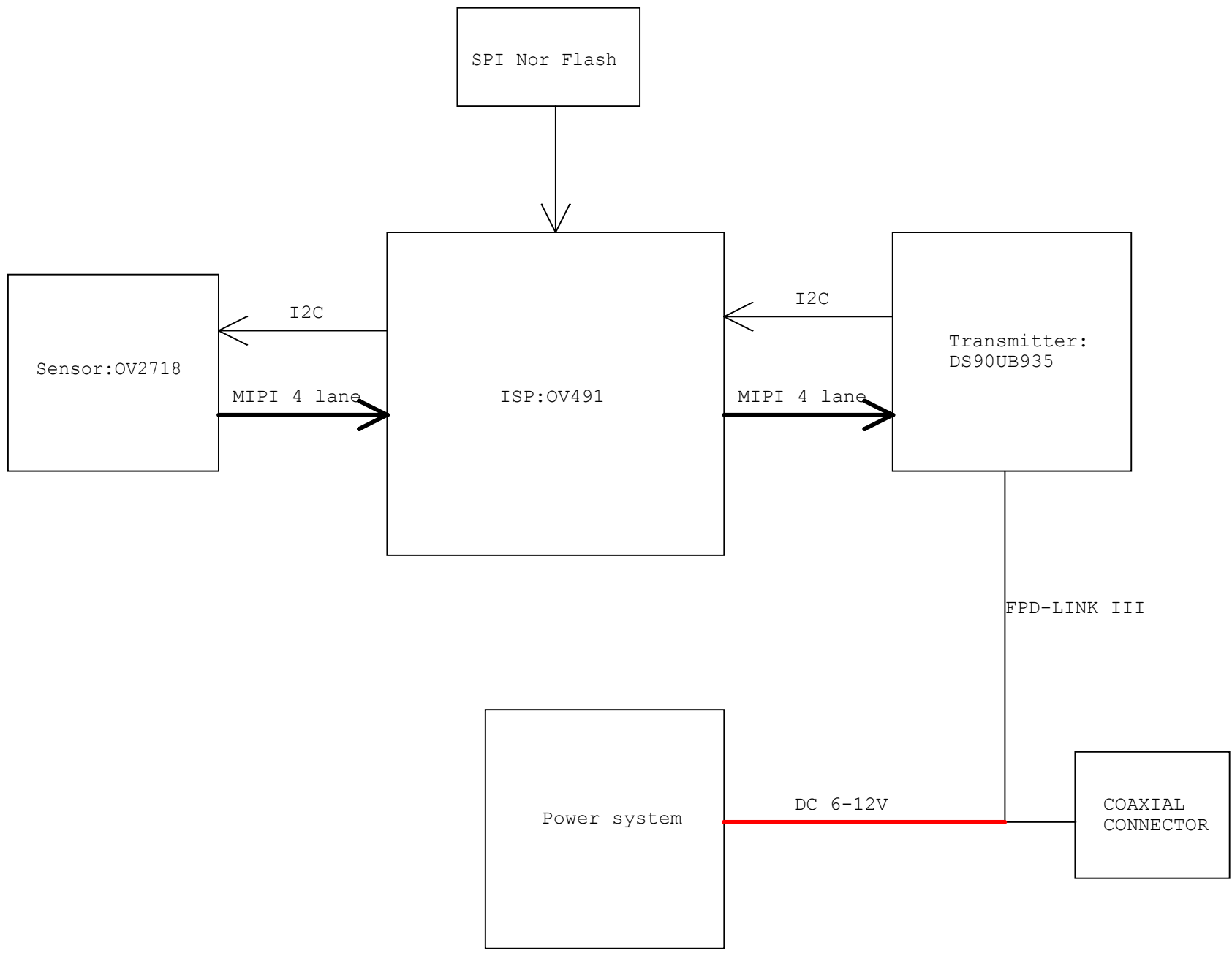


D

C

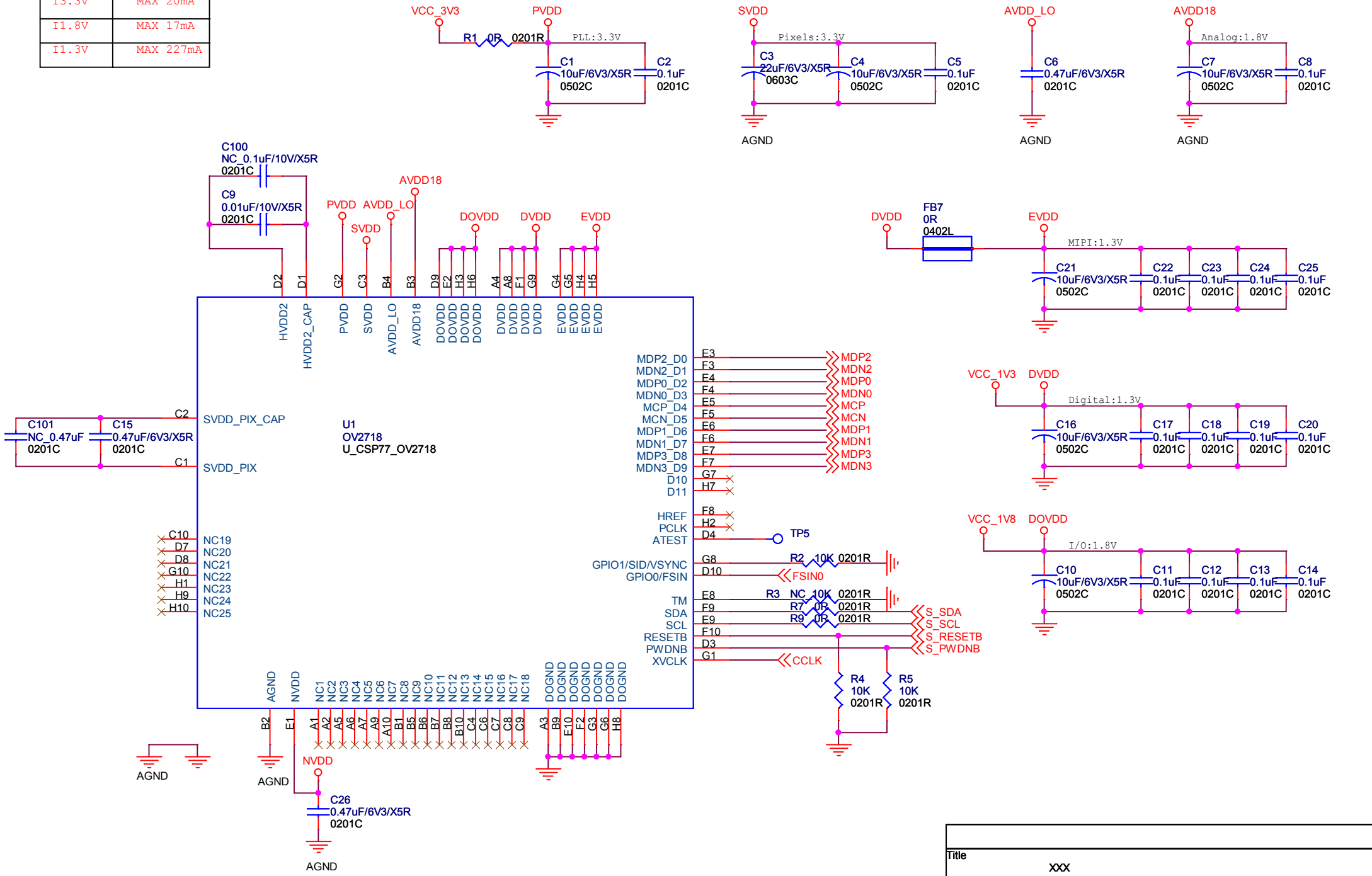
B

A

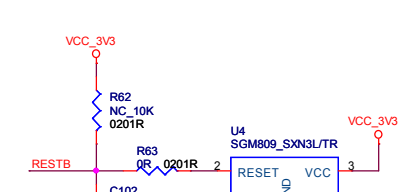
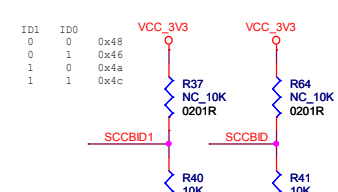
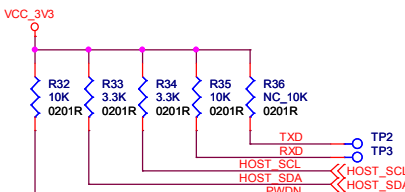
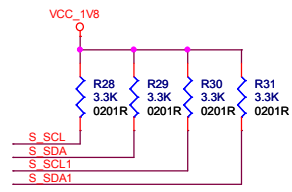
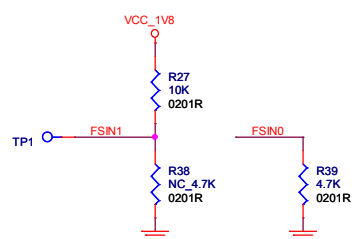
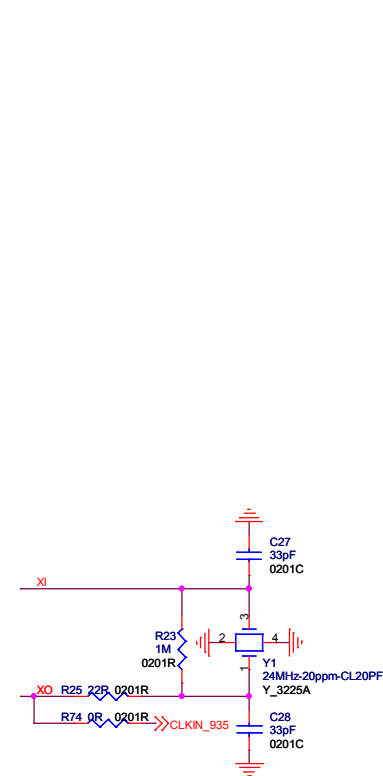
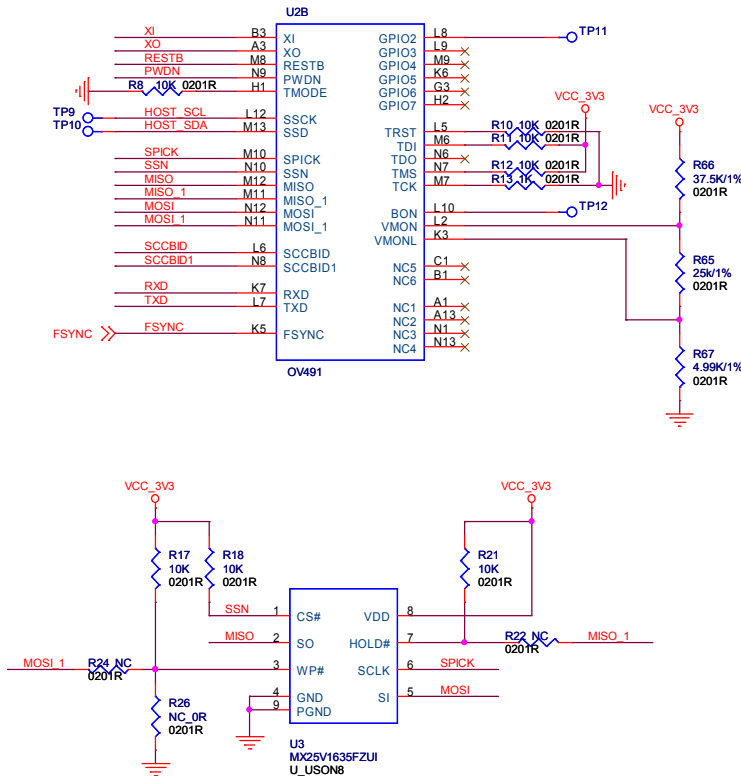
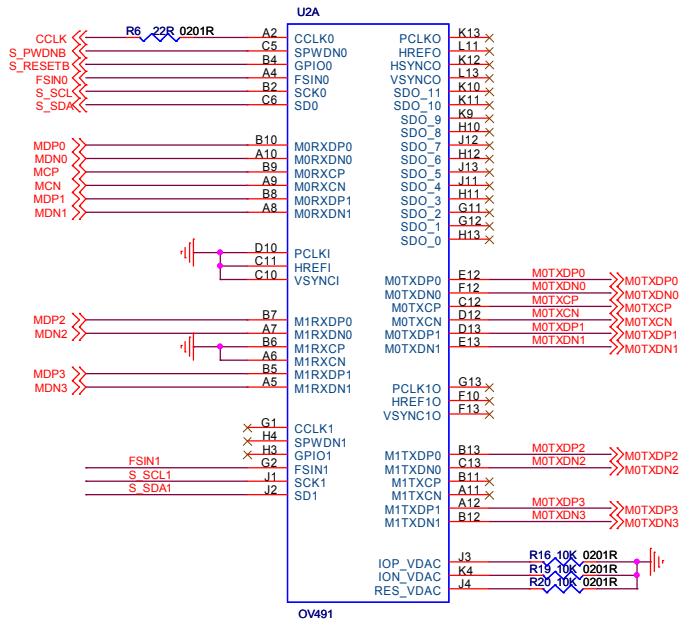


Title		
xxx		
Size	Document Number	Rev
A4	<Doc>	1.0
Date:	Thursday, September 10, 2020	Sheet 1 of 1

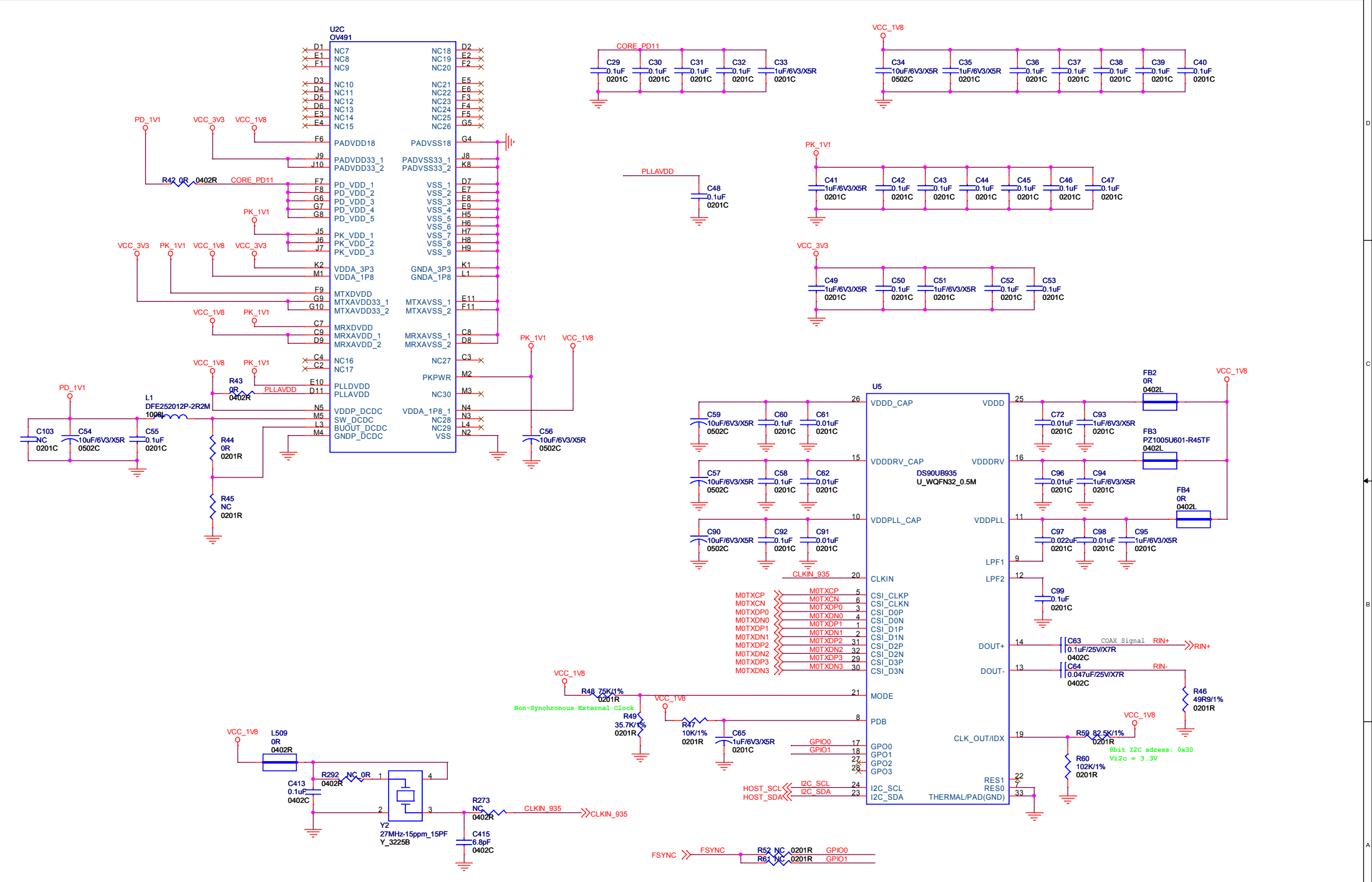
I3.3V	MAX 20mA
I1.8V	MAX 17mA
I1.3V	MAX 227mA



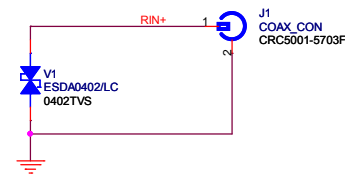
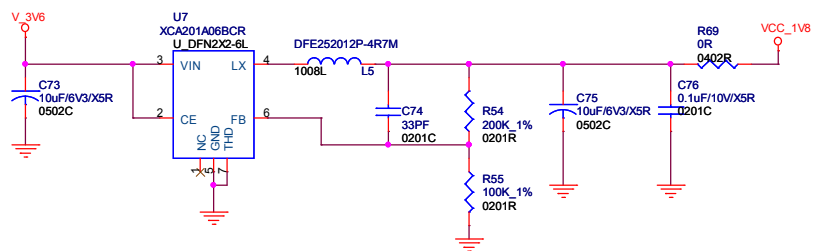
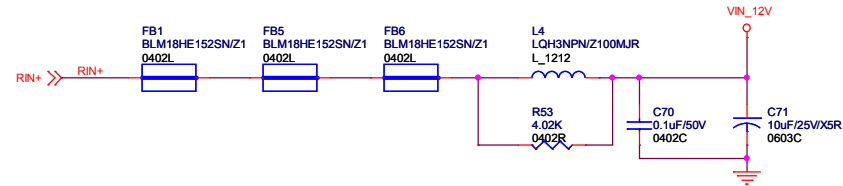
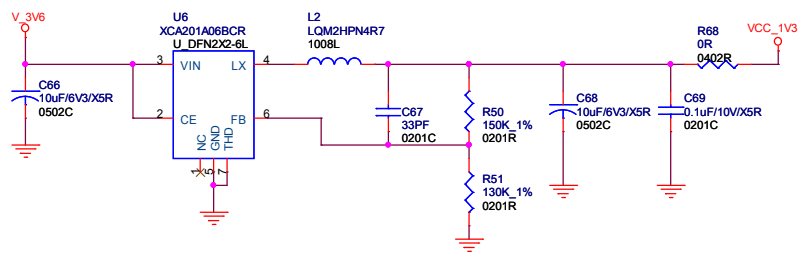
Title			xxx		
Size	Document Number				Rev
A4	OV2718				1.0
Date:	Wednesday, September 09, 2020	Sheet	2	of	5



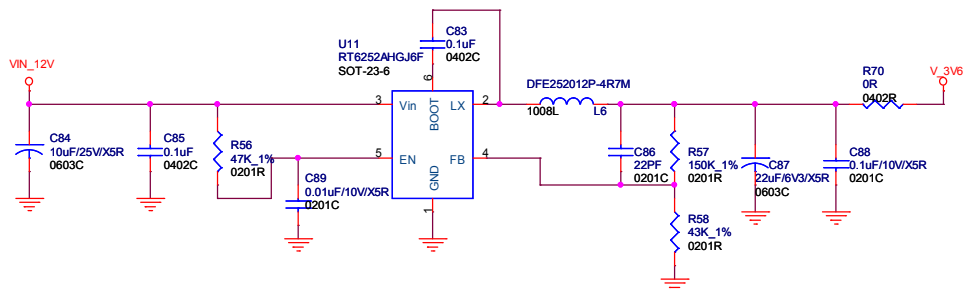
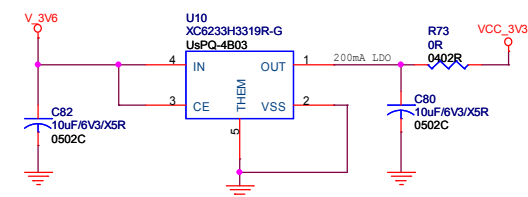
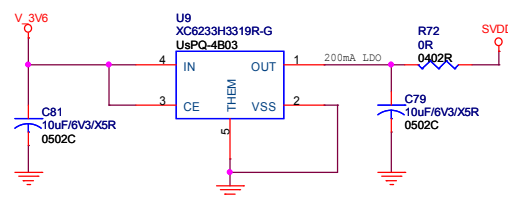
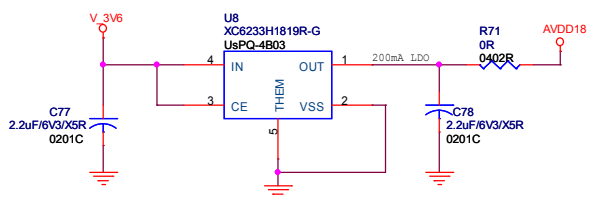
FSN1	FSN0	Mode
0	0	UART/SCCBS
0	1	SCCB Master (EEPROM)
1	0	SPI Master (SPI Flash)
1	1	SPI Slave



Title		xxx
Size	Document Number	Rev
A3	OV491 & DS90UB935	1.0
Date:	Thursday, September 10, 2020	Sheet 4 of 5



VCC_3V3	MAX mA
SVDD	MAX mA
VCC_1V8	MAX mA
AVDD18	MAX mA
VCC_1V3	MAX mA



Title		xxx
Size A3	Document Number	Power
Date:	Wednesday, September 09, 2020	Sheet 5 of 5
		Rev 1.0