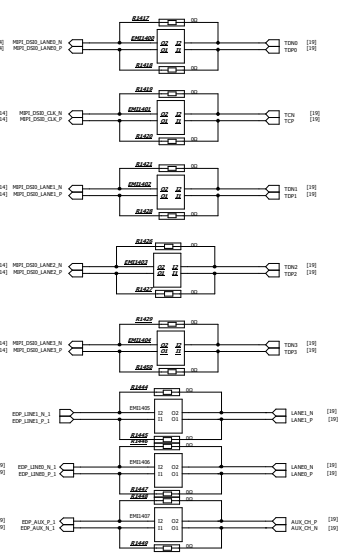
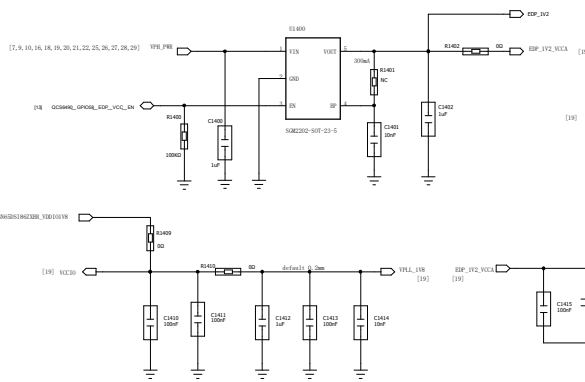
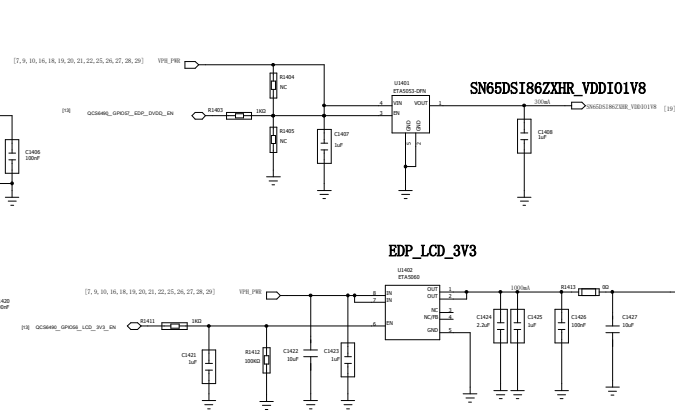


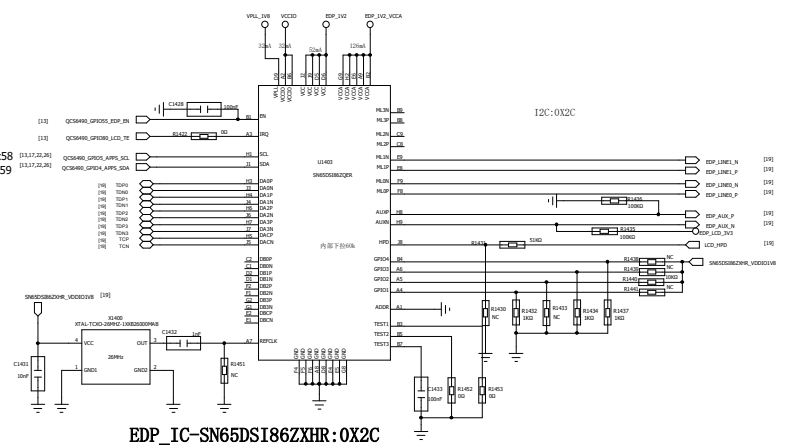
SN65DS186ZXHR_POWER



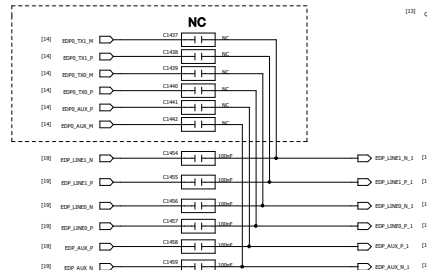
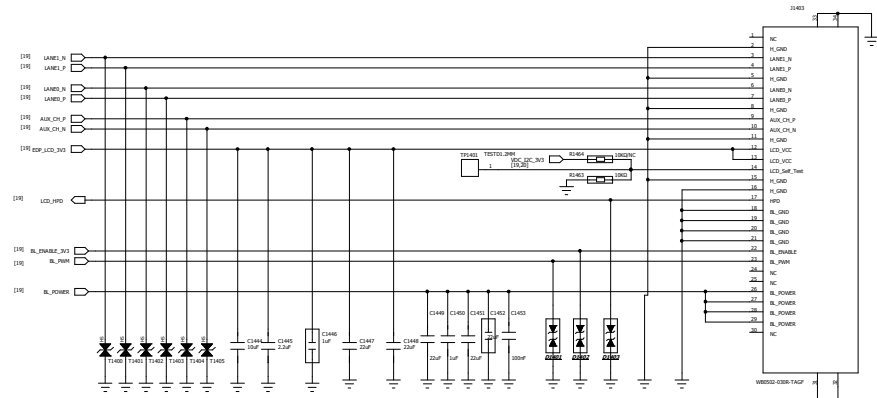
EDP



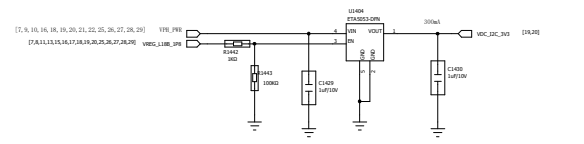
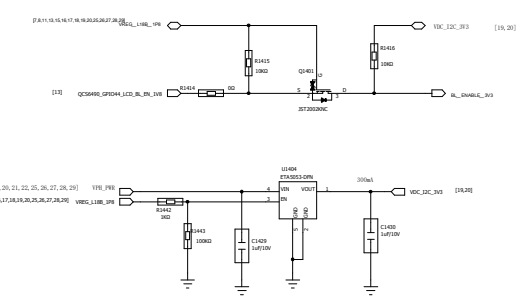
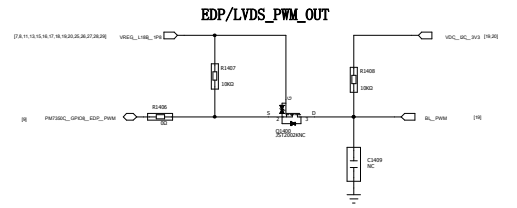
Write: 0x58
Read: 0x59



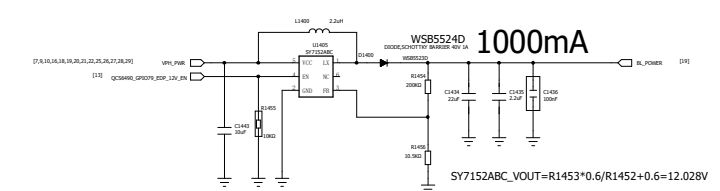
EDP_IC-SN65DS186ZXHR:0X2C



EDP/LVDS_PWM_OUT



DC_12V



$SY7152ABC_VOUT=R1453*0.6/R1452+0.6=12.028V$

MODEL	MC937	VER.	V1.00
TITLE	14_LCD/EDP		
DRAWN		DATED	
CHECKED		SHEET	14