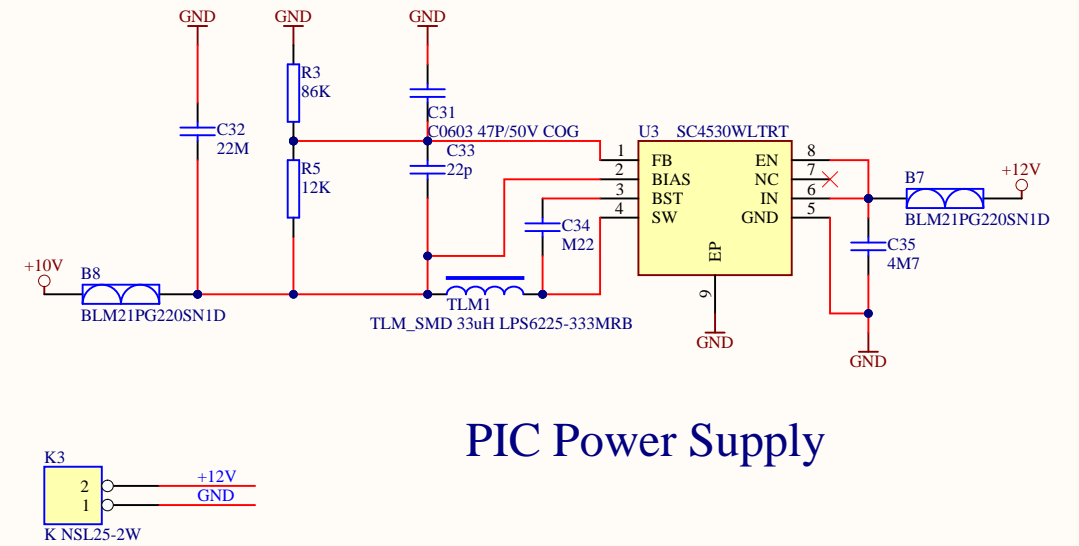
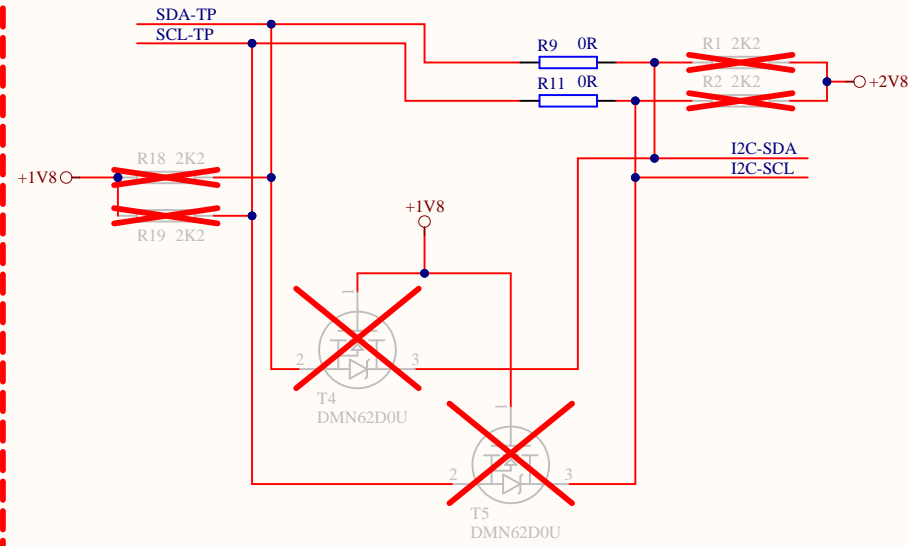
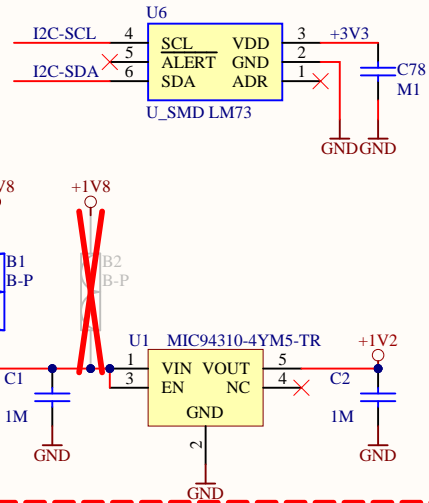
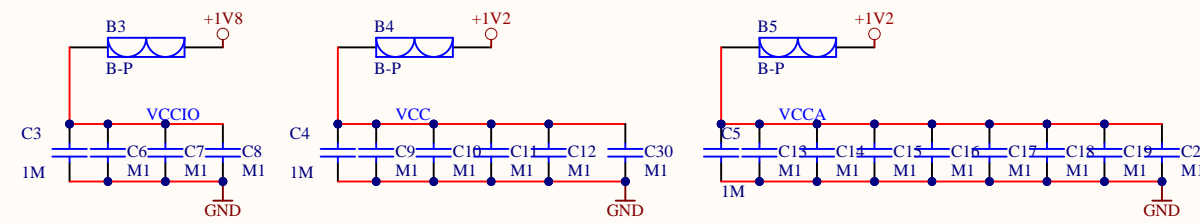
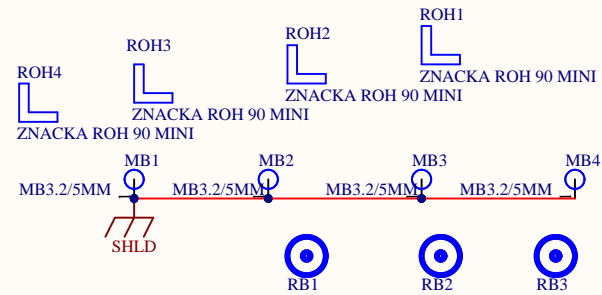


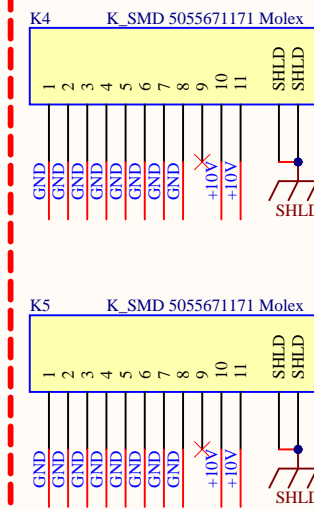
TEMPERATURE SENSOR



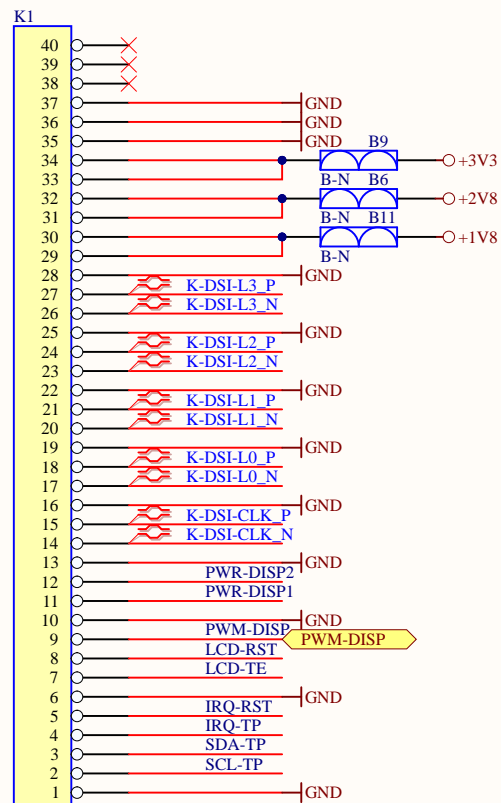
PIC Power Supply



To LCD

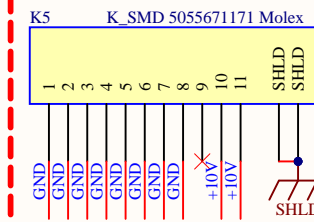
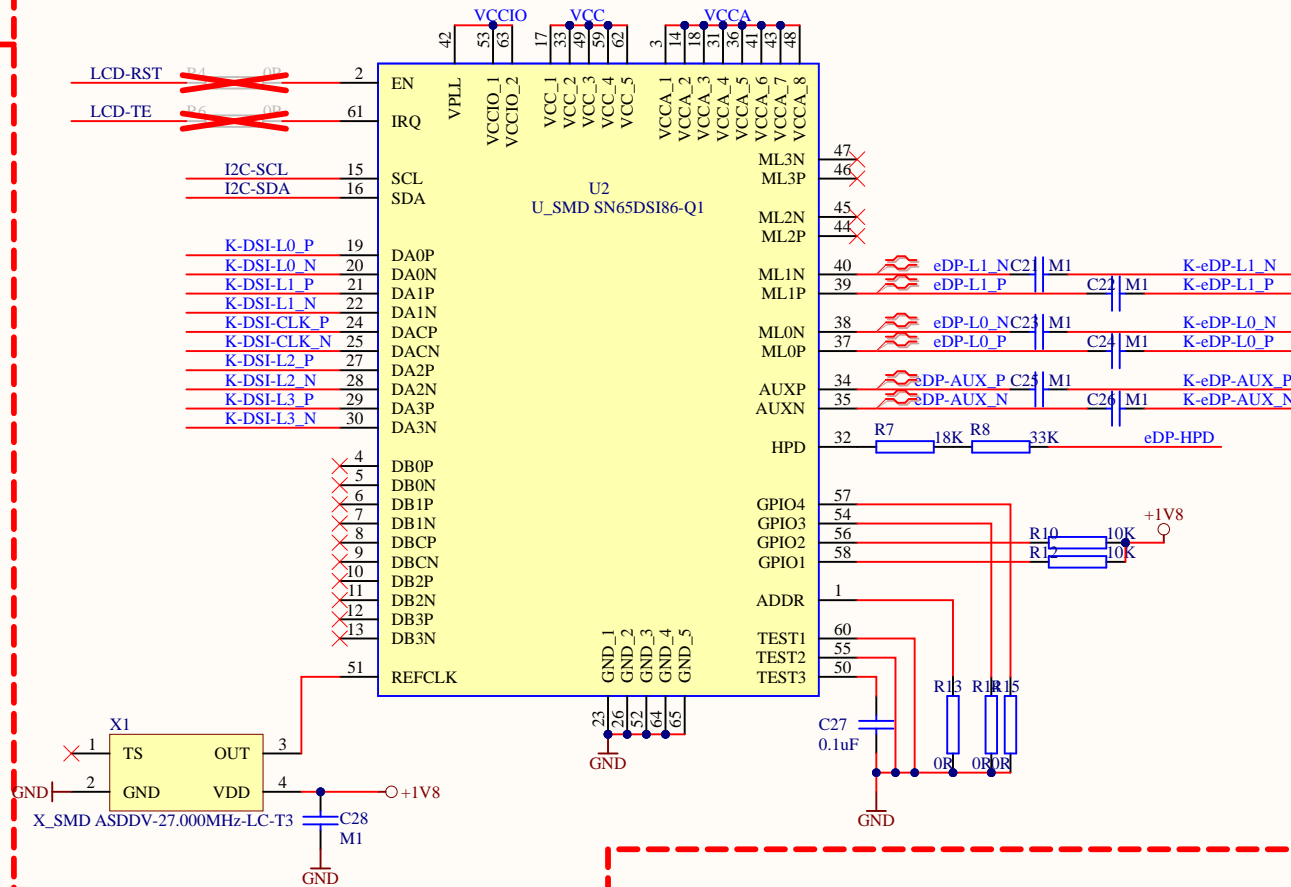


+12V	40	40
+12V	39	39
+12V	38	38
+12V	37	37
+12V	36	36
+12V	35	35
GND	34	34
GND	33	33
GND	32	32
GND	31	31
GND	30	30
GND	29	29
GND	28	28
GND	27	27
GND	26	26
GND	25	25
GND	24	24
GND	23	23
GND	22	22
GND	21	21
eDP-HPD	20	20
GND	19	19
K-eDP-AUX_N	18	18
K-eDP-AUX_P	17	17
GND	16	16
K-eDP-L0_P	15	15
K-eDP-L0_N	14	14
GND	13	13
K-eDP-L1_P	12	12
K-eDP-L1_N	11	11
GND	10	10
GND	9	9
GND	8	8
GND	7	7
GND	6	6
GND	5	5
GND	4	4
GND	3	3
GND	2	2
GND	1	1



To MotherBoard

Molex 541044031



P1	SHIELD	SHIELD
P2	SHIELD	SHIELD
P3	SHIELD	SHIELD
P4	SHIELD	SHIELD
P5	SHIELD	SHIELD
P6	SHIELD	SHIELD
P7	SHIELD	SHIELD
P8	SHIELD	SHIELD
P9	SHIELD	SHIELD
P10	SHIELD	SHIELD
P11	SHIELD	SHIELD
P12	SHIELD	SHIELD

Format: A3	Kreslil: Ing. Lukáš ČEPEC	Schválil:	Dna: 22. 11. 2022
EMtest	Typ: Interface pre 10" MIPI Displej	C.vykr.: EM8260_102022V0	Poz:
	Nazov: EM826.0V0		Listov: 1
Schema zapojenia		List: 11	