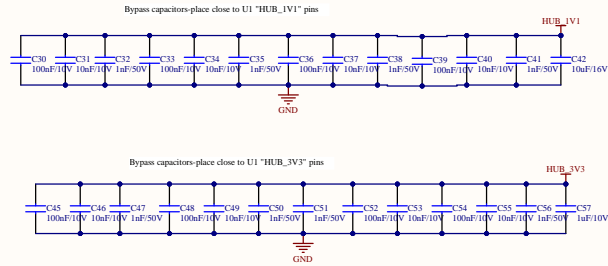
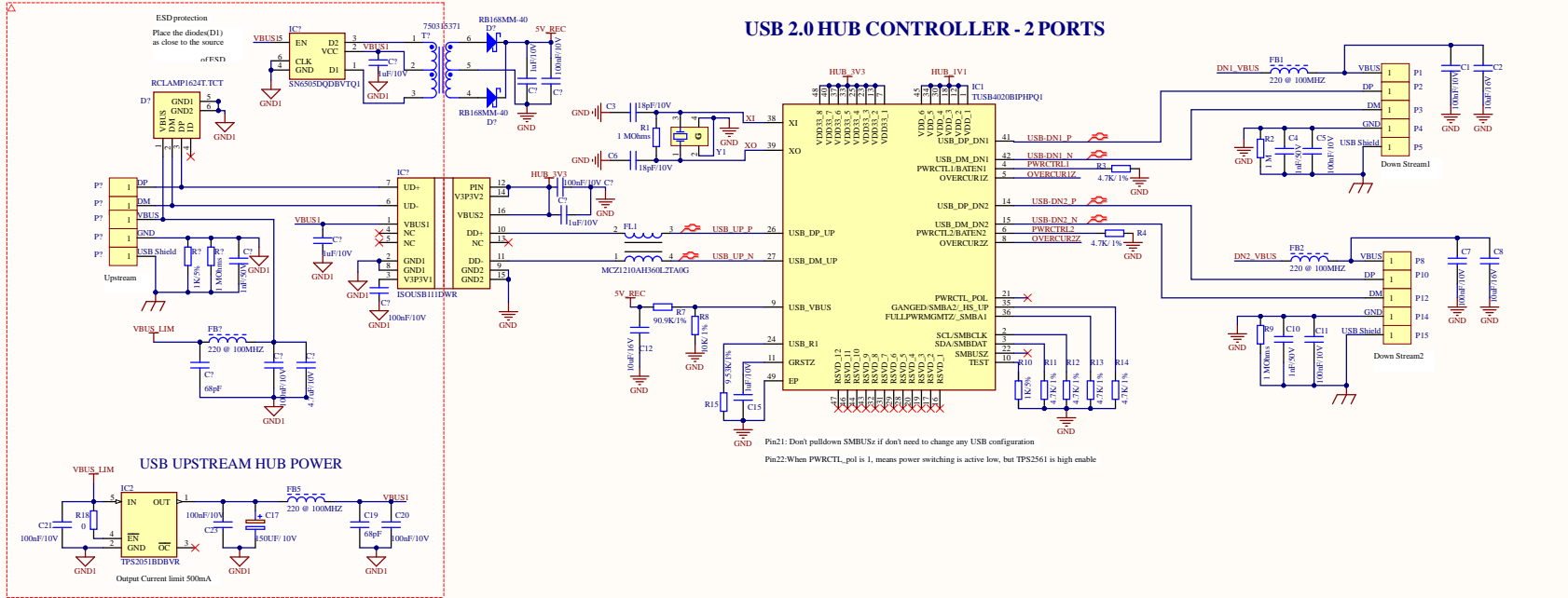


(Pin1): GRSTZ. For passive reset, connect 1uF capacitor and VDD must be stable before VDD33. For active reset, VDD33 must be stable before the VDD11 supply and meet the 3ms power-up delay.

USB 2.0 HUB CONTROLLER - 2 PORTS



Board Stack Report