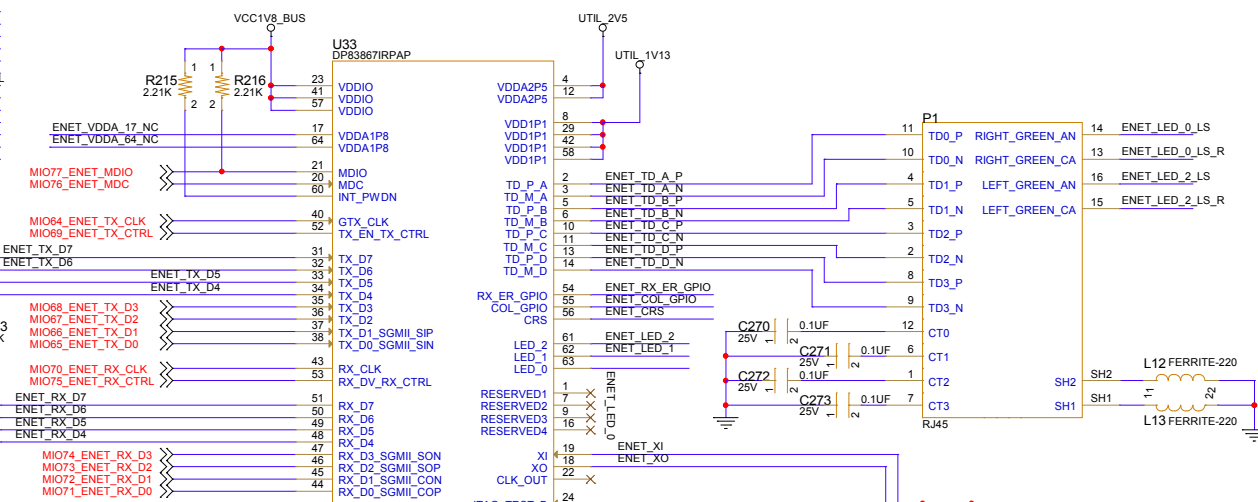
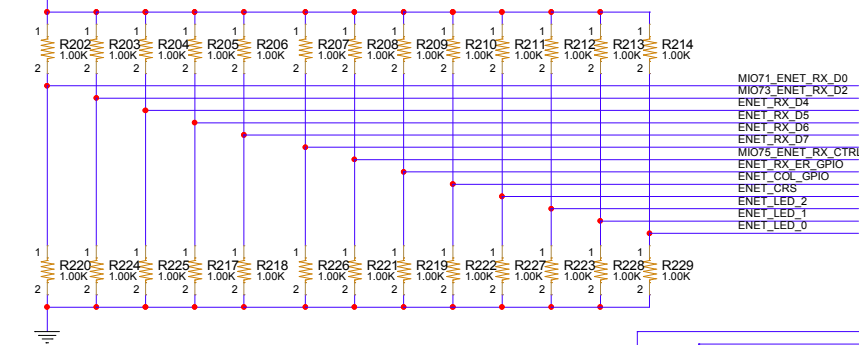


VCC1V8_BUS
STRAP CONFIGURATION RESISTORS: SEE DP83867 DATASHEET



THESE CAPACITORS ARE PLACED AS CLOSE AS POSSIBLE TO THEIR RESPECTIVE DP83867 PINS

