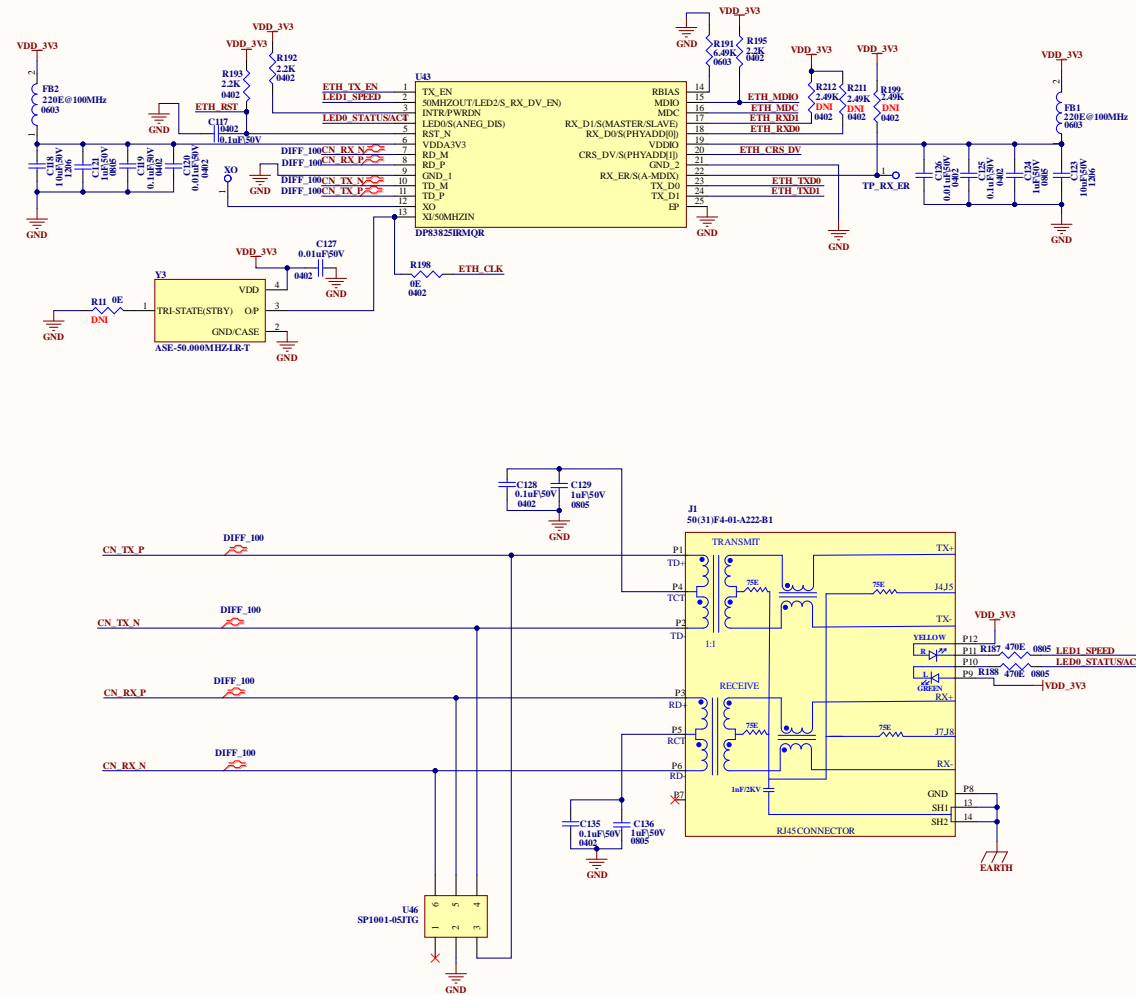


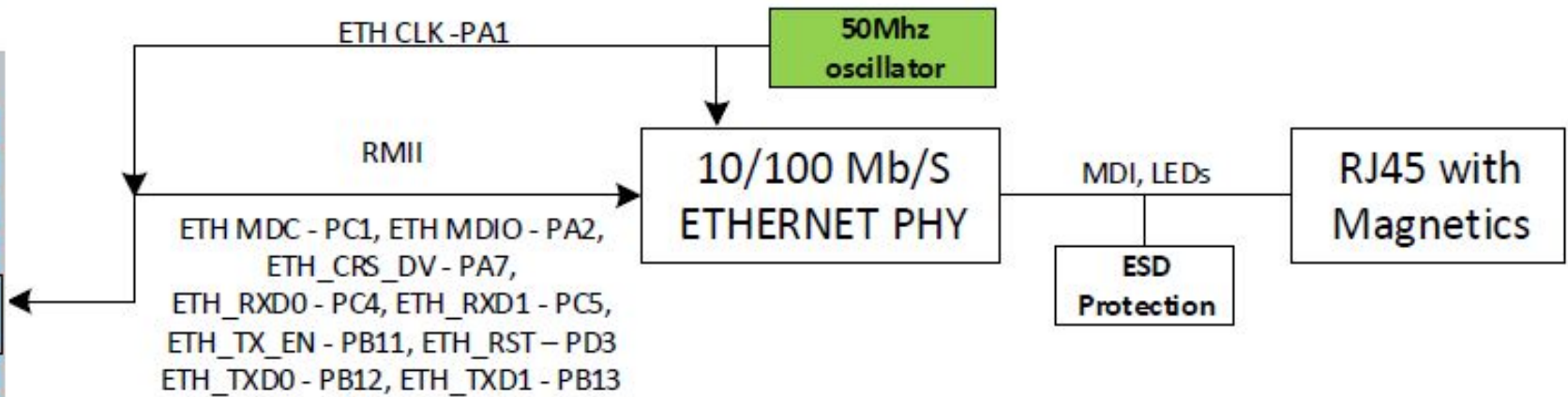
# ETHERNET SECTION



# Solution Block Diagram

## STM32H753

Connectivity
TFT LCD controller
HDMI-CEC
6x SPI, 3x I <sup>2</sup> S, 4x I <sup>2</sup> C
Camera interface
Ethernet MAC 10/100 with IEEE 1588
MDIO slave
2x FDCAN (Flexible Data rate)
1x USB 2.0 OTG FS/HS
1x USB 2.0 OTG FS
2x SDMMC
4x USART + 4 UART LIN, smartcard, IrDA,



# CONTROLLER SECTION

