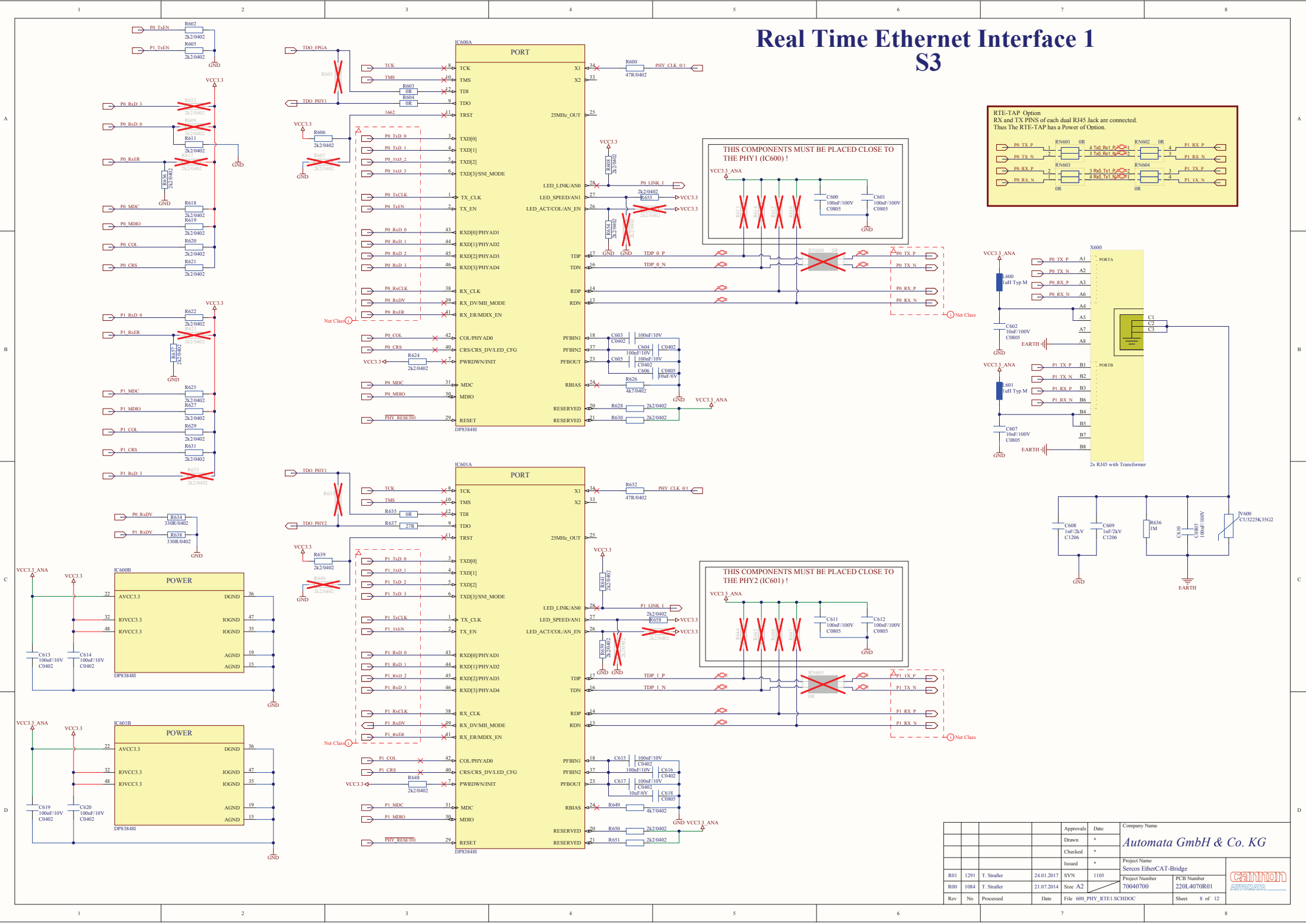


Real Time Ethernet Interface 1 S3



RTE-TAP Option
RX and TX PINS of each dual RJ45 Jack are connected. Thus The RTE-TAP has a Power of Option.

VCC3.3_ANA
PORTA
PORTB
2x RJ45 with Transformer

C608 100nF/100V C1206
C609 100nF/100V C1206
R636 1M
TV600 CU325K35G2
EARTH

| | | | | Approvals | Date | Company Name | |
|-----|------|-------------|------------|-----------|---------------------|--|--|
| | | | | Drawn | * | Automata GmbH & Co. KG | |
| | | | | Checked | * | | |
| | | | | Issued | * | | |
| R01 | 1291 | T. Stralder | 24.01.2017 | SVN | 1105 | Project Name Sercos EtherCAT-Bridge | |
| R00 | 1084 | T. Stralder | 21.07.2014 | Size | A2 | Project Number 70040700 | |
| Rev | No | Processed | Date | File | 600_PHY RTE1.SCHDOC | PCB Number 220L4070R01 | |
| | | | | | | Sheet 8 of 12 | |

