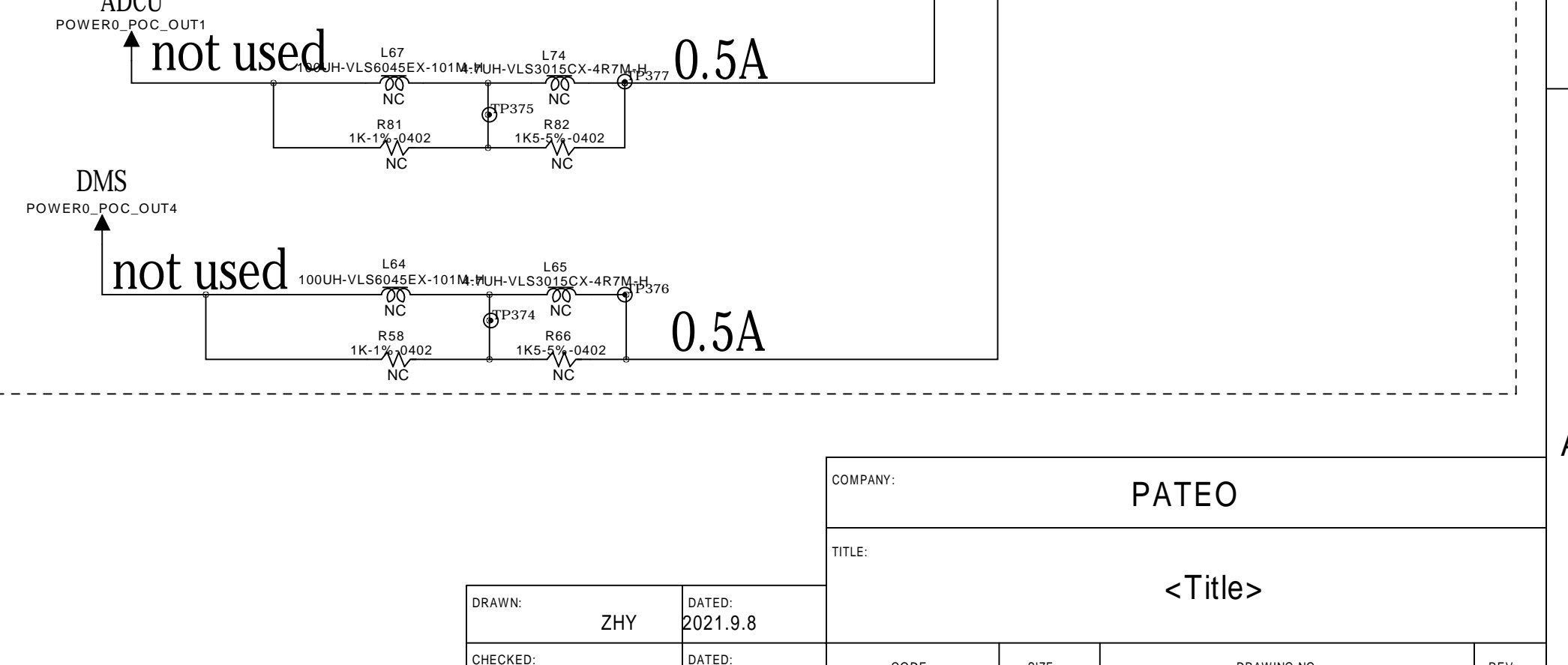
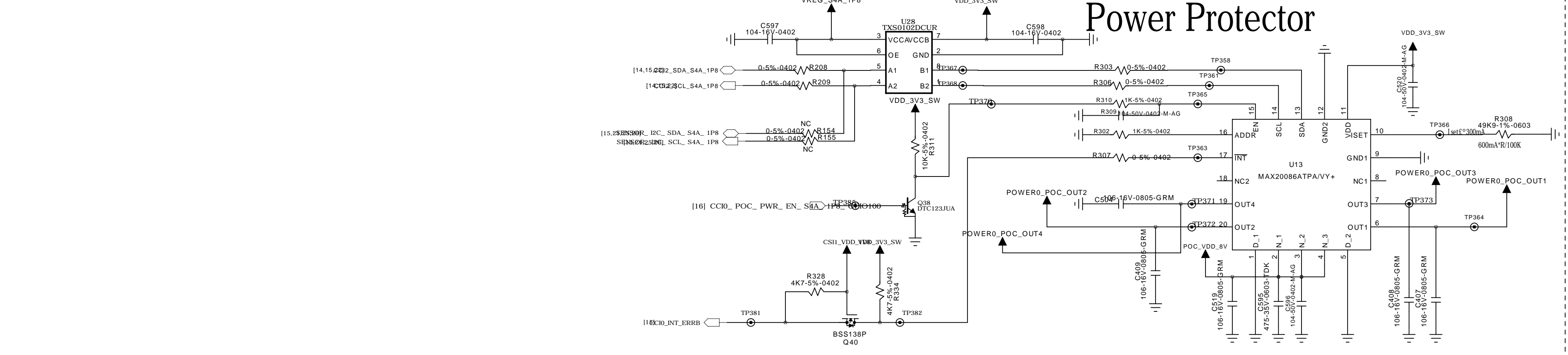
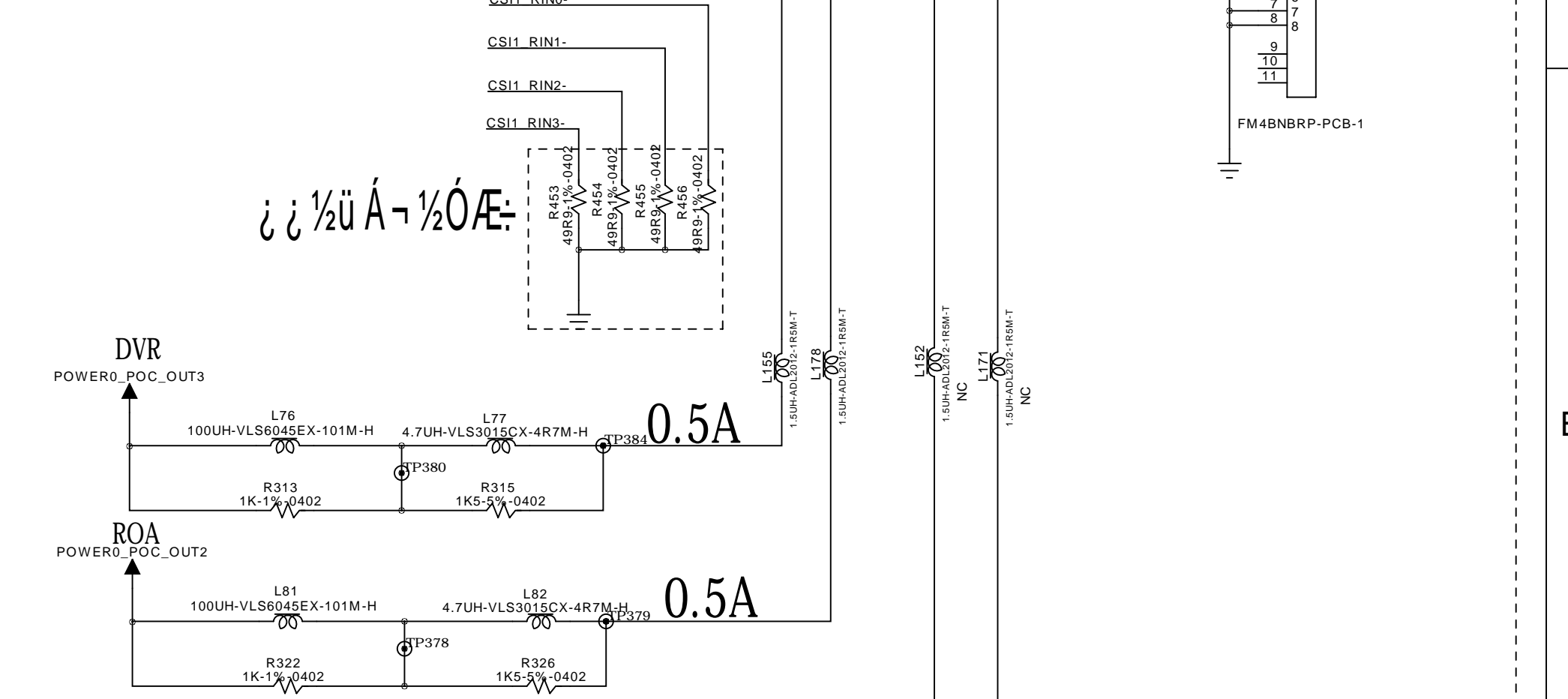
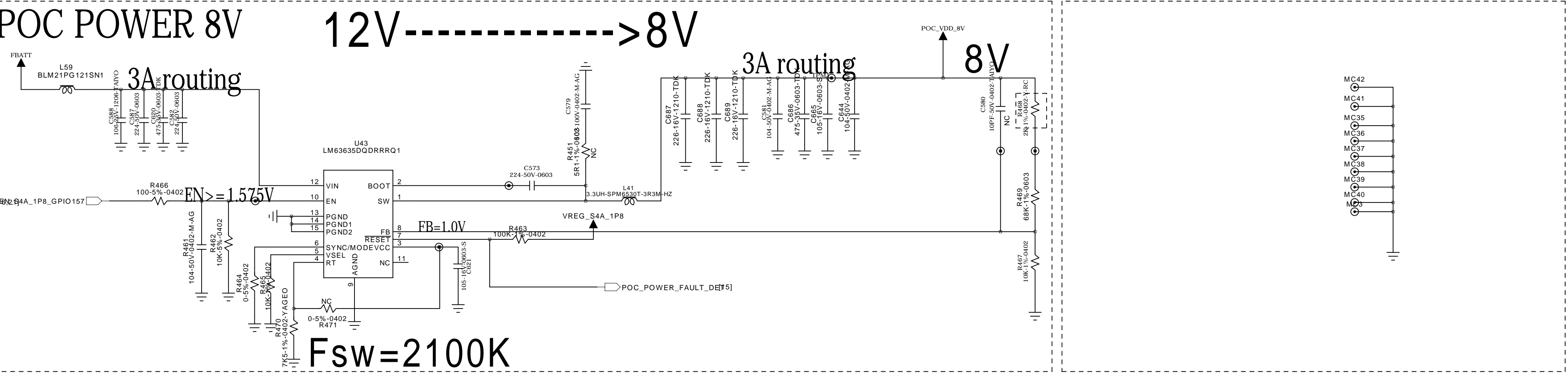
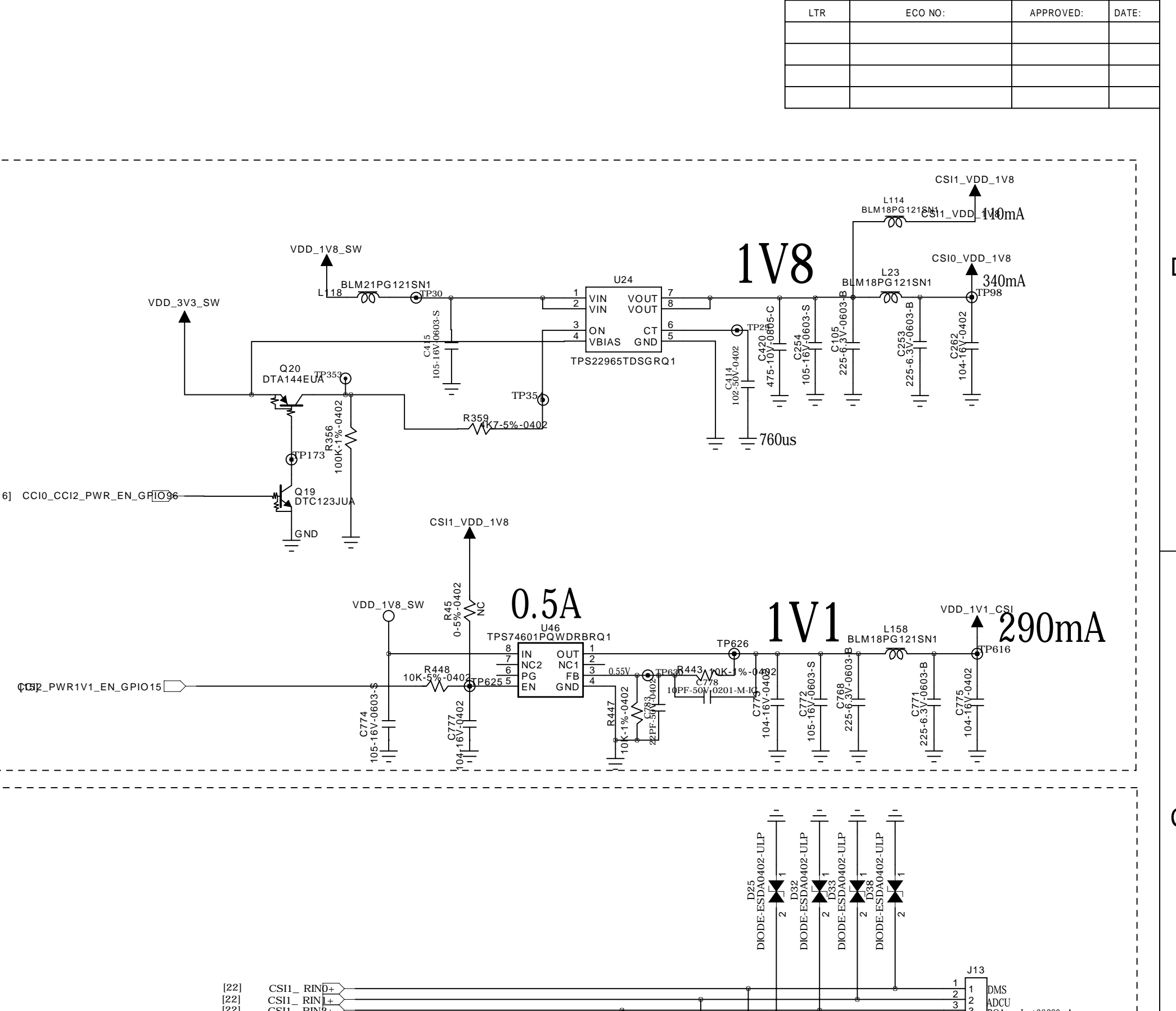
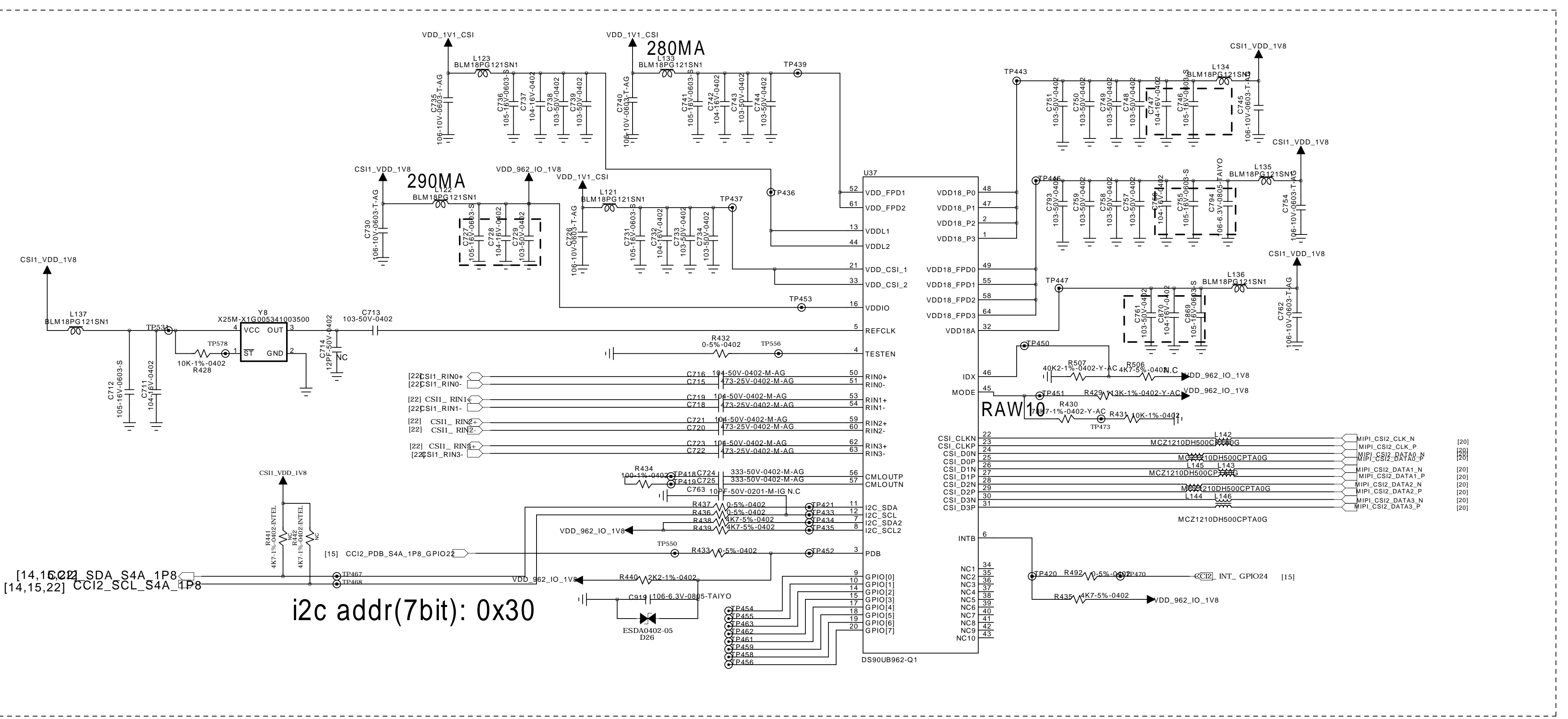


REVISION RECORD			
LTR	ECO NO.	APPROVED:	DATE:



DRAWN: ZHY		DATED: 2021.9.8		COMPANY: PATEO	
CHECKED: <Checked By>		DATED: <Checked Date>		TITLE: <Title>	
QUALITY CONTROL: <QC By>		DATED: <QC Date>		CODE: <Code>	SIZE: D <Drawing Number>
RELEASED: <Released By>		DATED: <Release Date>		DRAWING NO: V1.0	
SCALE: <Scale>				SHEET: 22 33	