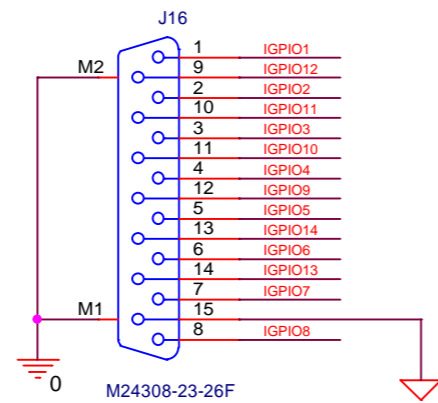
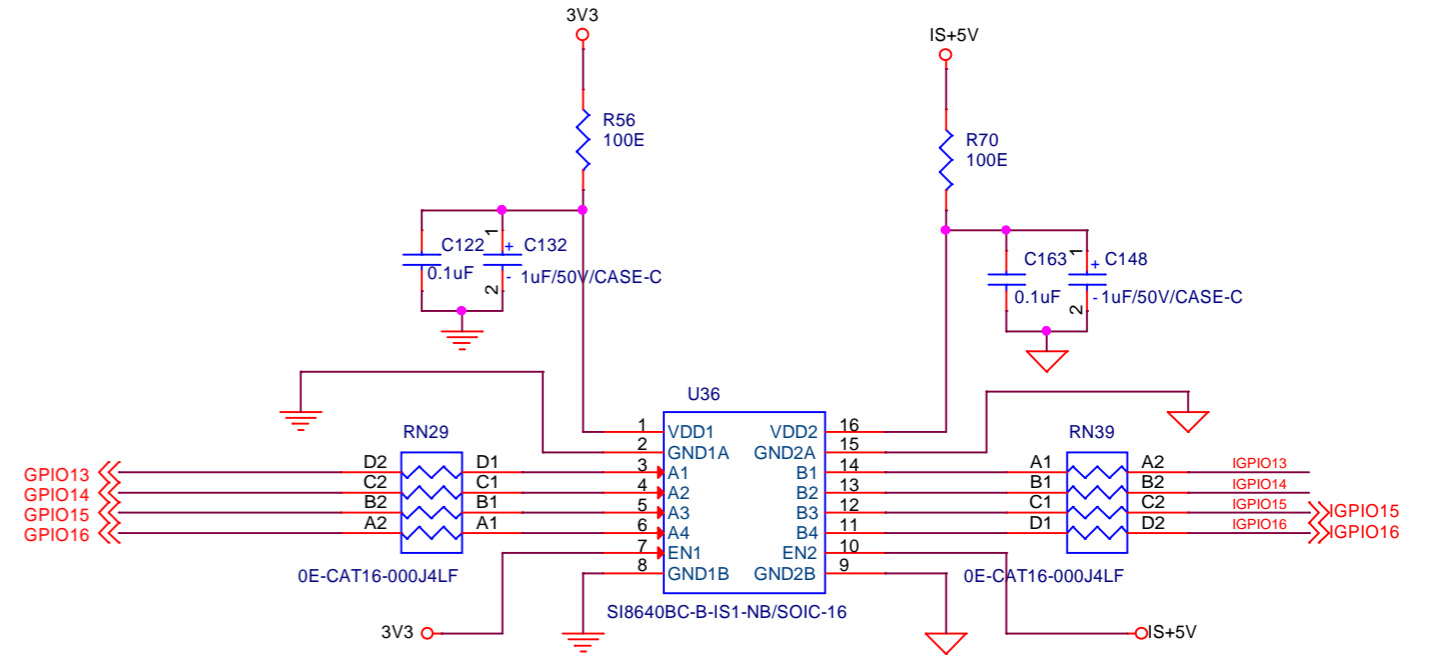
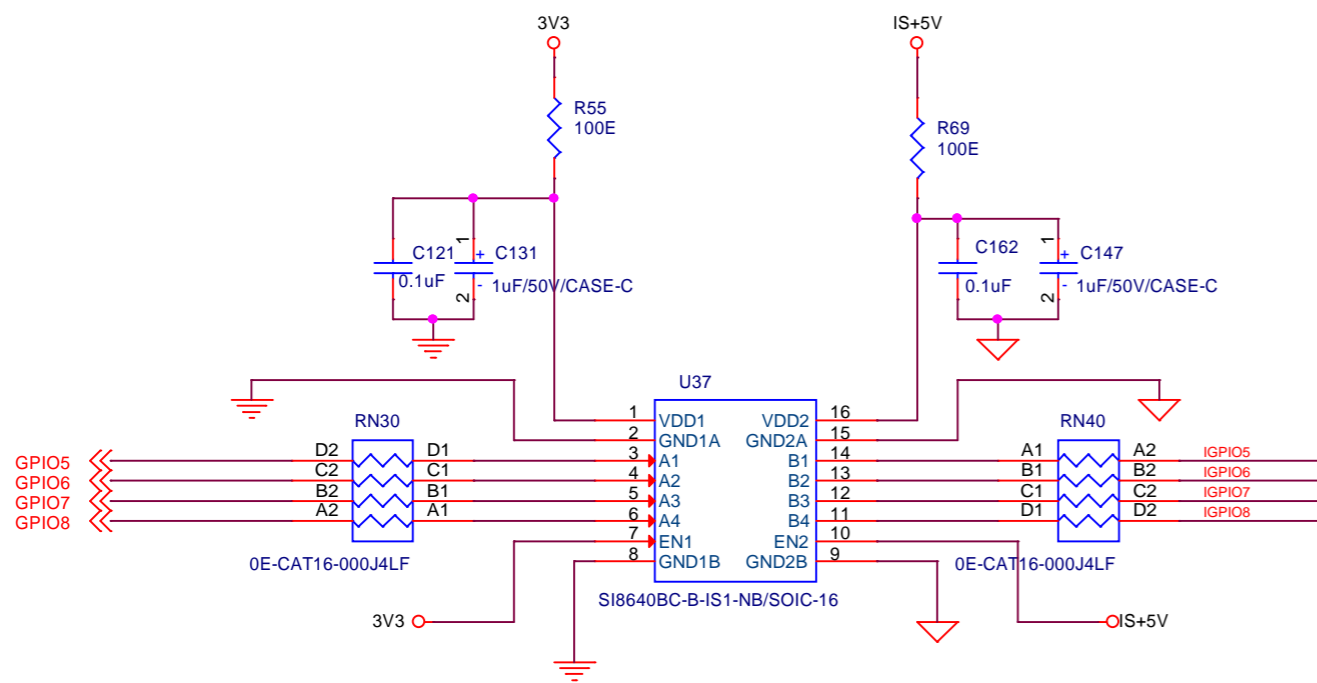
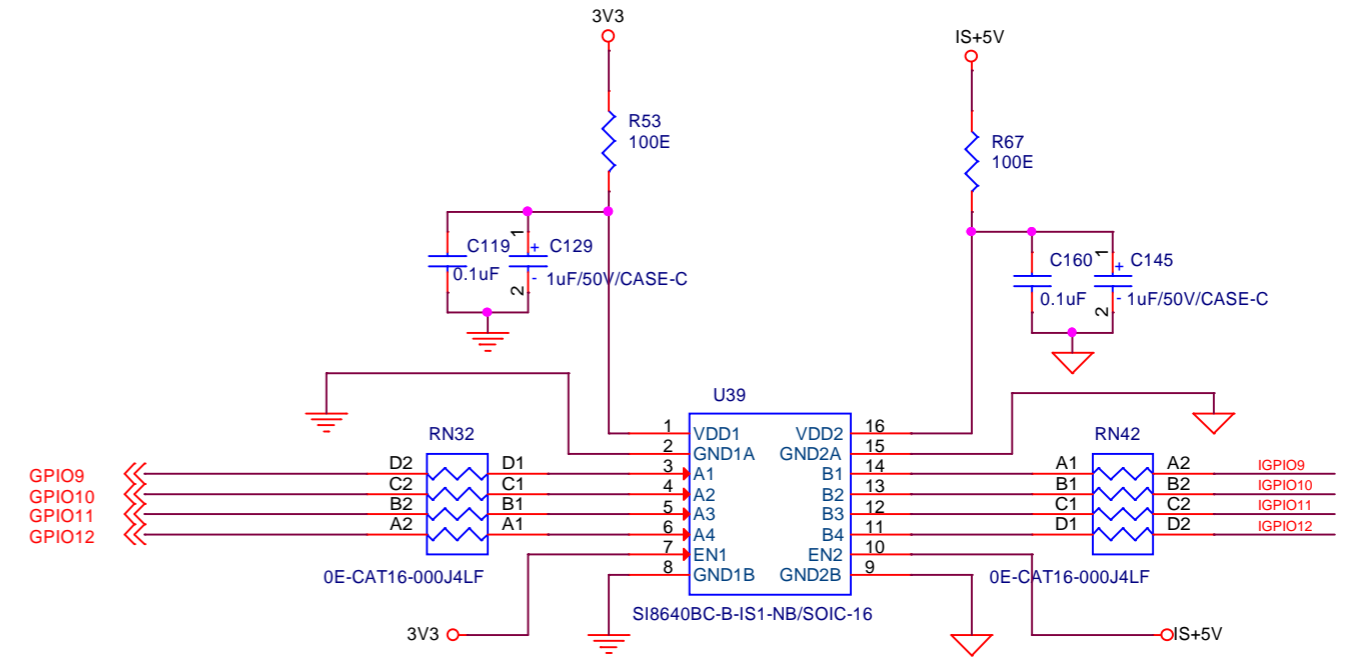
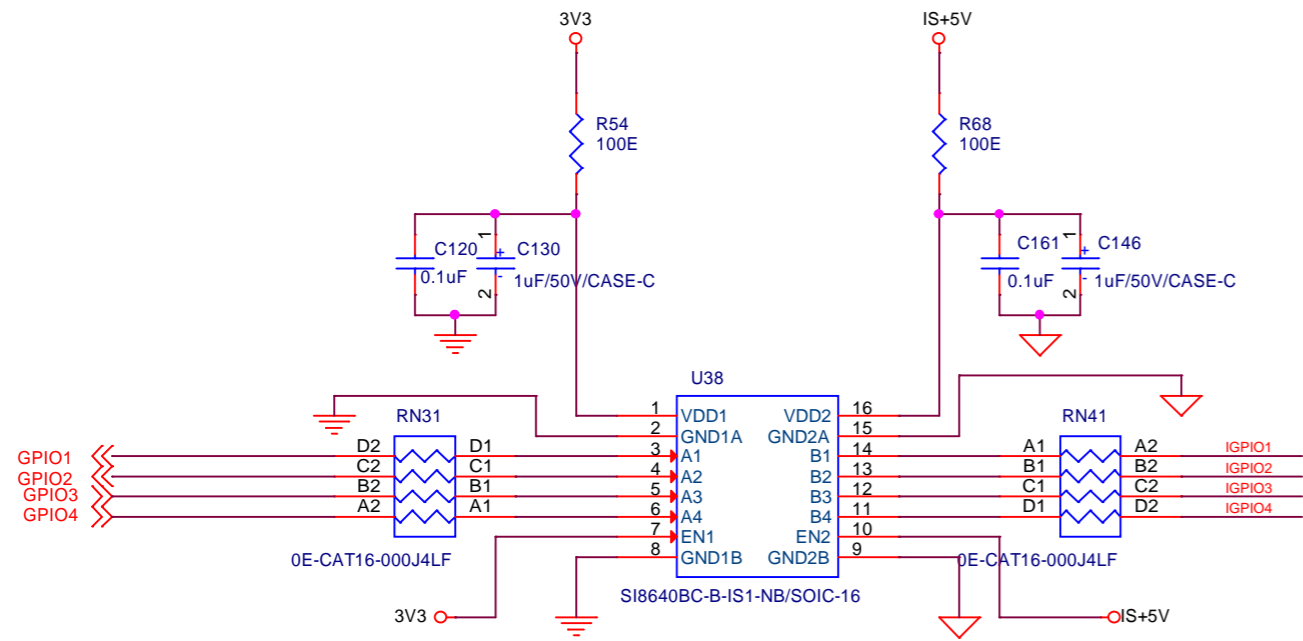
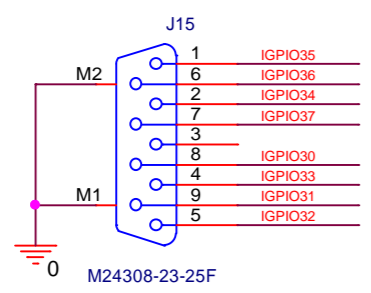
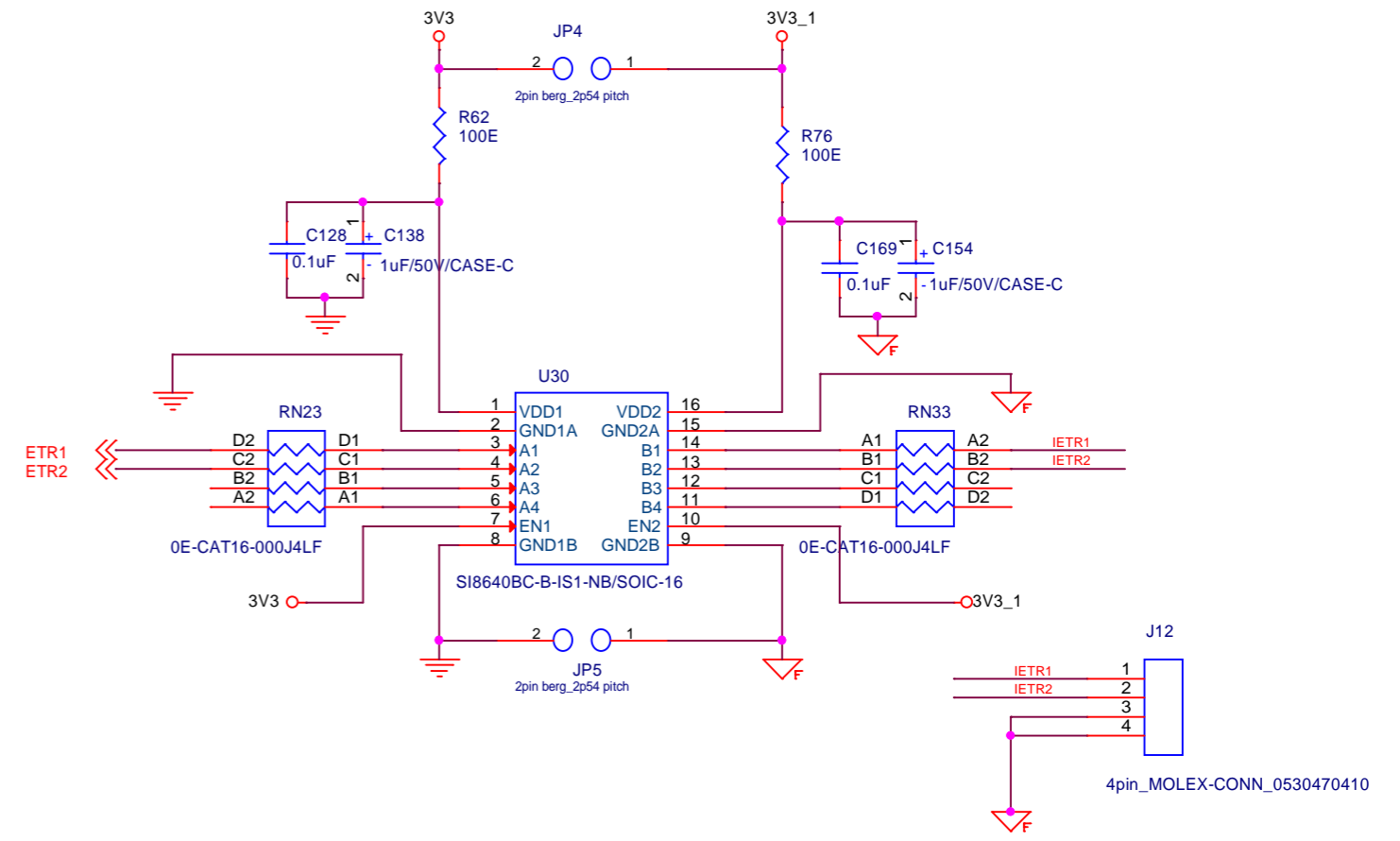
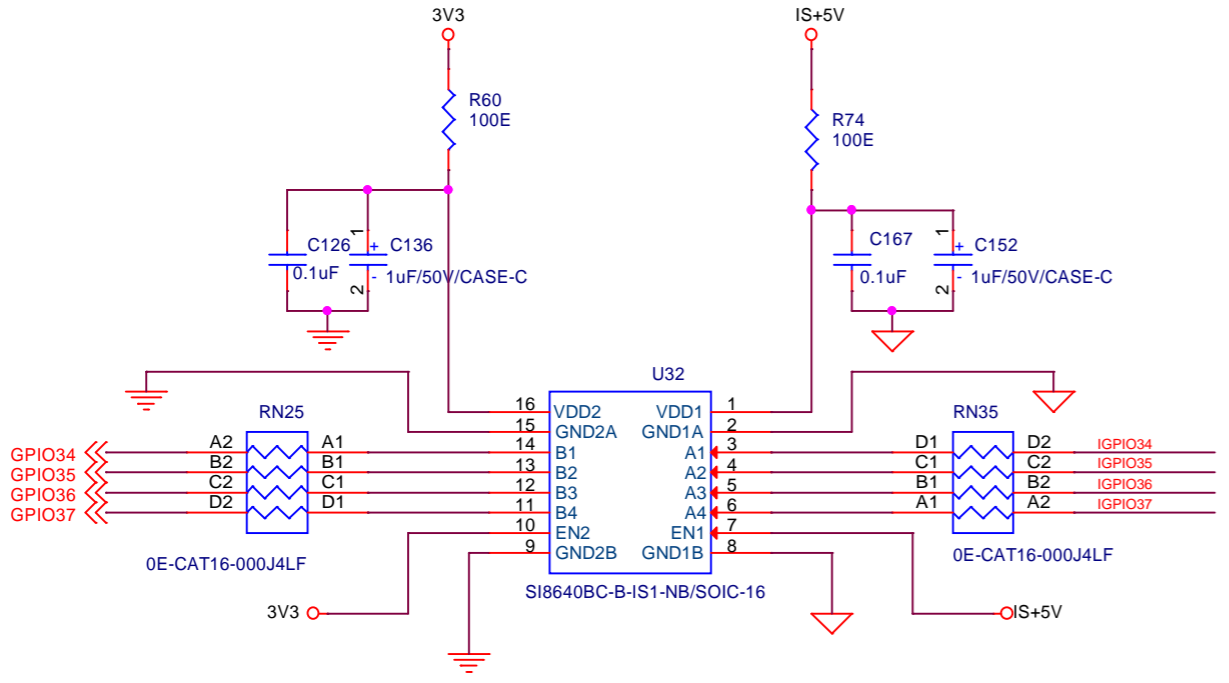
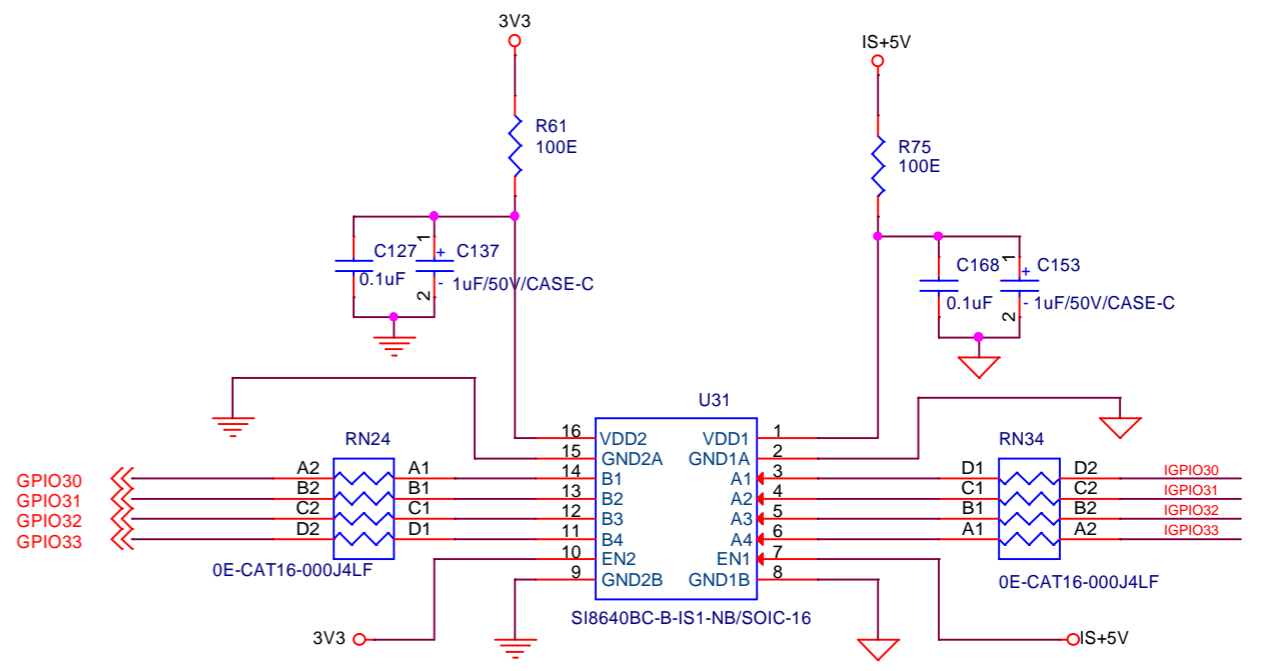
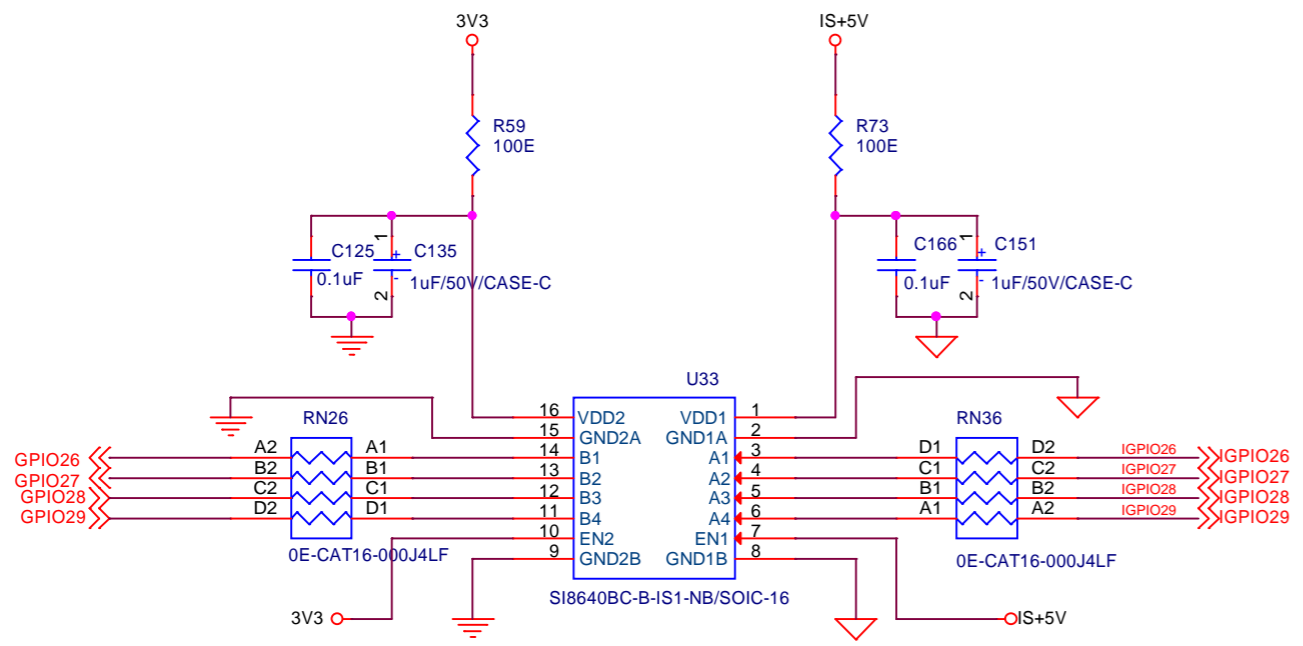


GPIO RF



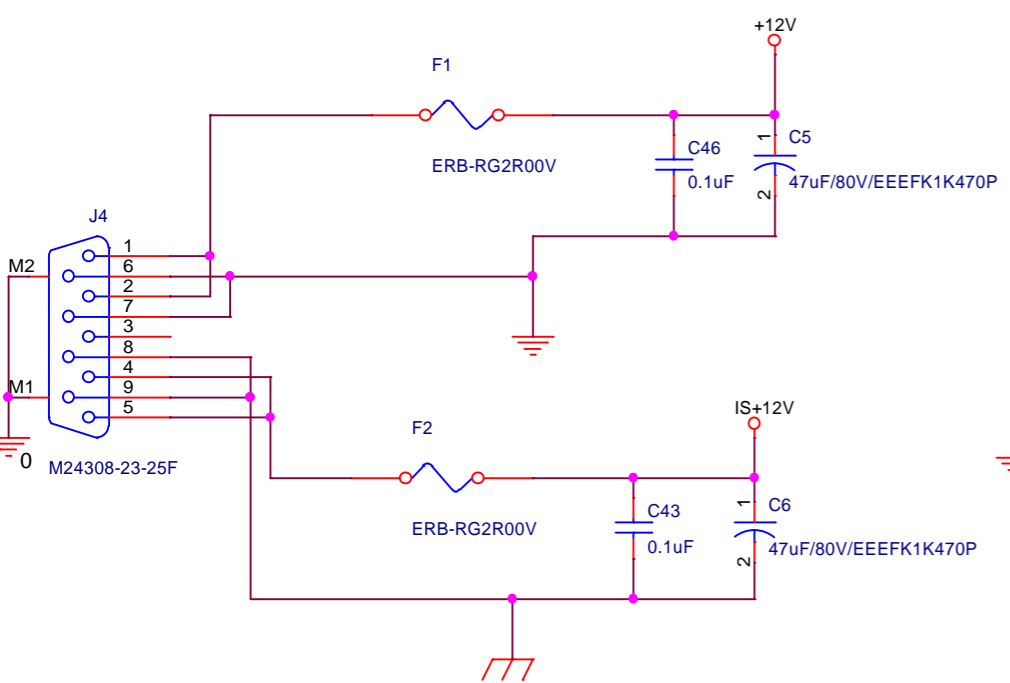
Title		
<Title>		
Size	Document Number	Rev
A3	<Doc>	<RevCode>
Date:	Tuesday, March 07, 2023	Sheet 1 of 5

GPIO 2

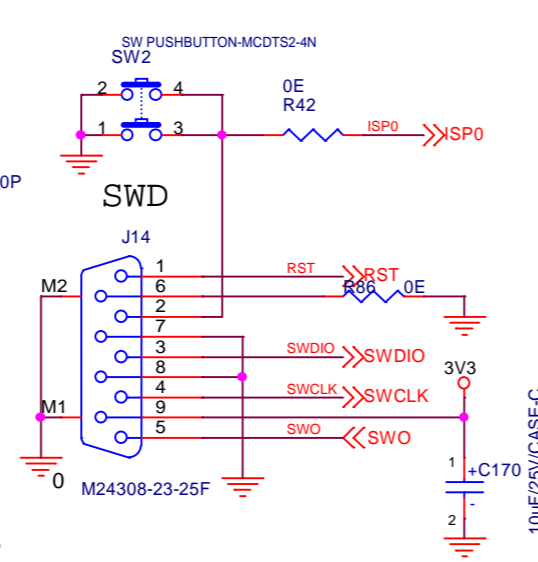


Title		
<Title>		
Size	Document Number	Rev
A3	<Doc>	<RevCode>
Date:	Tuesday, March 07, 2023	Sheet 1 of 1

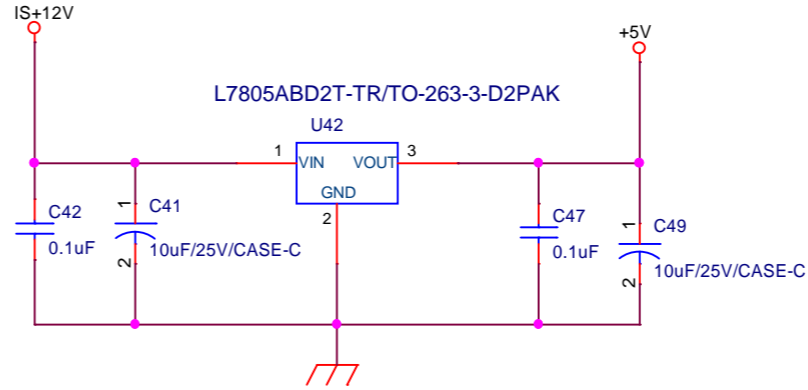
12V FROM EXTERNAL SOURCE



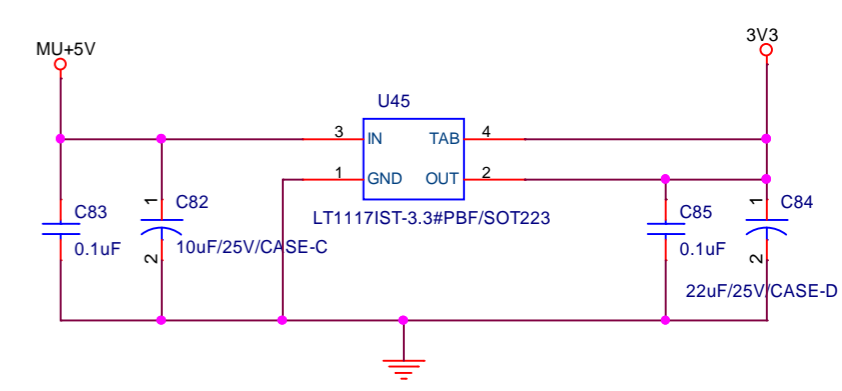
POWER



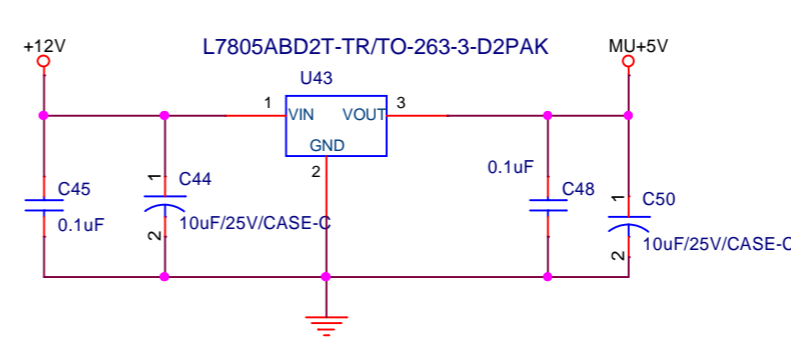
REGULATOR [12V-5V]



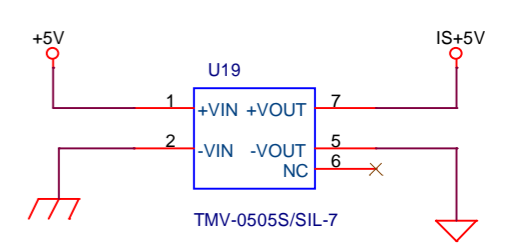
REGULATOR [5V-3.3V]



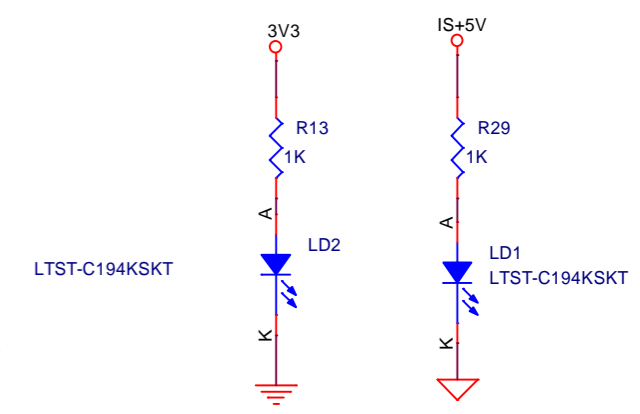
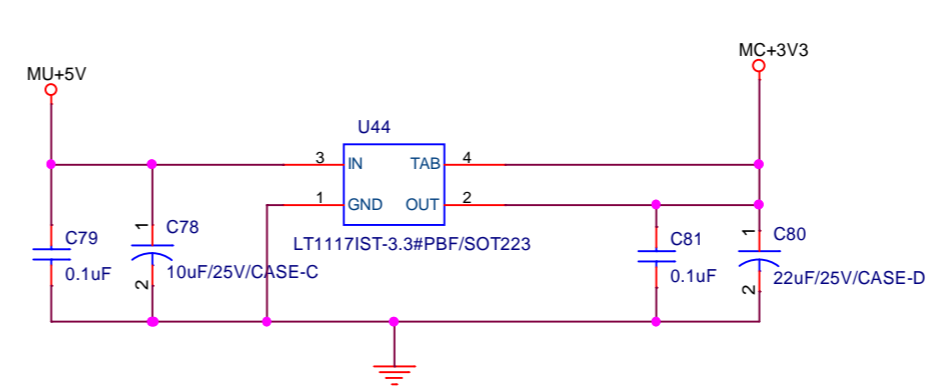
REGULATOR [12V-5V[ISOLATED]]



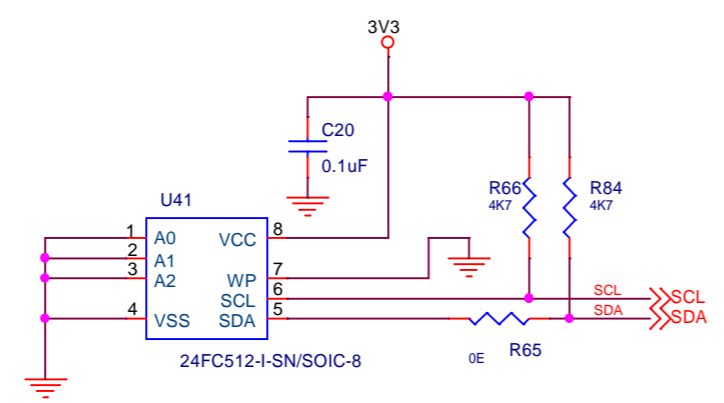
DC-DC CONVERTER [5V-5V ISOLATED]



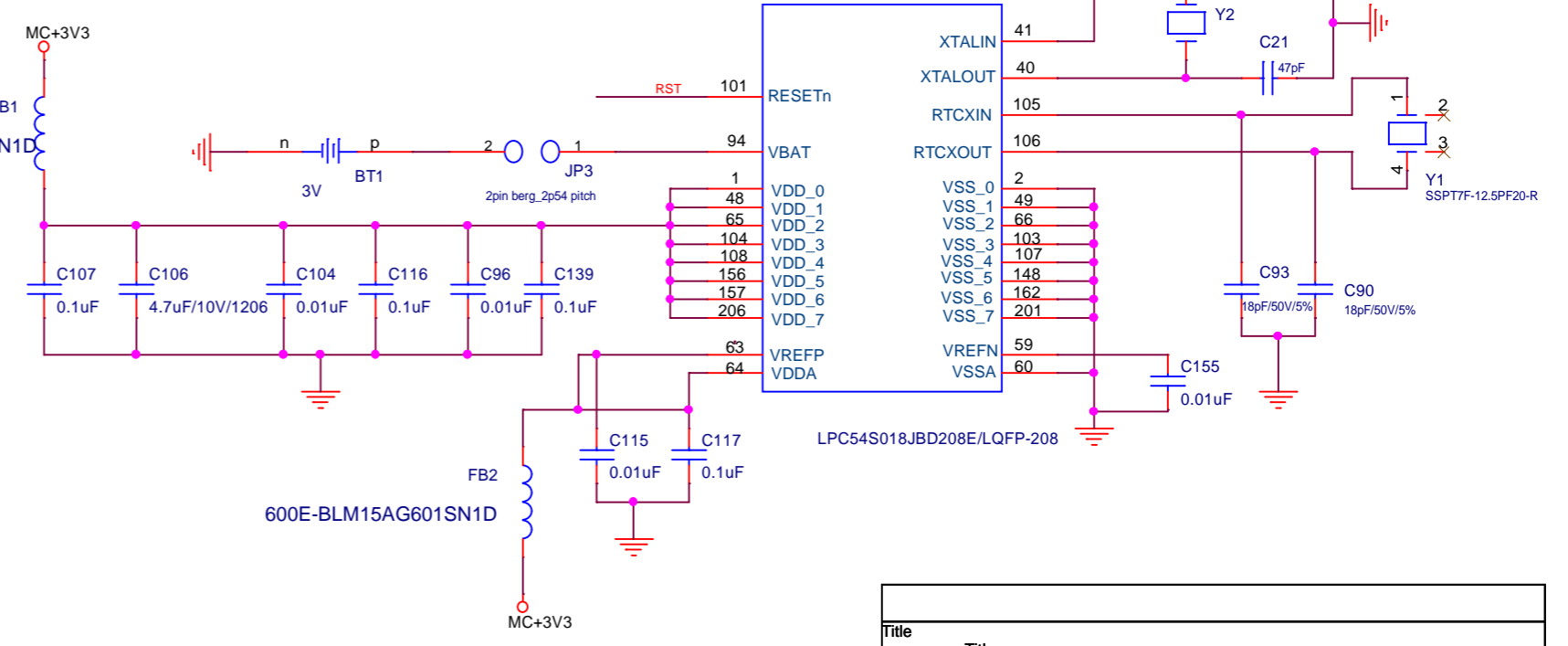
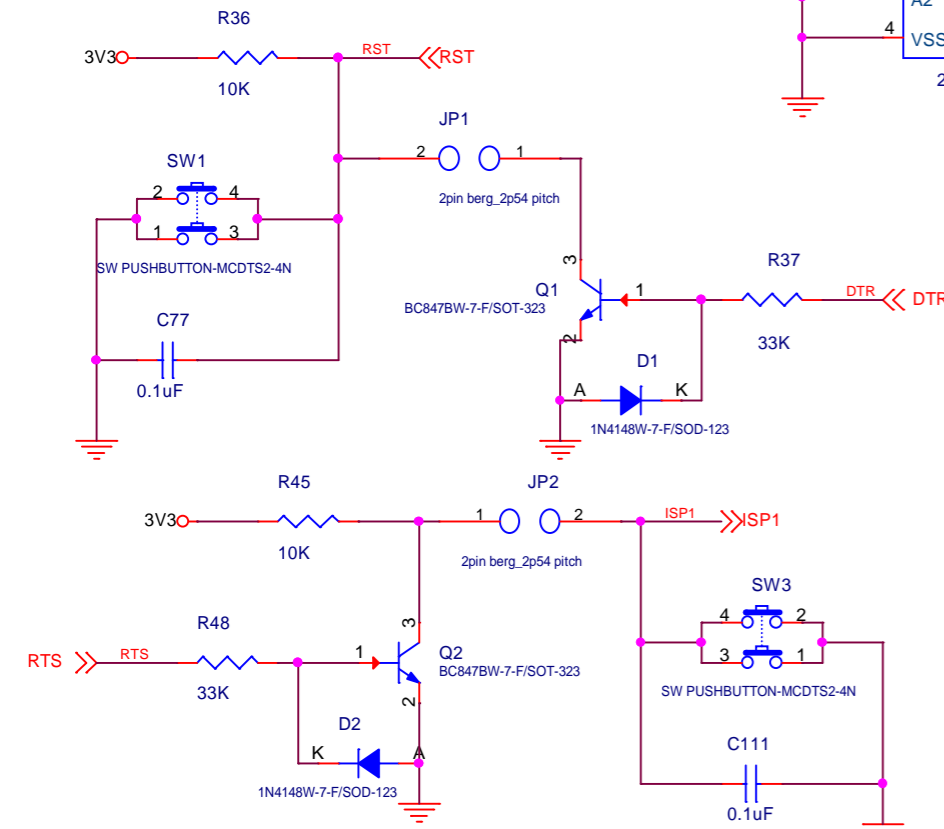
REGULATOR [5V-MC_3.3V]



SERIAL EEPROM INTERFACE

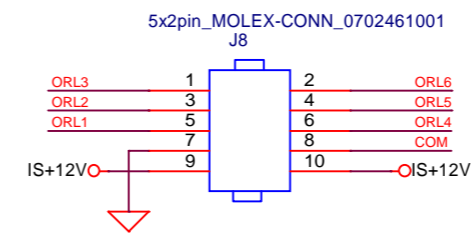
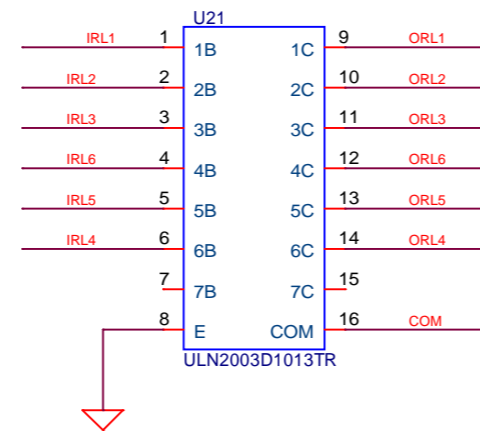
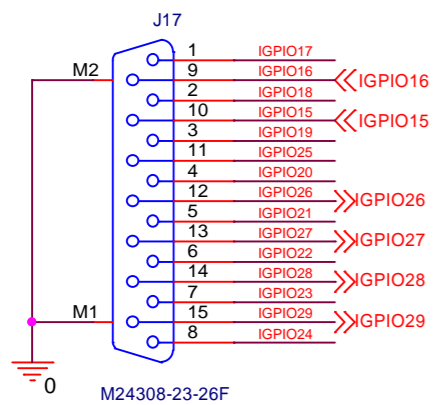
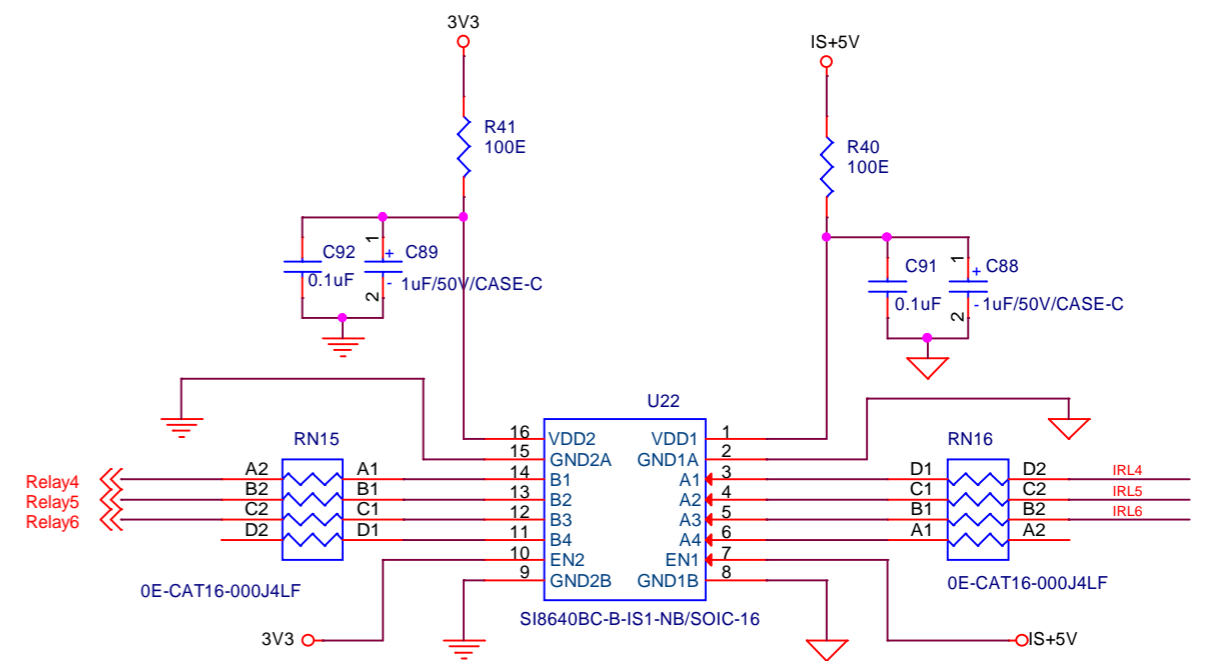
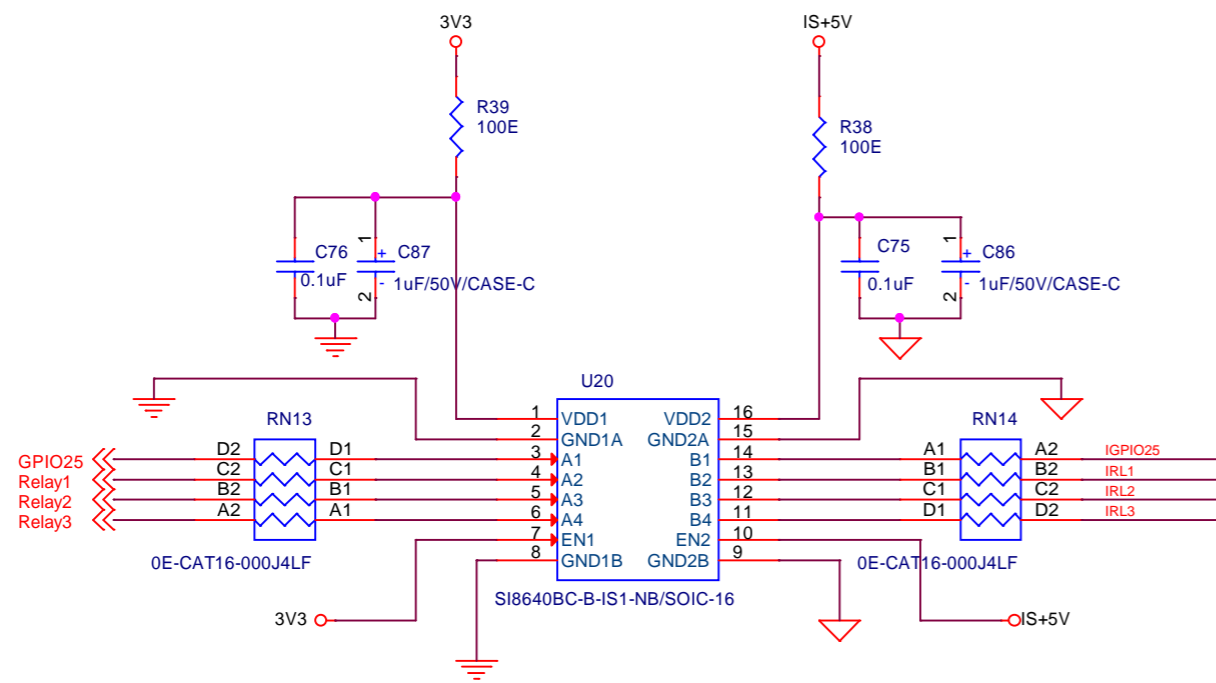
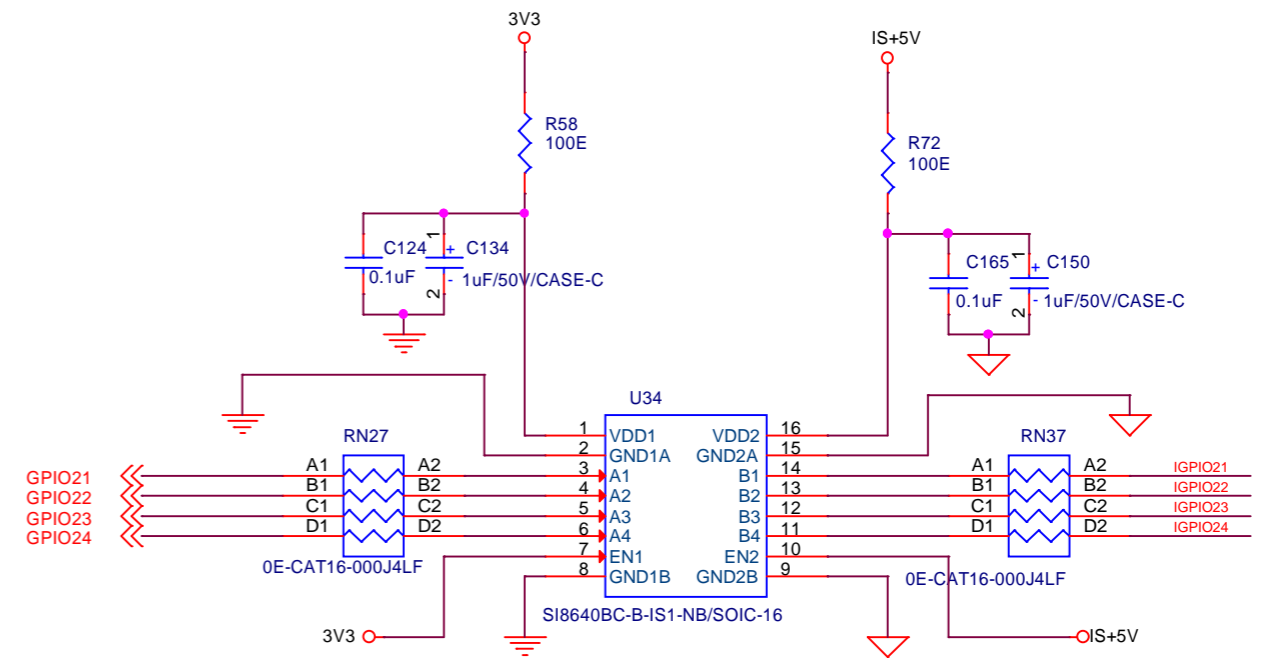
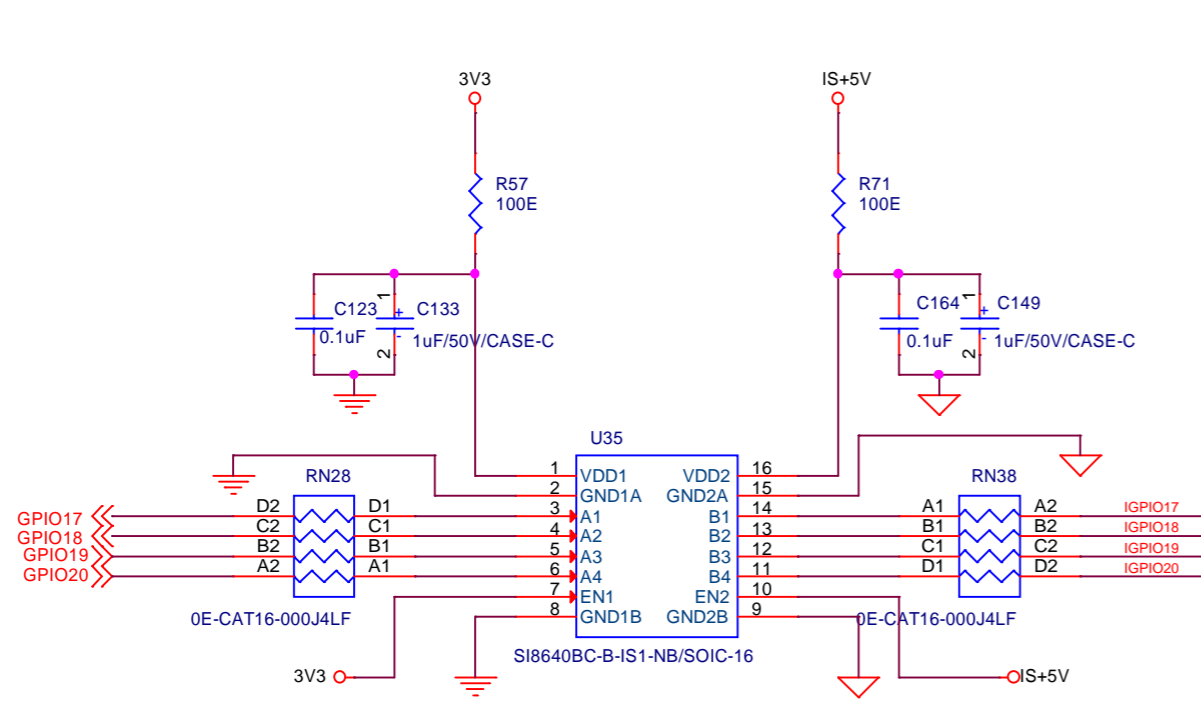


RESET

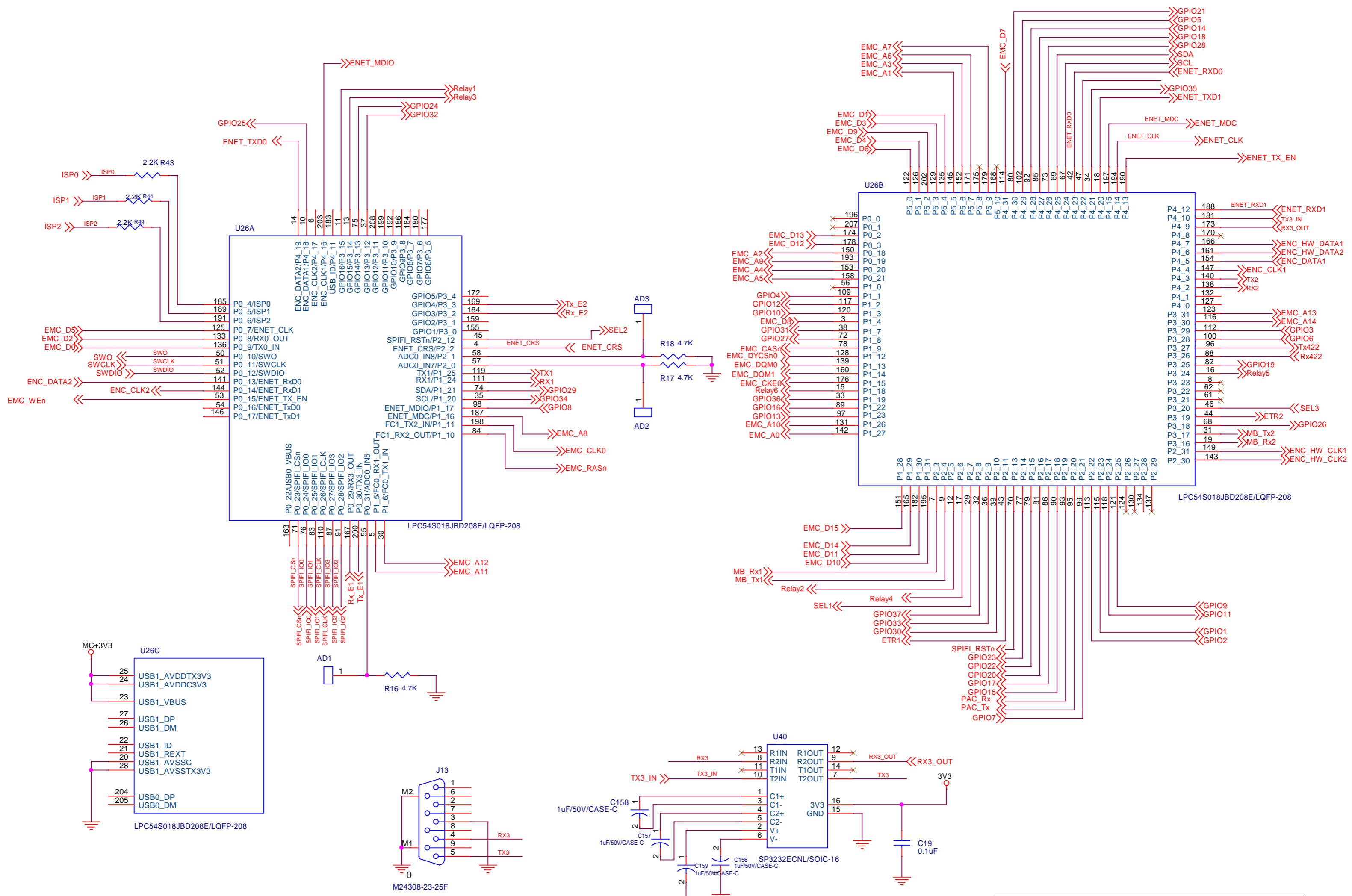


Title		
<Title>		
Size	Document Number	Rev
A3	<Doc>	<RevCode>
Date:	Tuesday, March 07, 2023	Sheet 1 of 6

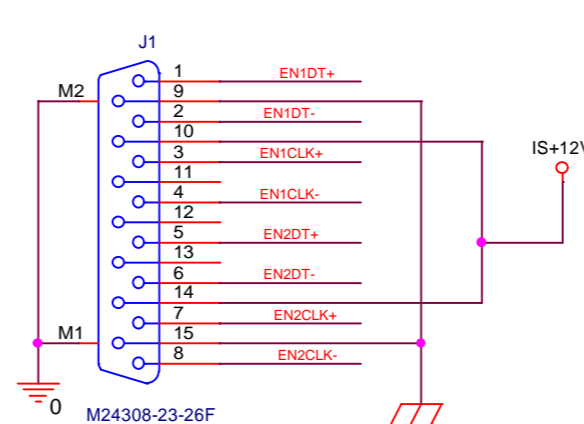
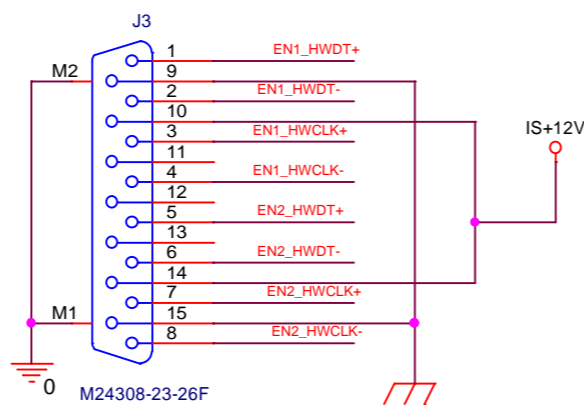
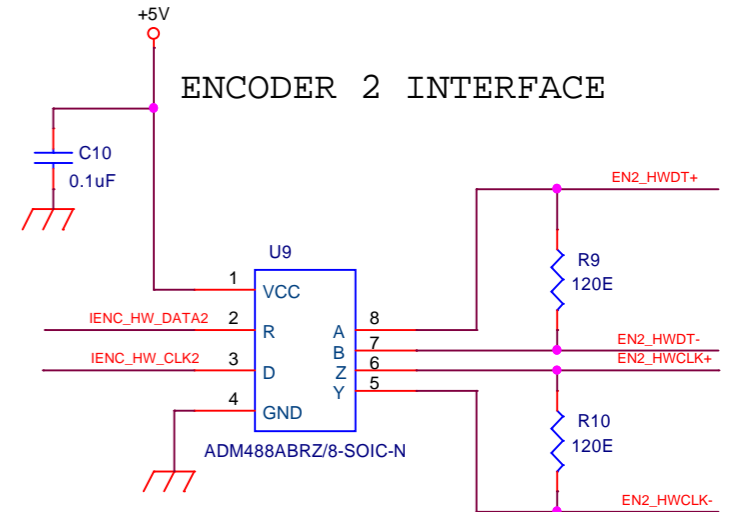
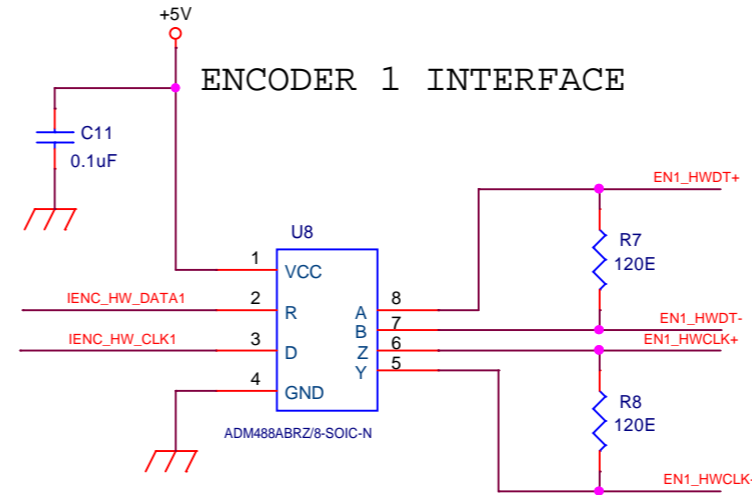
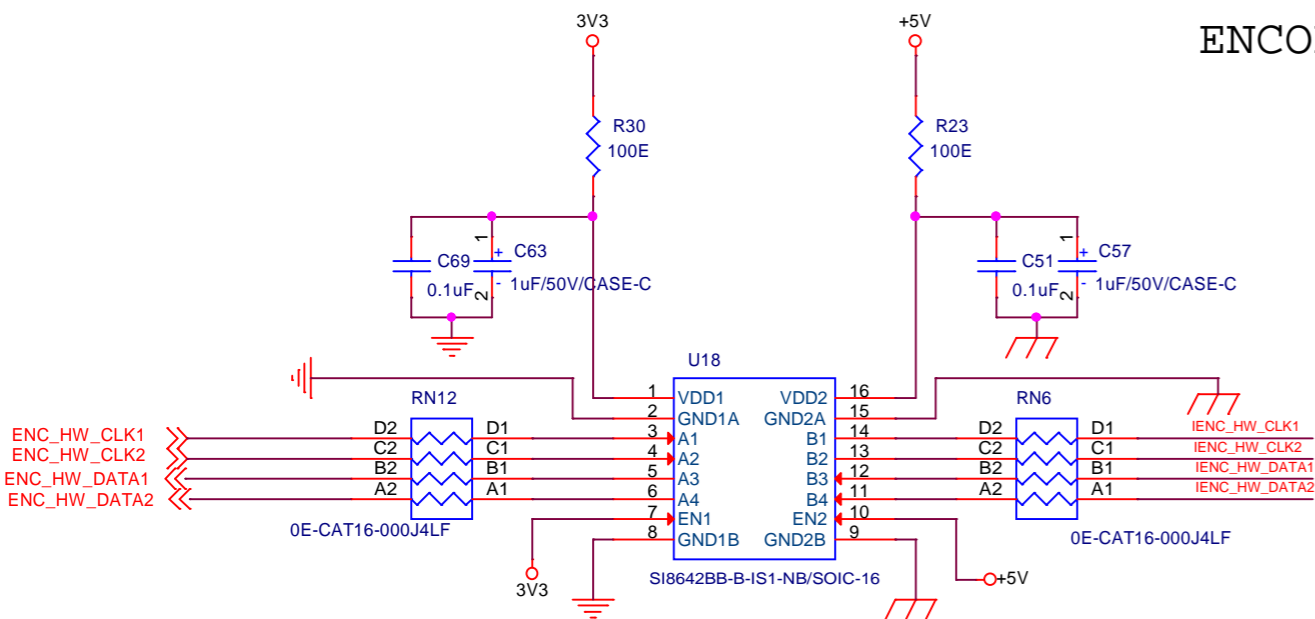
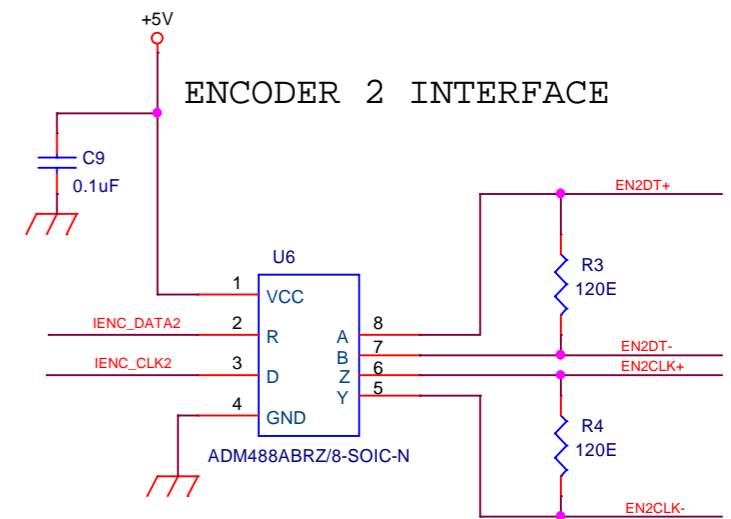
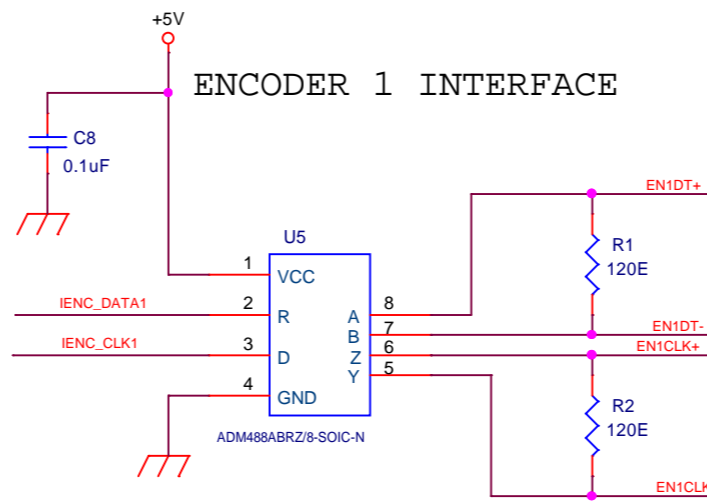
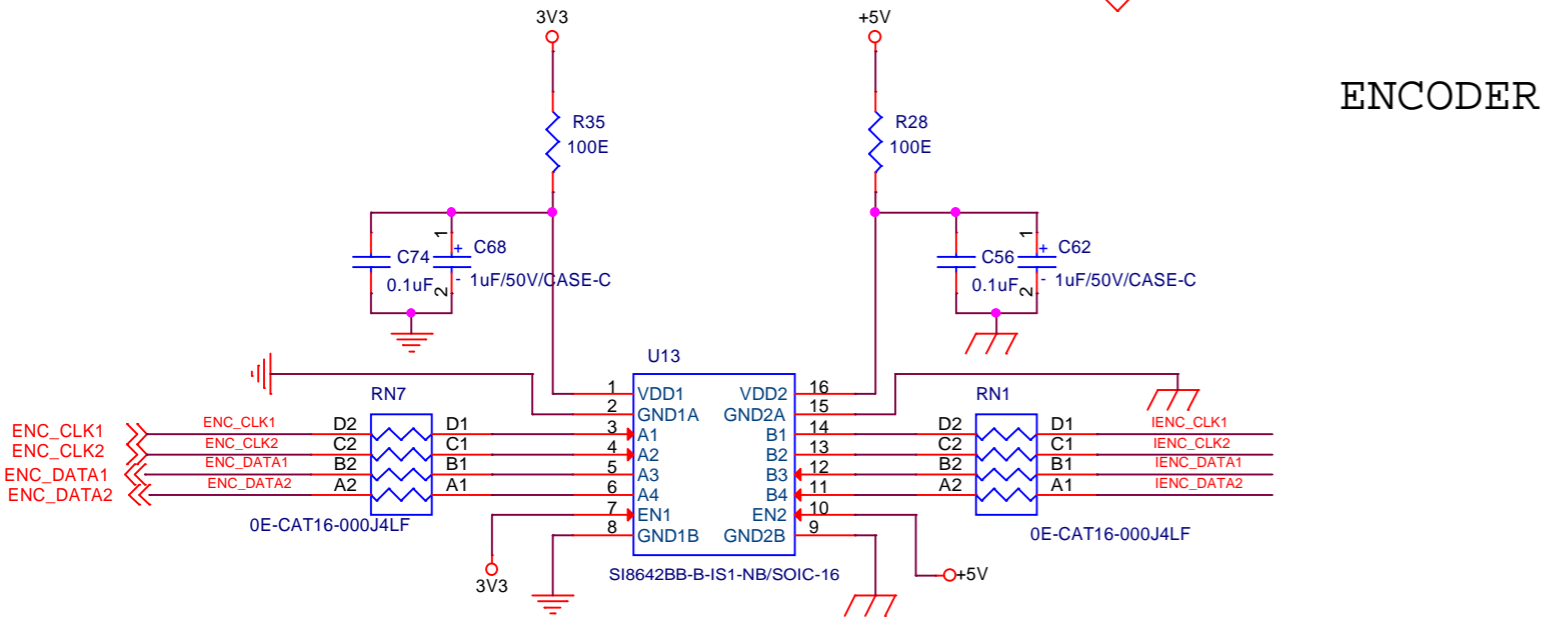
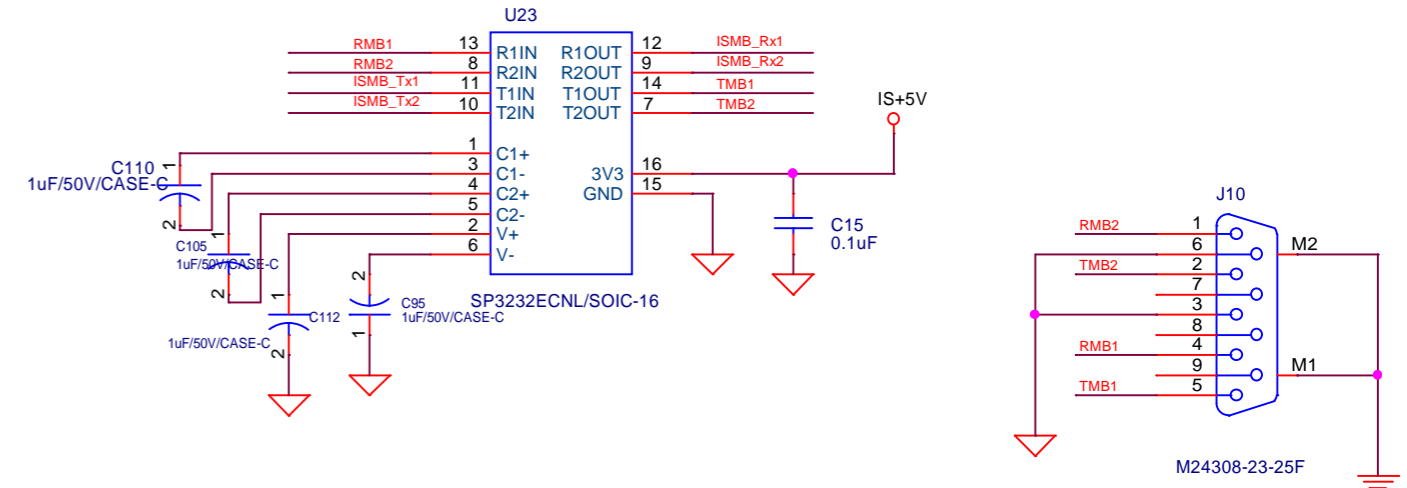
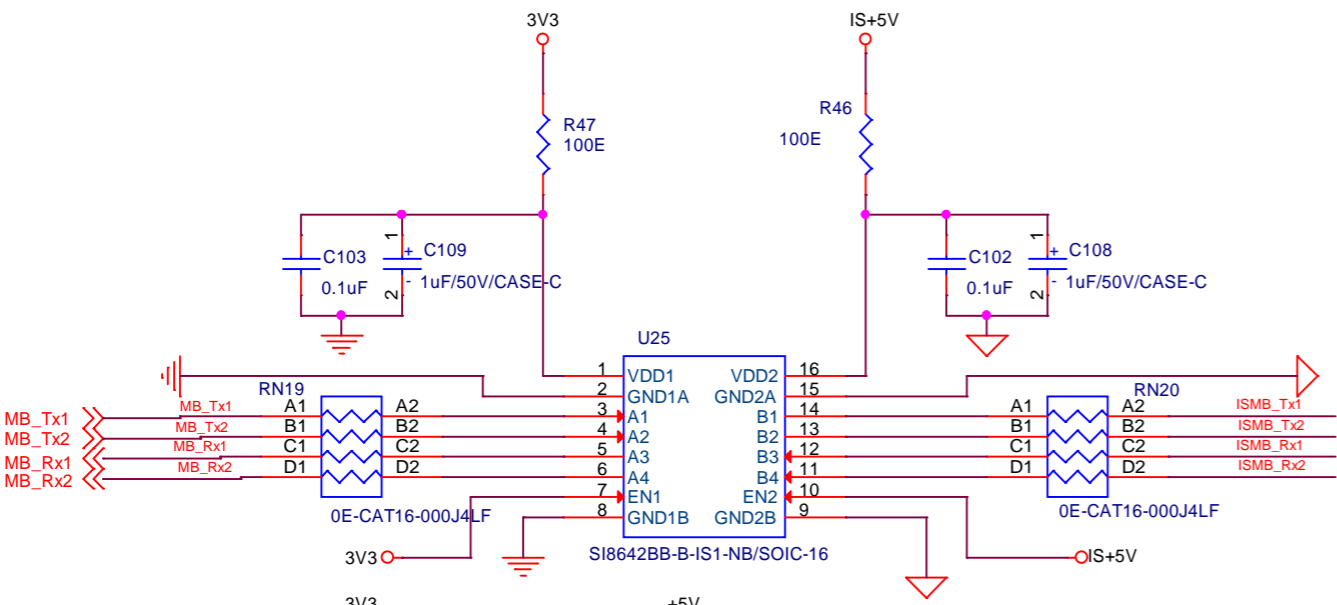
GPIO 1



Title		
<Title>		
Size	Document Number	Rev
A3	<Doc>	<RevCode>
Date:	Tuesday, March 07, 2023	Sheet 2 of 5



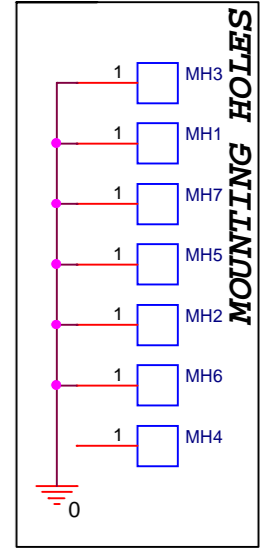
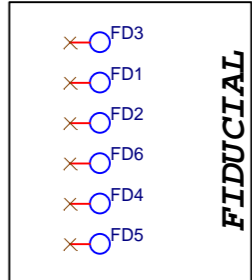
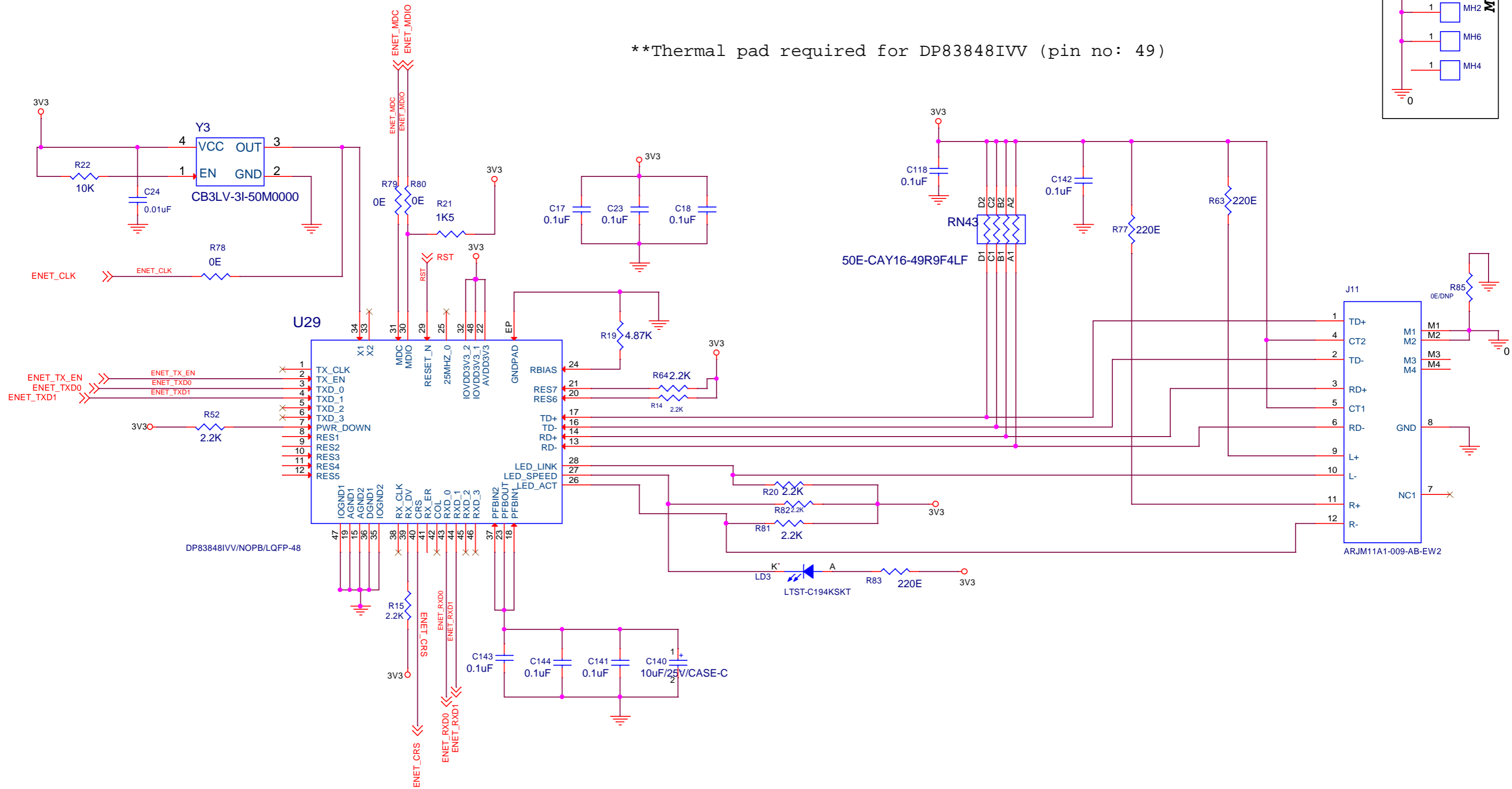
Title		
<Title>		
Size	Document Number	Rev
A3	<Doc>	<RevCode>
Date:	Tuesday, March 07, 2023	Sheet 2 of 6



Title		
<Title>		
Size	Document Number	Rev
A3	<Doc>	<RevCode>
Date:	Tuesday, March 07, 2023	Sheet 3 of 5

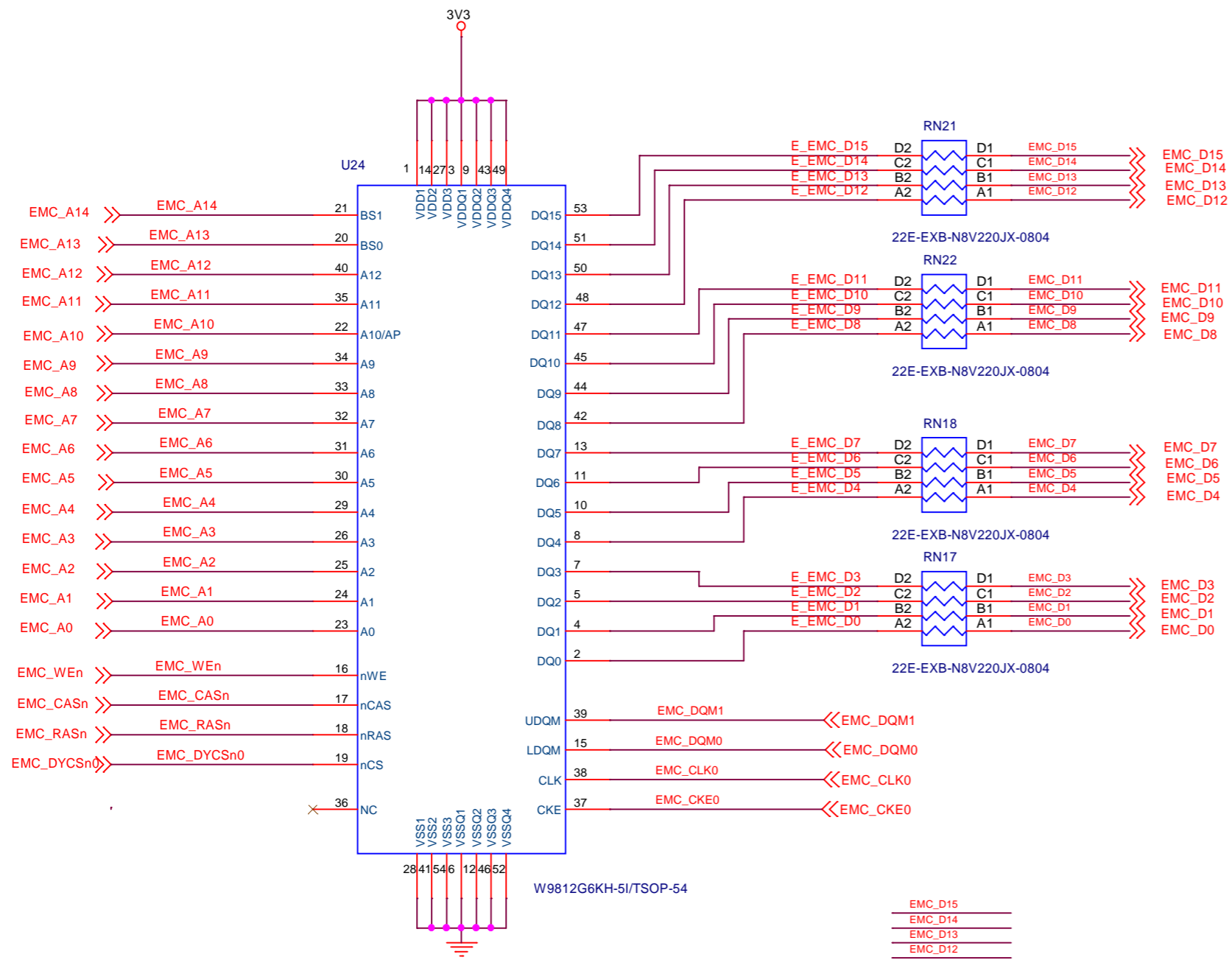
ETHERNET

**Thermal pad required for DP83848IUV (pin no: 49)



Title		
<Title>		
Size	Document Number	Rev
A3	<Doc>	<RevCode>
Date:	Friday, March 10, 2023	Sheet 4 of 6

EMC SDRAM

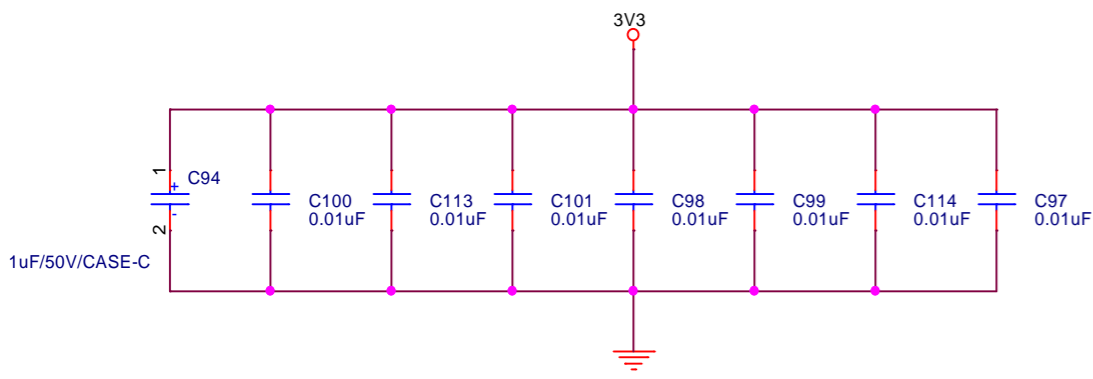


- EMC_D15
- EMC_D14
- EMC_D13
- EMC_D12

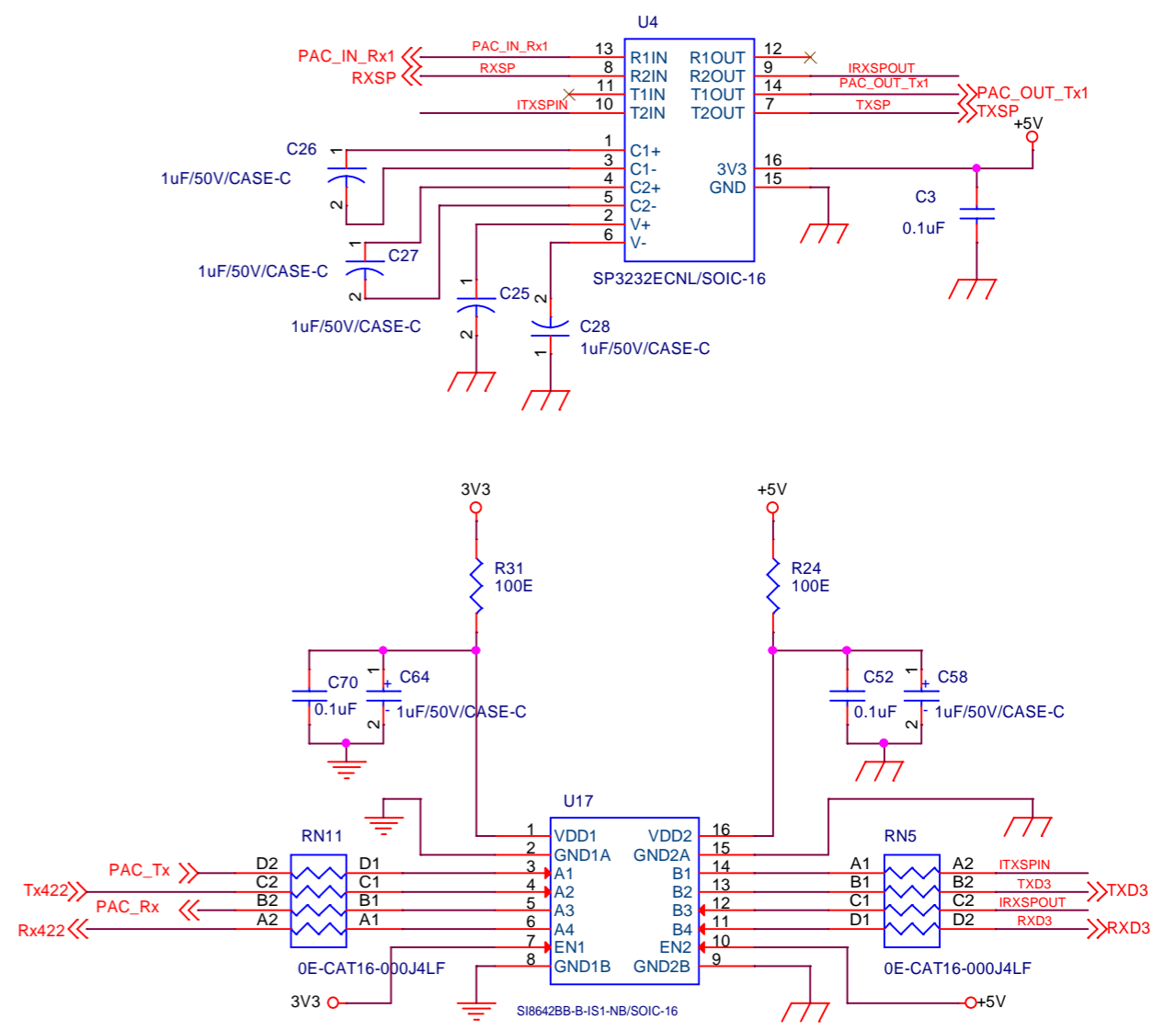
- EMC_D11
- EMC_D10
- EMC_D9
- EMC_D8

- EMC_D7
- EMC_D6
- EMC_D5
- EMC_D4

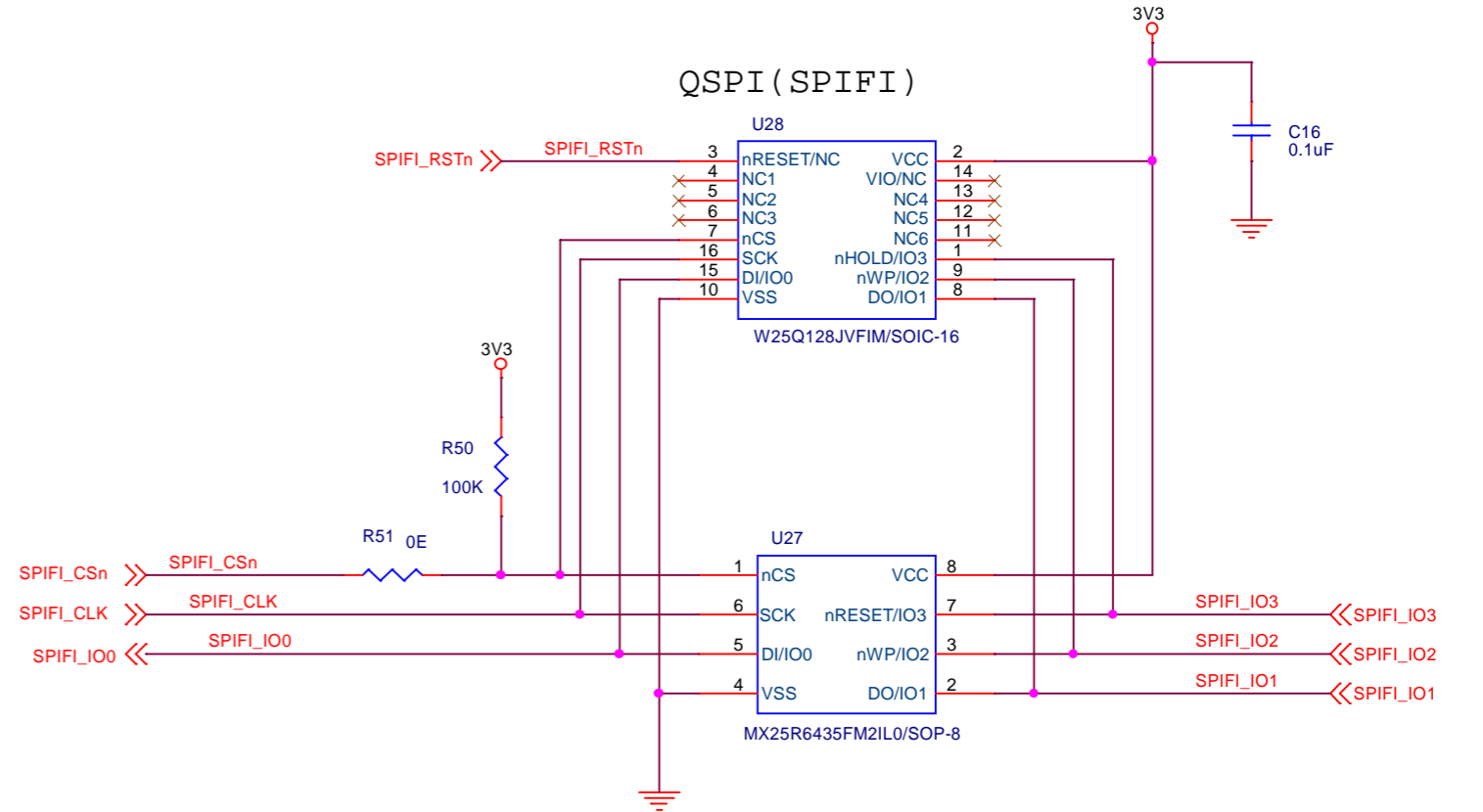
- EMC_D3
- EMC_D2
- EMC_D1
- E EMC_D0



PAC

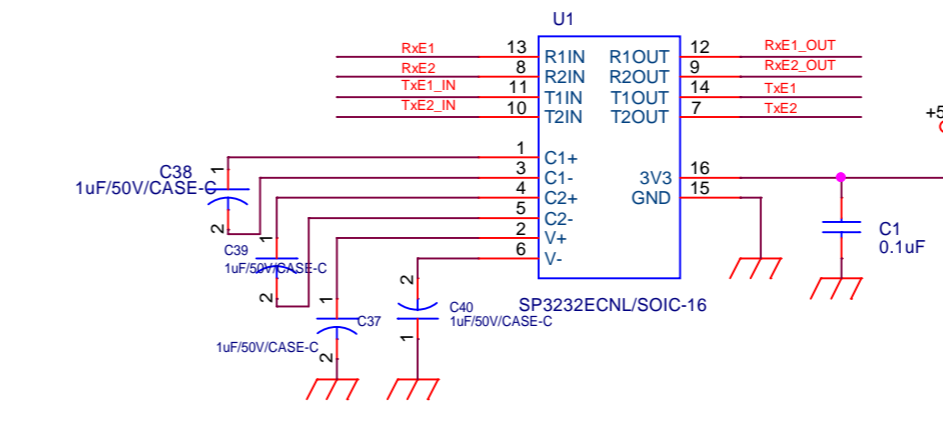
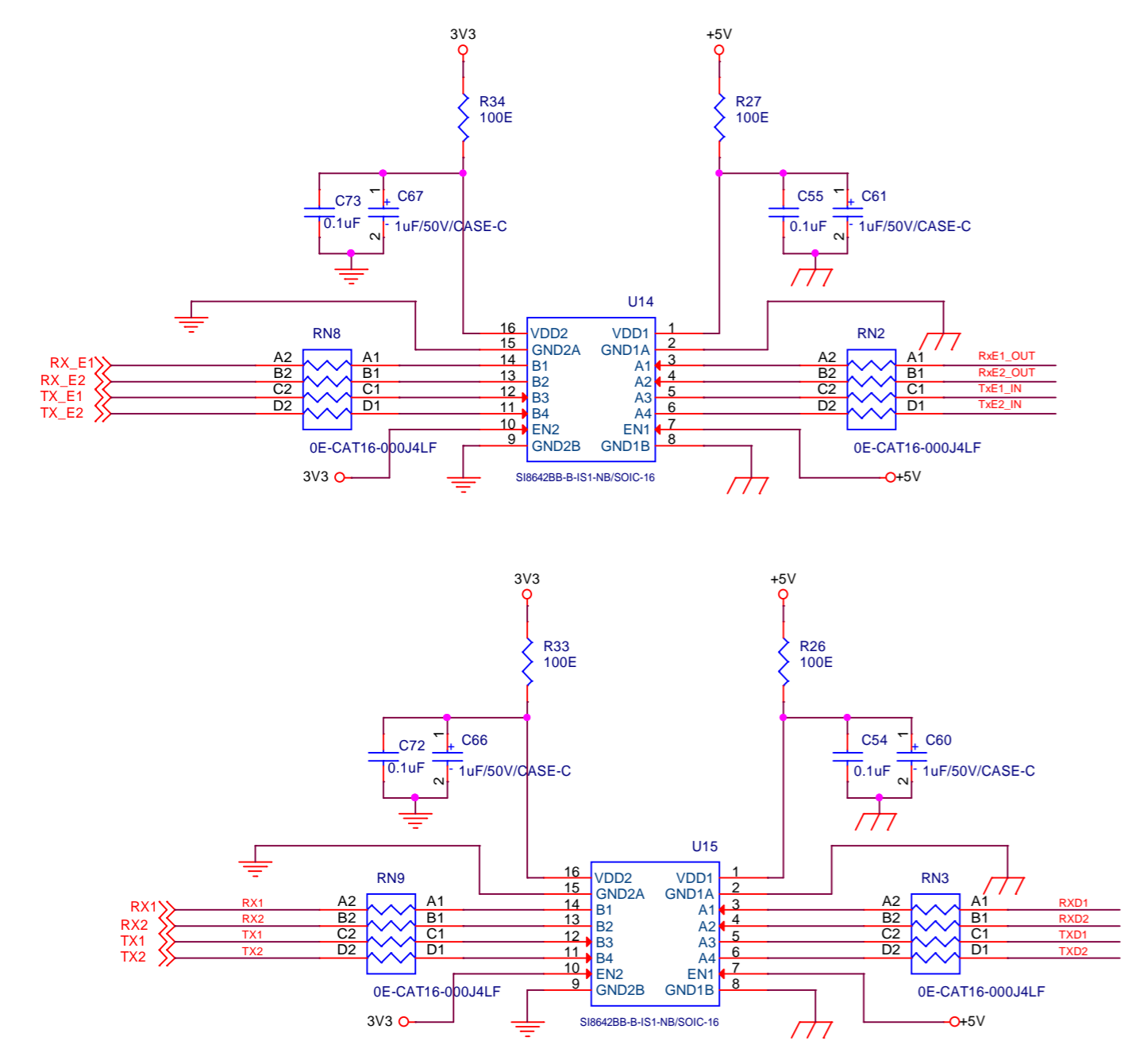
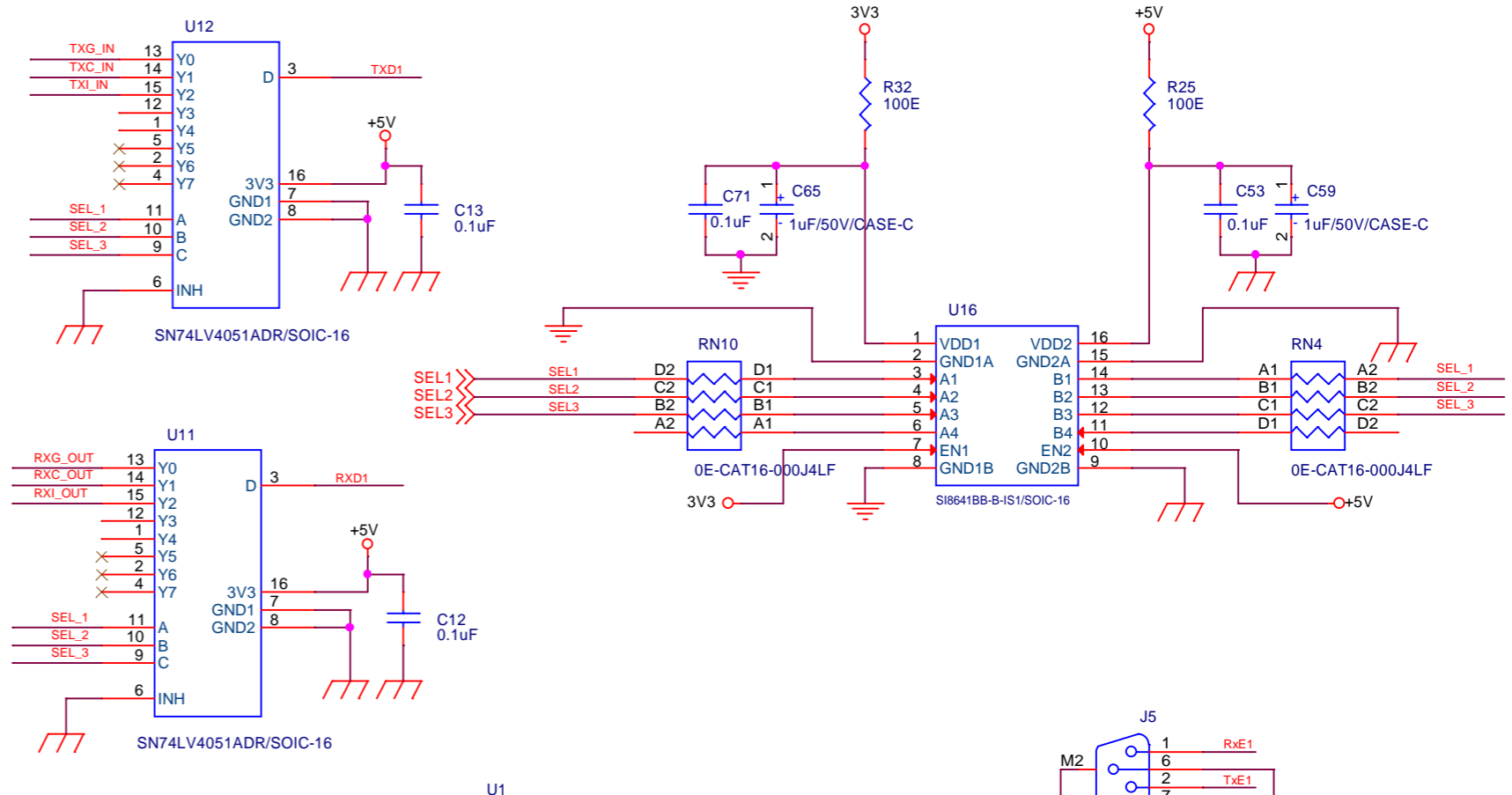
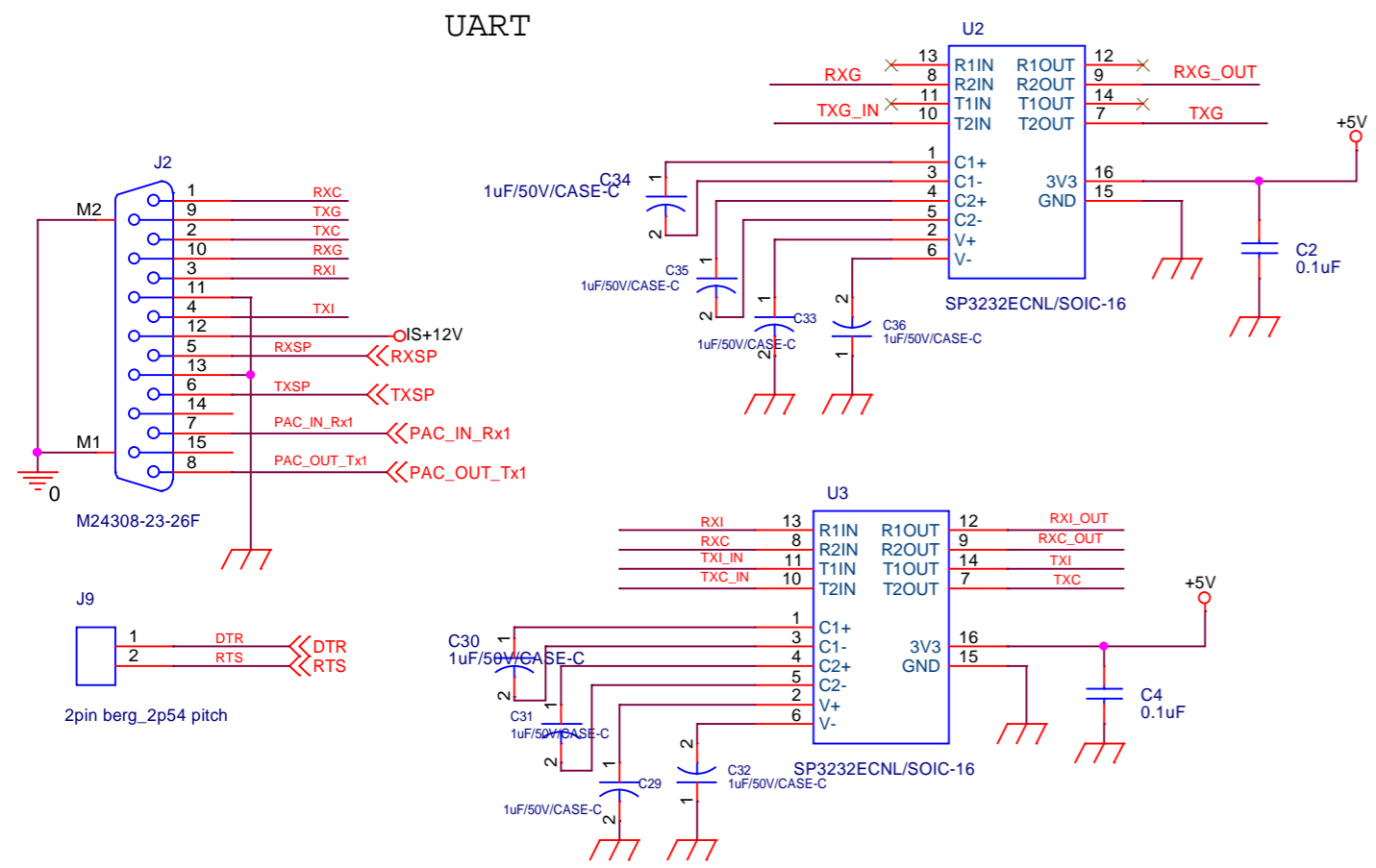


QSPI (SPIFI)

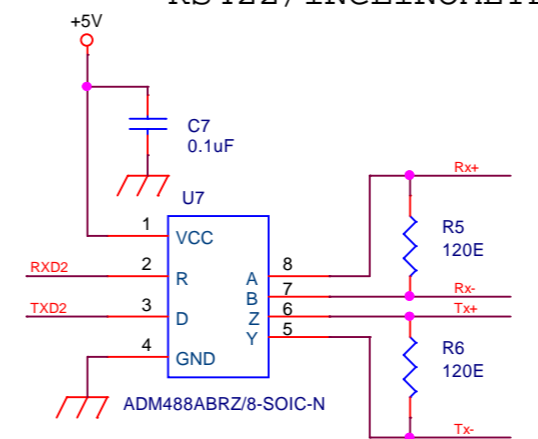


Title			<Title>
Size	Document Number	Rev	
A3	<Doc>	<RevCode>	
Date:	Tuesday, March 07, 2023	Sheet	4 of 5

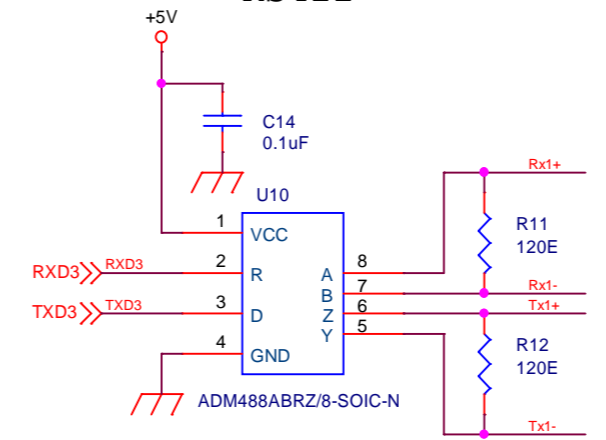
UART



RS422 / INCLINOMETER



RS422



Title	<Title>		
Size	A3	Document Number	<Doc>
Date:	Tuesday, March 07, 2023	Sheet	5 of 5
Rev	<RevCode>		