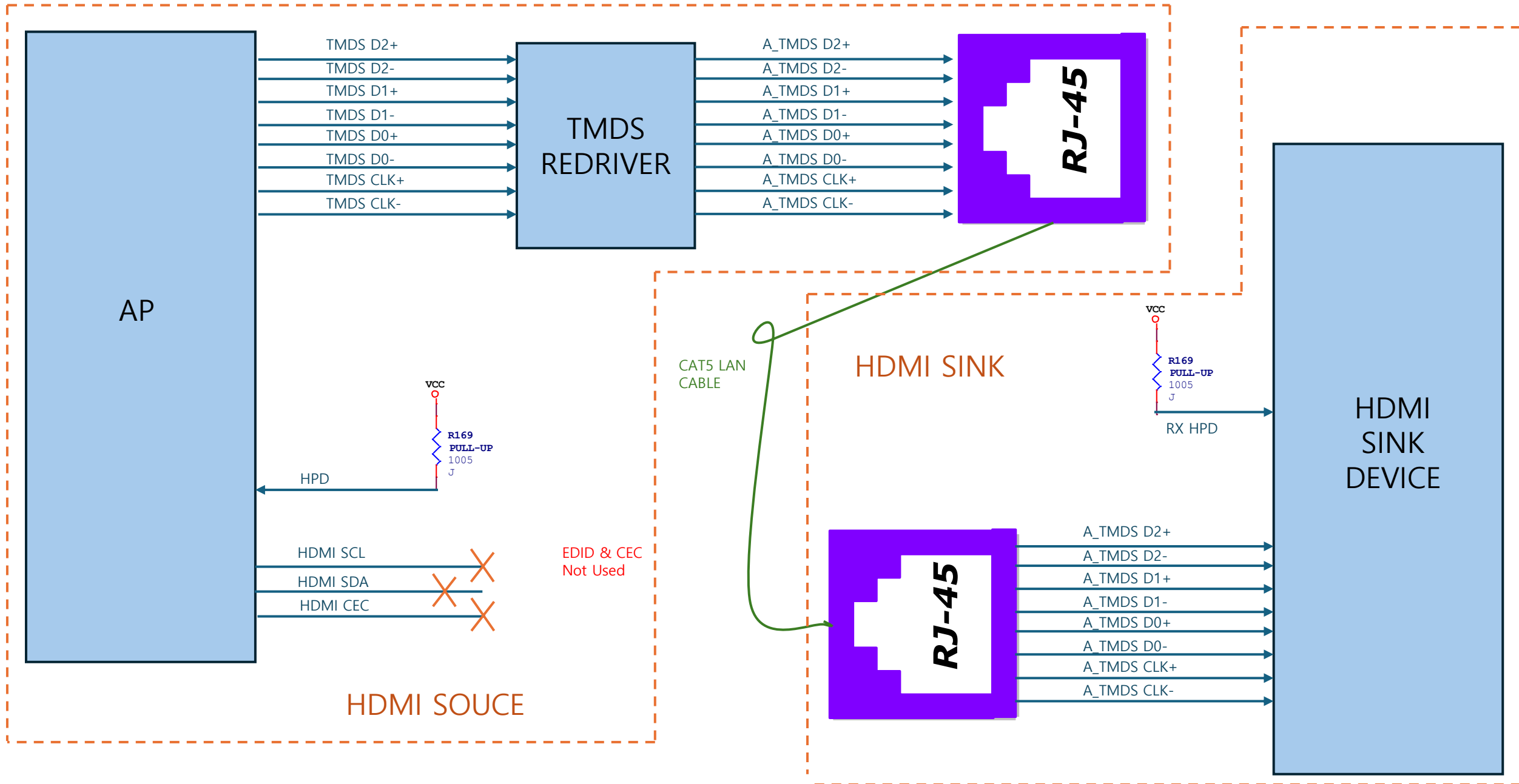


# Method 1



# Method 2

