

Title		
Size A4	Number	Revision
Date: 2017-10-12	Sheet of	
File: D:\Altium\...\Video Signal Interface.SchDoc	Drawn By:	

1

2

3

4

A

A

B

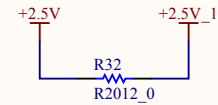
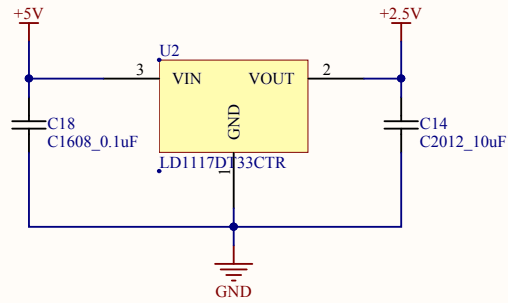
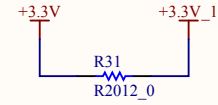
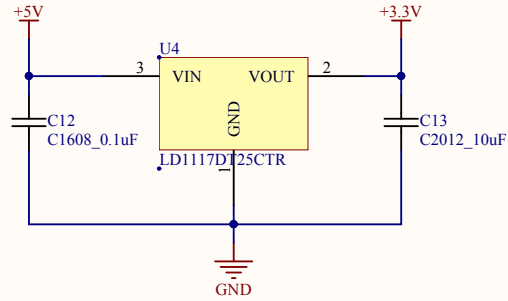
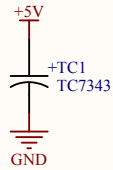
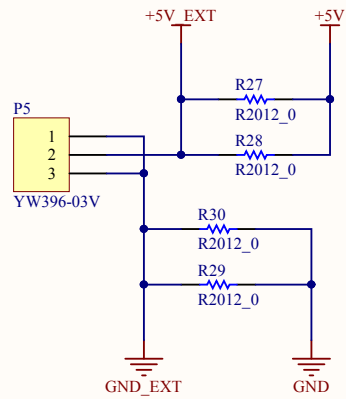
B

C

C

D

D



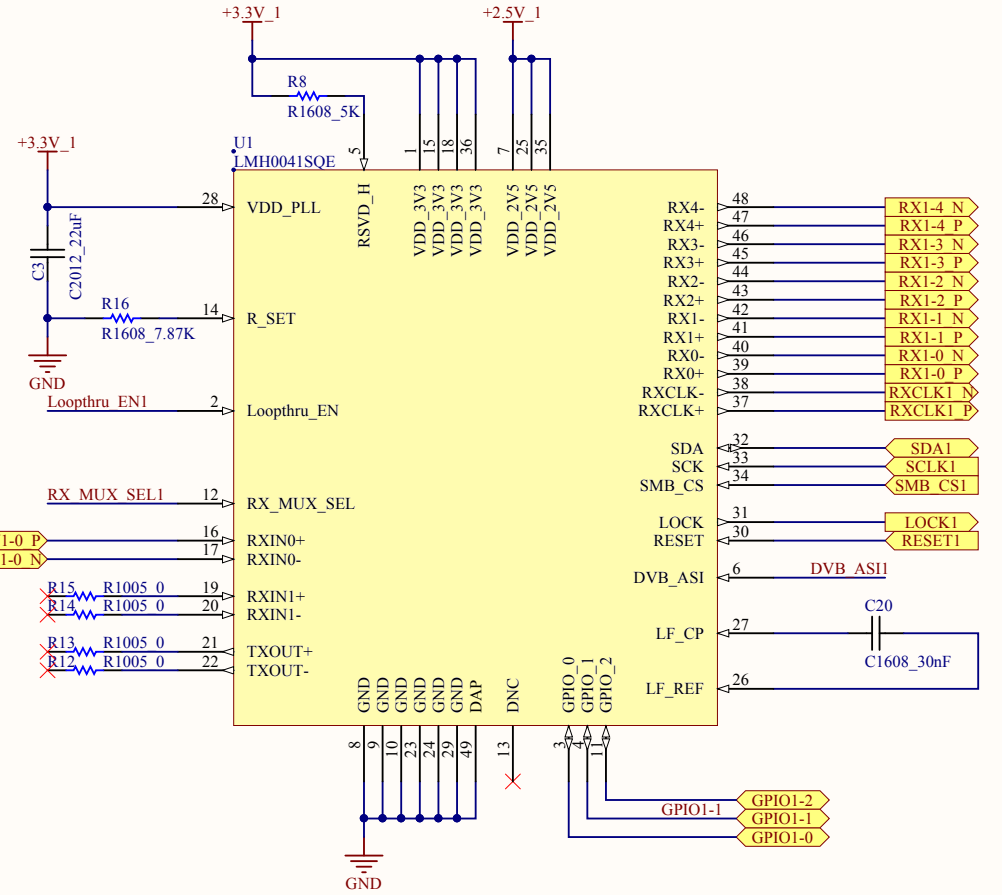
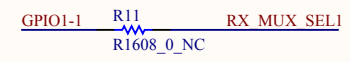
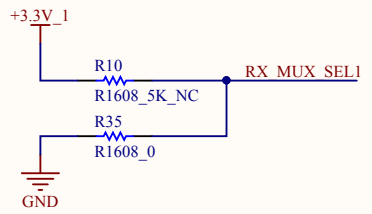
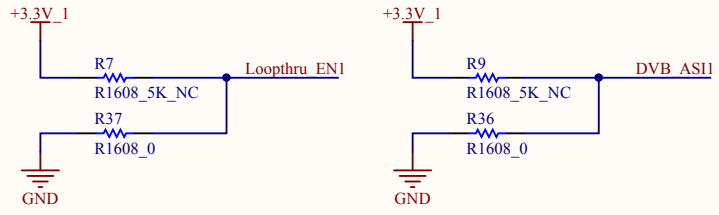
Title		
Size	Number	Revision
A4		
Date:	2017-10-12	Sheet of
File:	D:\Altium\...\Power.SchDoc	Drawn By:

1

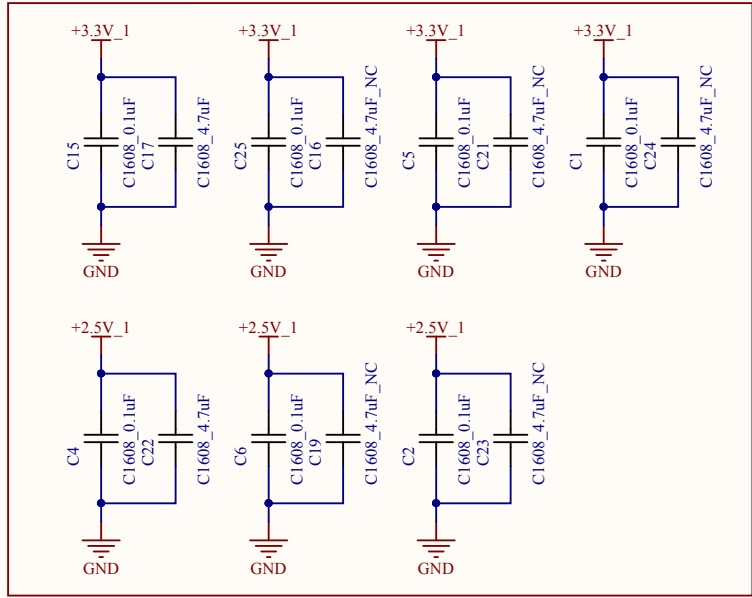
2

3

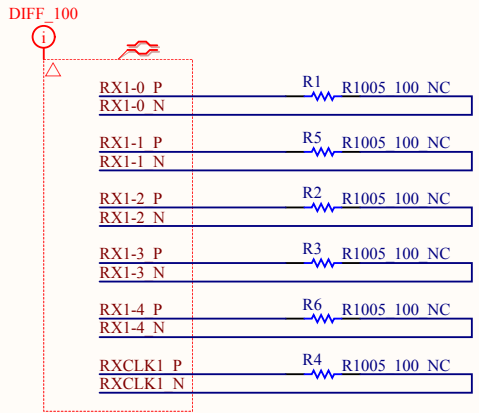
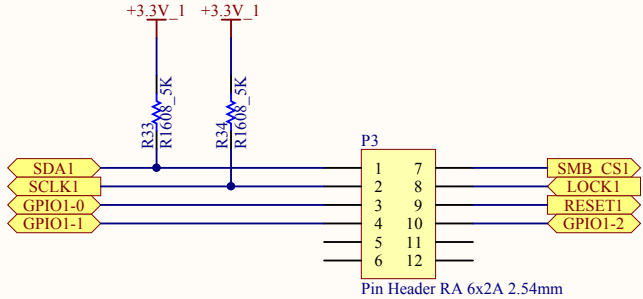
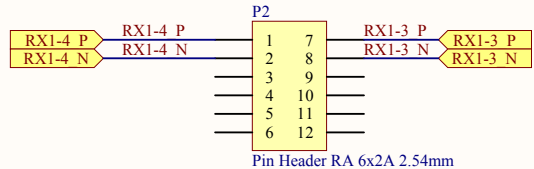
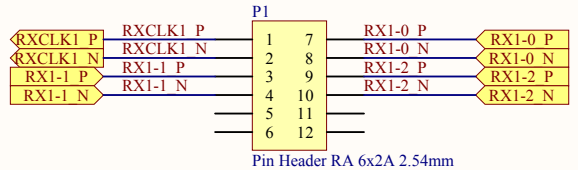
4



BYPASS



Title		
Size	Number	Revision
A4		
Date:	2017-10-12	Sheet of
File:	D:\Altium\...\HD-SDI Receiver 1.SchDoc	Drawn By:



Title		
Size	Number	Revision
A4		
Date:	2017-10-12	Sheet of
File:	D:\Altium\...\FPGA Interface.SchDoc	Drawn By: