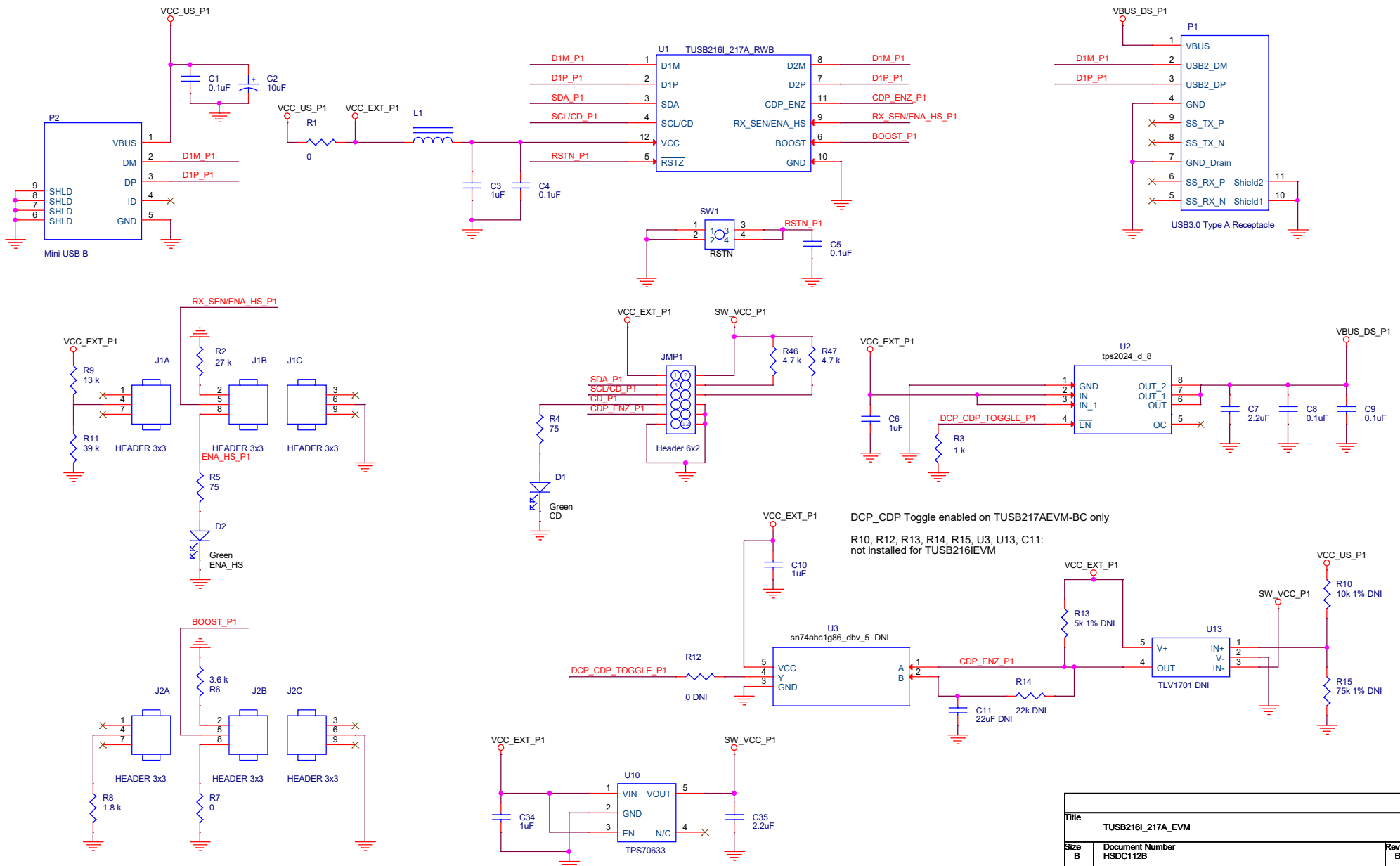
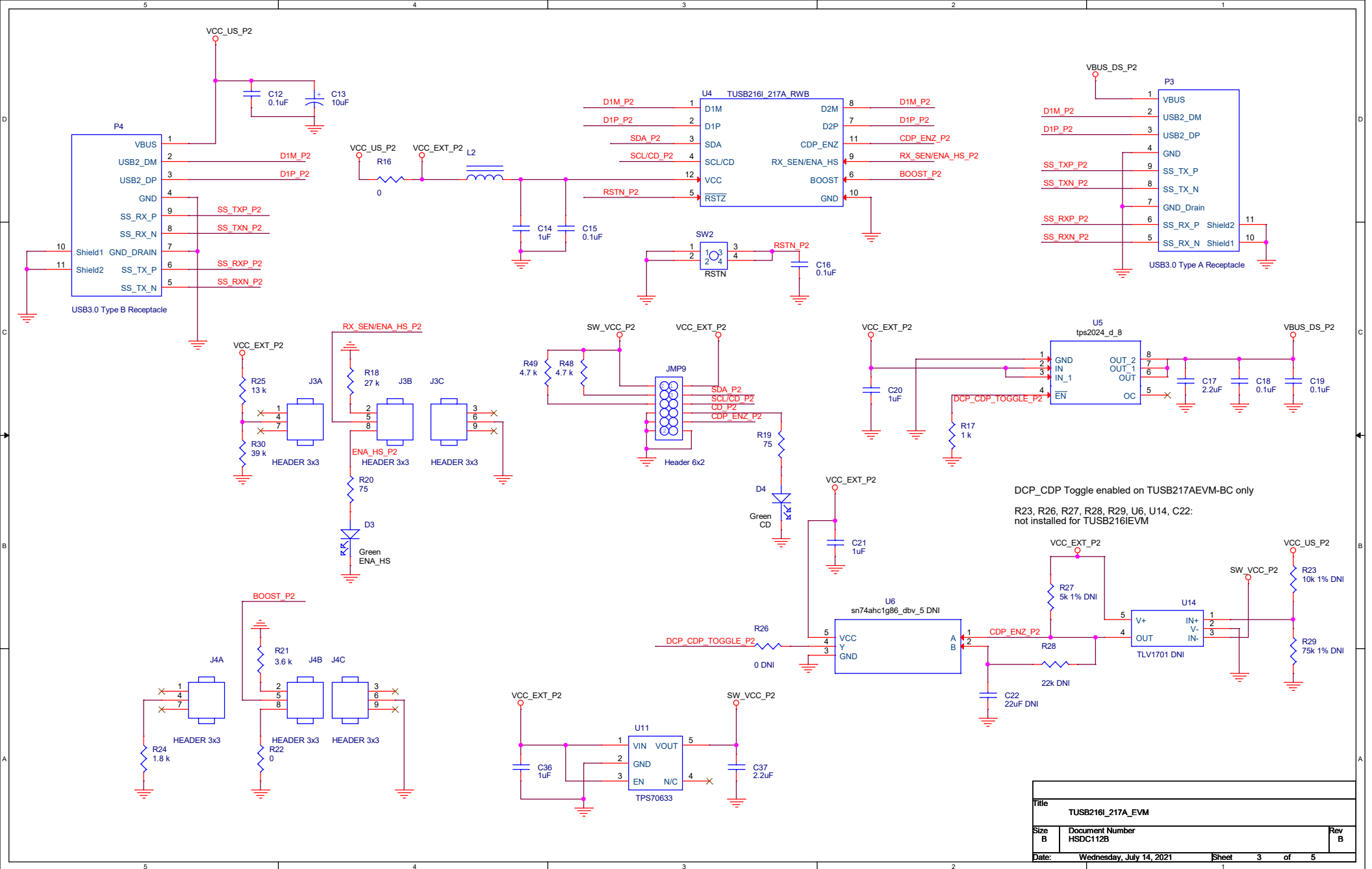


Title		
TUSB216I_217A_EVM		
Size	Document Number	Rev
B	HSDC112B	B
Date:	Wednesday, July 14, 2021	Sheet 1 of 5



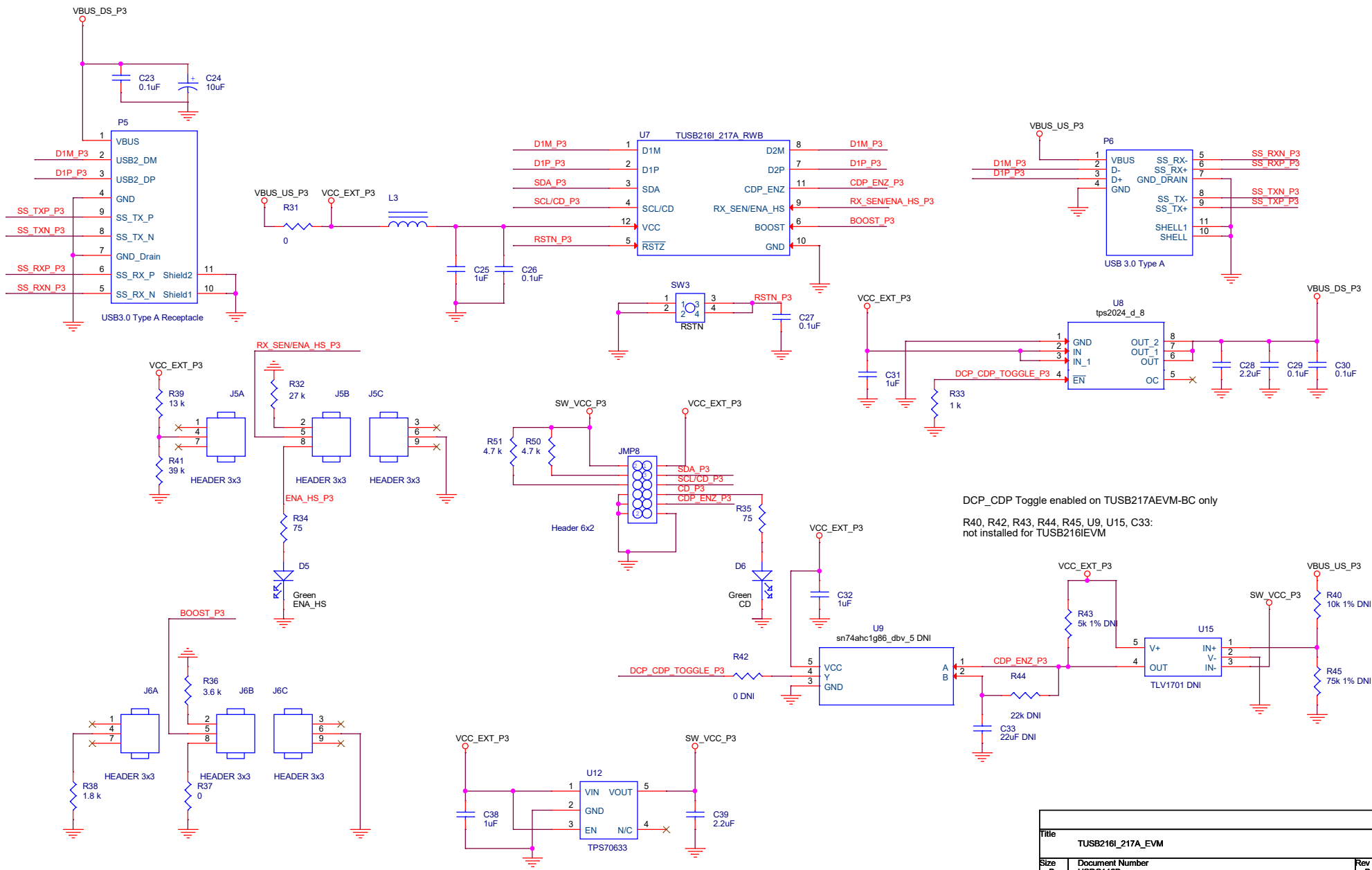
Title		
TUSB216I_217A_EVM		
Size	Document Number	Rev
B	HSDC112B	B
Date:	Wednesday, July 14, 2021	Sheet 2 of 5



DCP\_CDP Toggle enabled on TUSB217AEVM-BC only

R23, R26, R27, R28, R29, U6, U14, C22:  
not installed for TUSB216IEVM

Title		
TUSB216I_217A_EVM		
Size	Document Number	Rev
B	HSDC112B	B
Date:	Wednesday, July 14, 2021	Sheet 3 of 5



Title		TUSB216I_217A_EVM	
Size	B	Document Number	HSDC112B
Date:	Wednesday, July 14, 2021	Sheet	4 of 5

PCB1

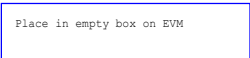


PCB LOGO  
Texas Instruments

HSDC112A

PCB LOGO  
ESD1

LBL1



PCB LOGO  
FCC Disclaimer

THT-14-423-10

Fiducial1 Fiducial2 Fiducial3



PCB LOGO  
CE LOGO

Fiducial4 Fiducial5 Fiducial6



PCB LOGO  
WEEE LOGO

Install label in silkscreened box after final wash. Text shall 8 pt font. Text shall be per the label table in the PDF Schematic

Variant / Label Table	
Variant	Label Text
001	TUSB2161EVM
002	TUSB217AEVM-BC

SHNT1



SHNT2



SHNT3



SHNT4



SHNT5



SHNT6



Title		
TUSB2161_217A_EVM		
Size	Document Number	Rev
B	HSDC112B	B
Date:	Wednesday, July 14, 2021	Sheet 5 of 5