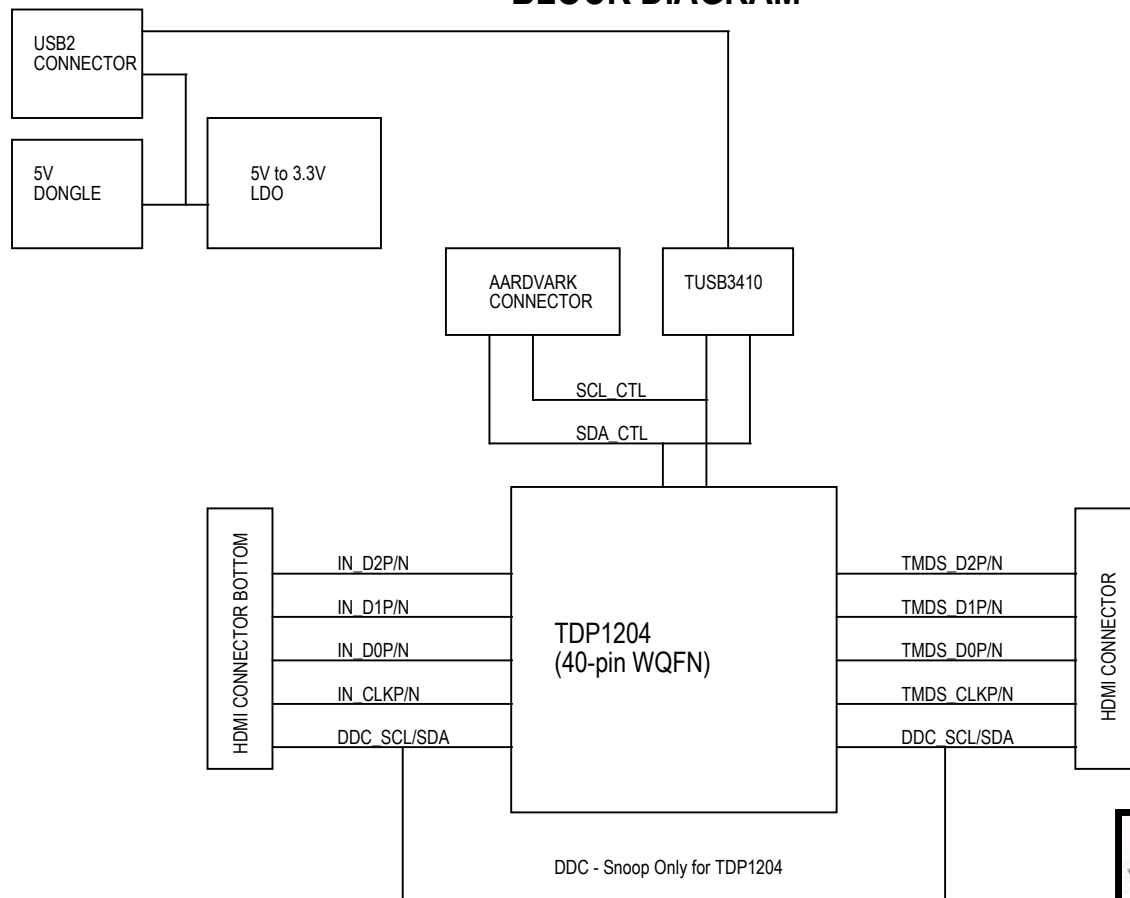



**NOTES:**

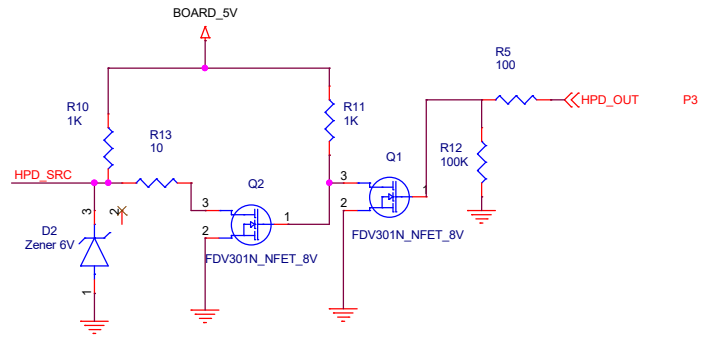
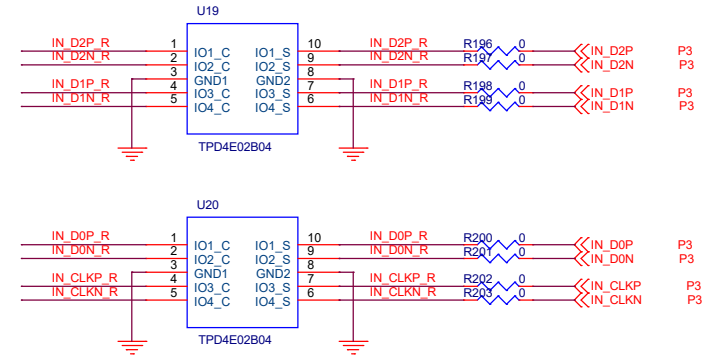
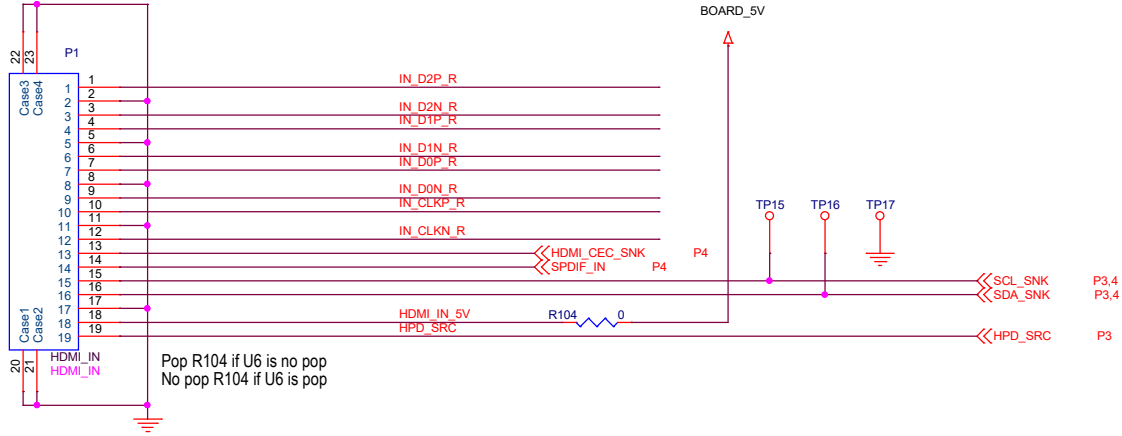
- 100-ohm differential impedance for HDMI differential pairs.

**BLOCK DIAGRAM**

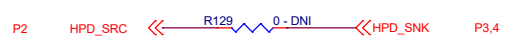
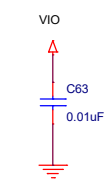
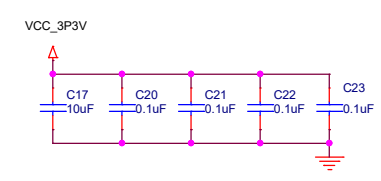
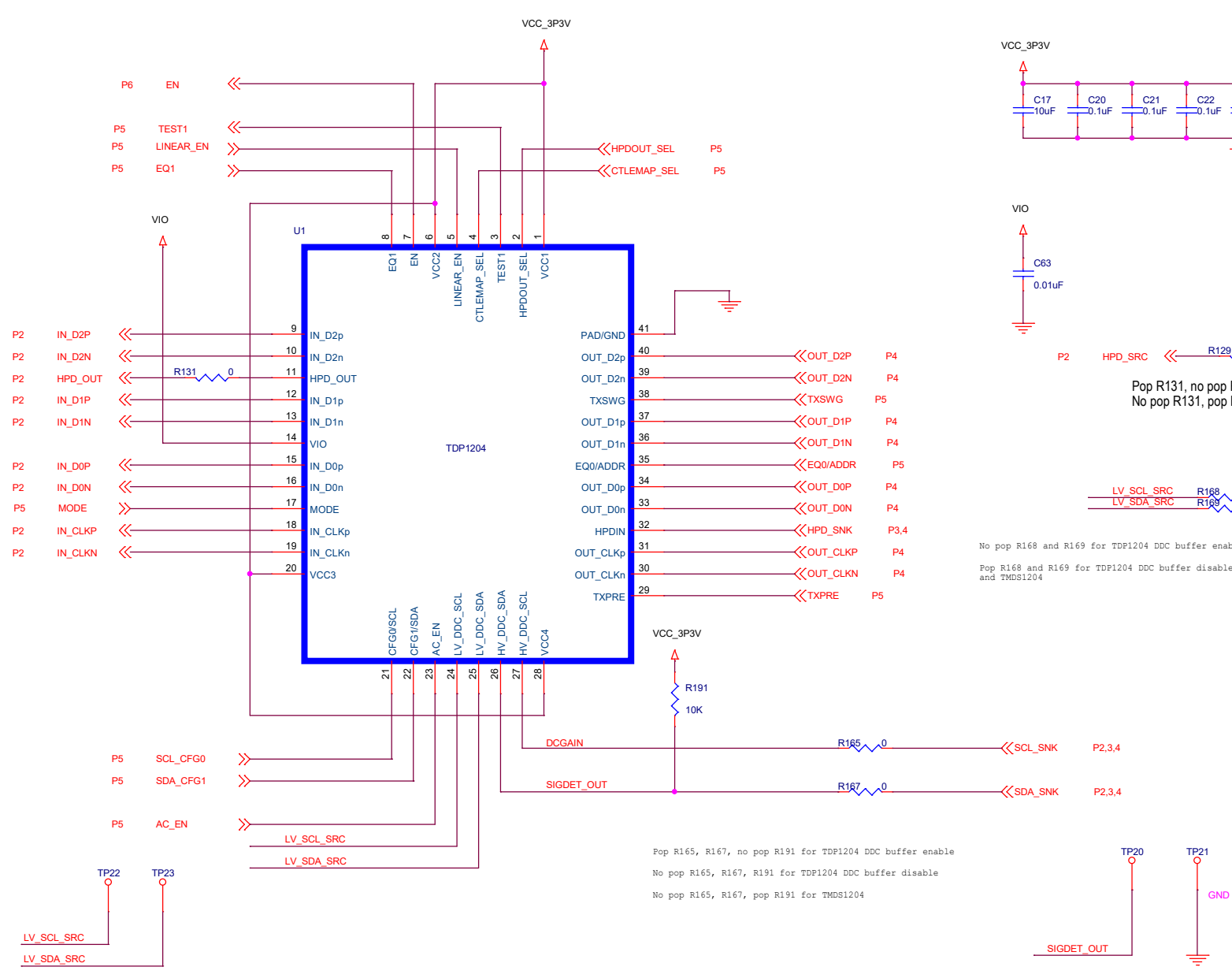


 <b>TEXAS INSTRUMENTS</b>		
TDP1204WQFNEVM, PROJECT# HSDC125_002		
SIZE A	DWG NO:	
SCALE: NONE	Tuesday, May 03, 2022	Sheet 1 of 8

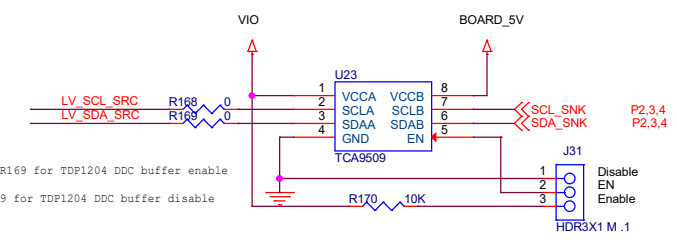
### HDMI RX



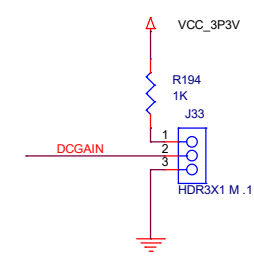
<b>TEXAS INSTRUMENTS</b>	
<b>TDP1204WQFNEVM, HDMI INPUT</b>	
SIZE <b>B</b>	DWG NO:
SCALE: NONE	Friday, October 16, 2020
Sheet 2	of 8



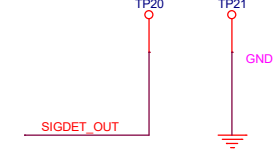
Pop R131, no pop R129, R130 for HPD on  
 No pop R131, pop R129, R130 for HPD snoop only



No pop R168 and R169 for TDP1204 DDC buffer enable  
 Pop R168 and R169 for TDP1204 DDC buffer disable and TMDS1204



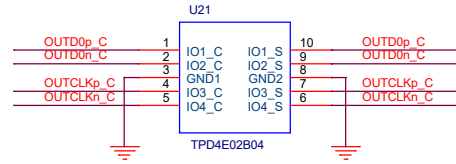
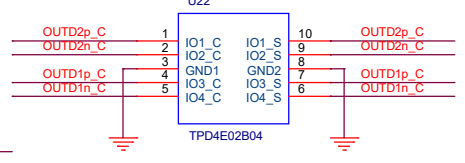
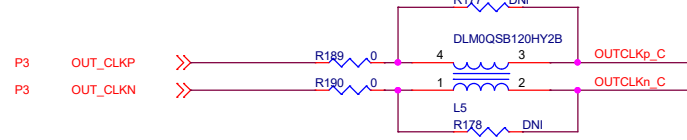
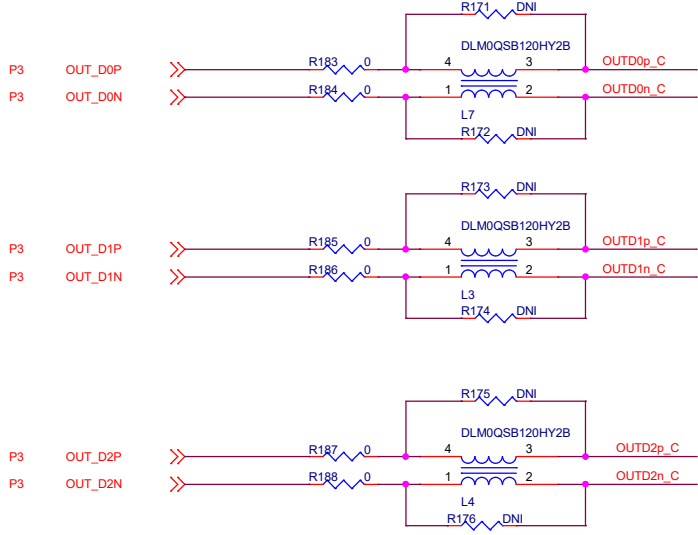
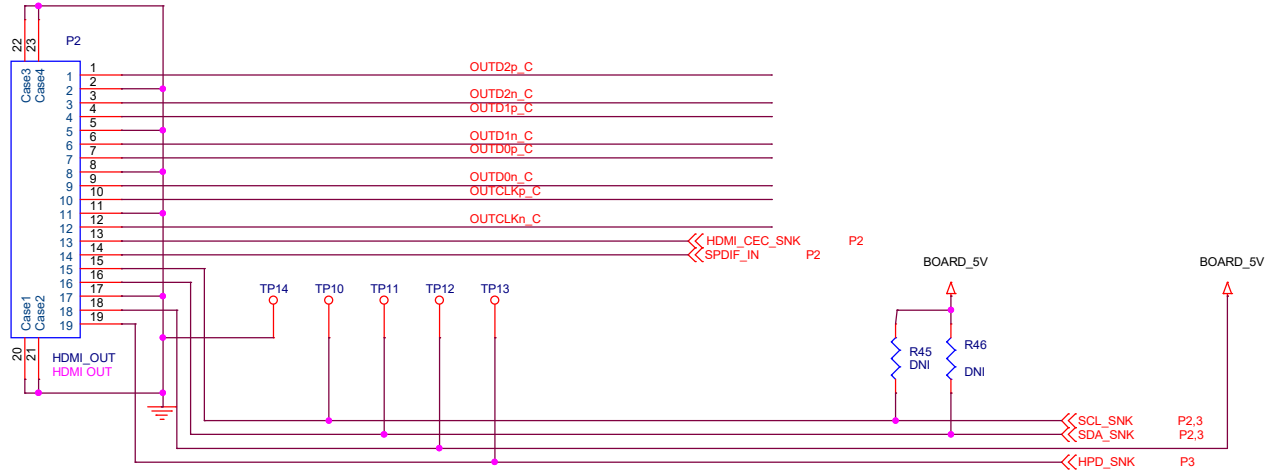
Pop R165, R167, no pop R191 for TDP1204 DDC buffer enable  
 No pop R165, R167, R191 for TDP1204 DDC buffer disable  
 No pop R165, R167, pop R191 for TMDS1204



**TEXAS INSTRUMENTS**  
**TDP1204WQFNEVM, TDP1204 WQFN**

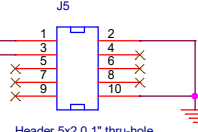
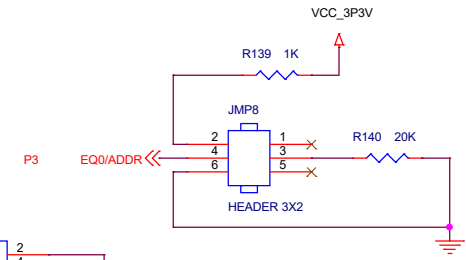
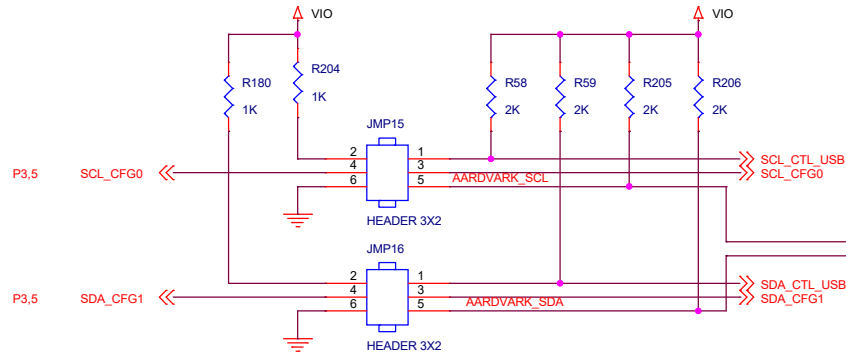
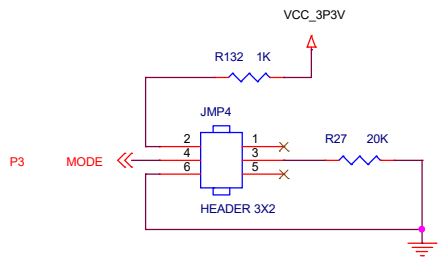
SIZE <b>B</b>	DWG NO:
SCALE: NONE	Friday, October 16, 2020
Sheet 3	of 8

# HDMI TX

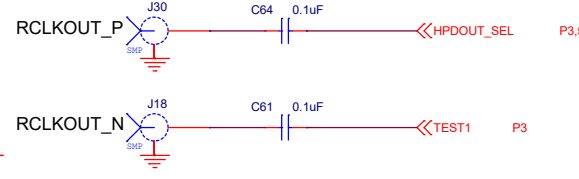
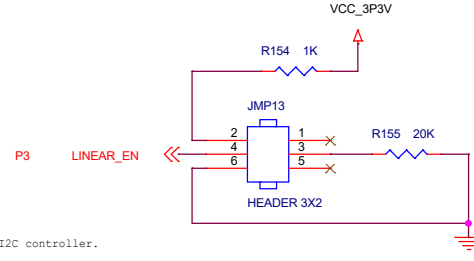
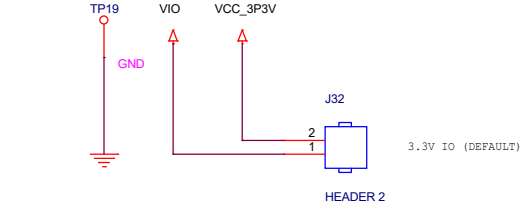
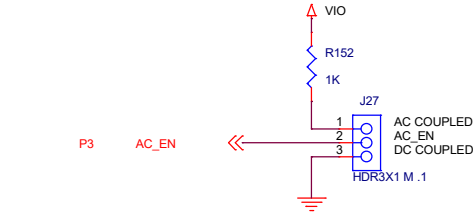
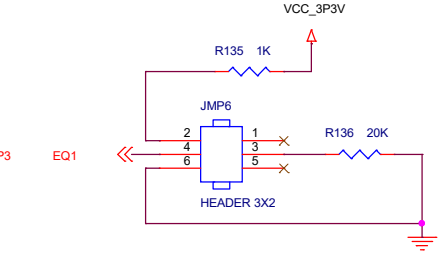
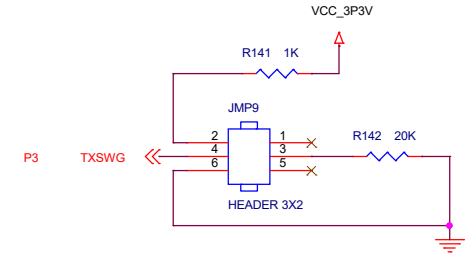
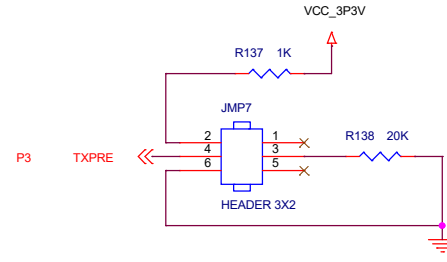
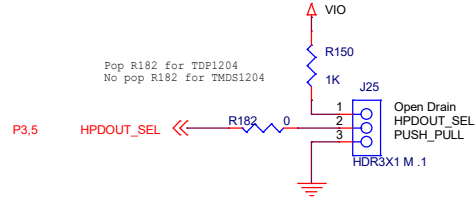
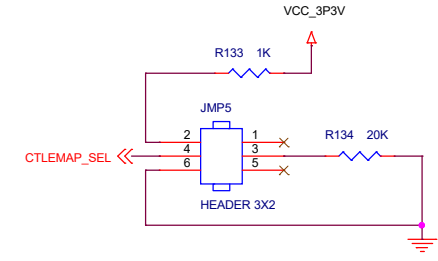


**TEXAS INSTRUMENTS**  
**TDP1204WQFNEVM, HDMI OUTPUT**


SIZE <b>B</b>	DWG NO:
SCALE: NONE	Friday, October 16, 2020
	Sheet 4 of 8

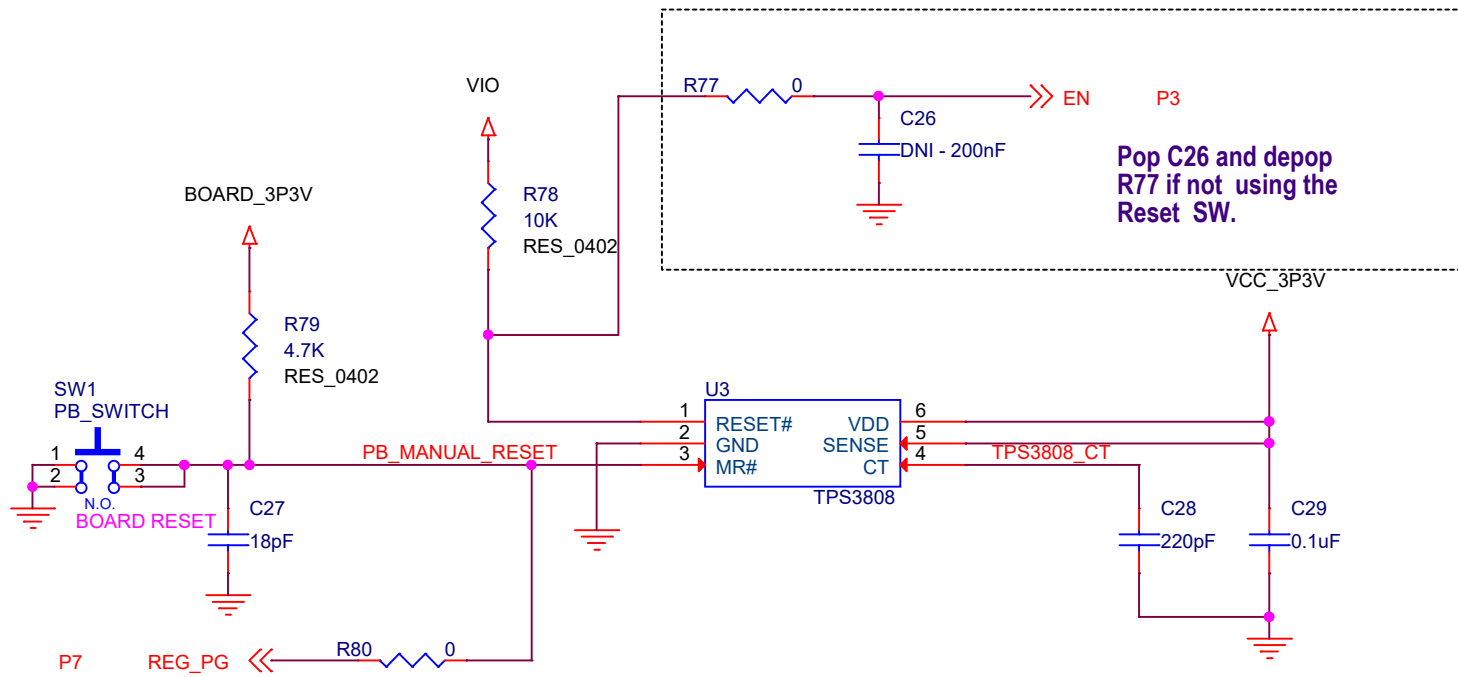



**AARDVARK CONNECTOR**



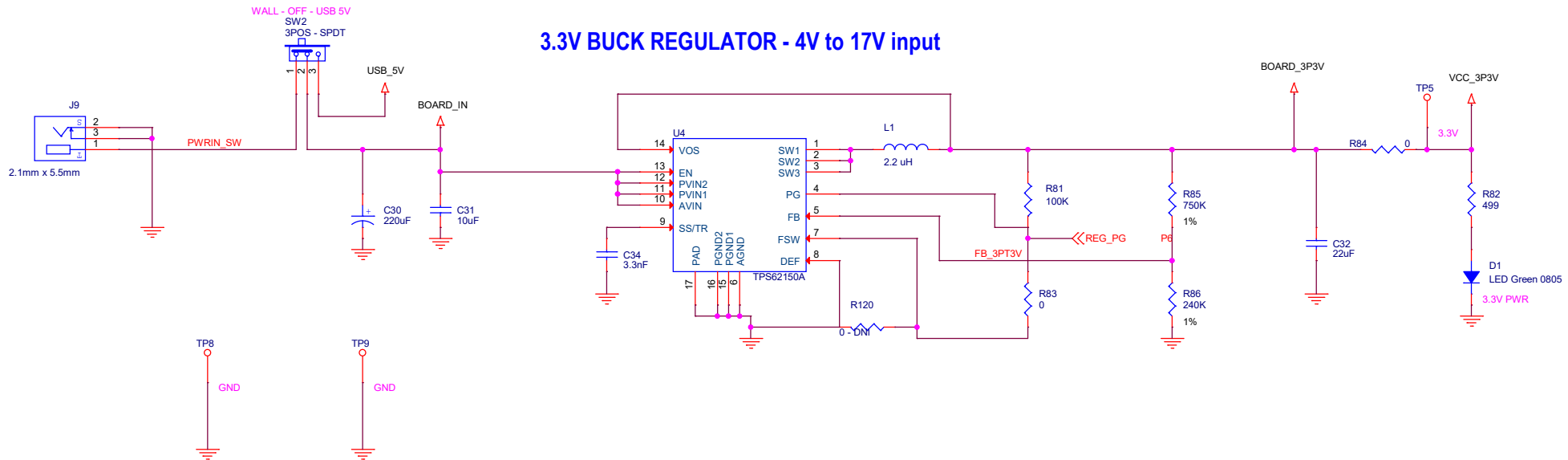
VIO must be set to 3.3V when using the Aardvark or the onboard TUSB3410 I2C controller.


 <b>TEXAS INSTRUMENTS</b>	
<b>TDP1204WQFNEMV, SELECT OPTIONS</b>	
SIZE <b>B</b>	DWG NO:
SCALE: NONE	Friday, October 16, 2020
Sheet 5	of 8

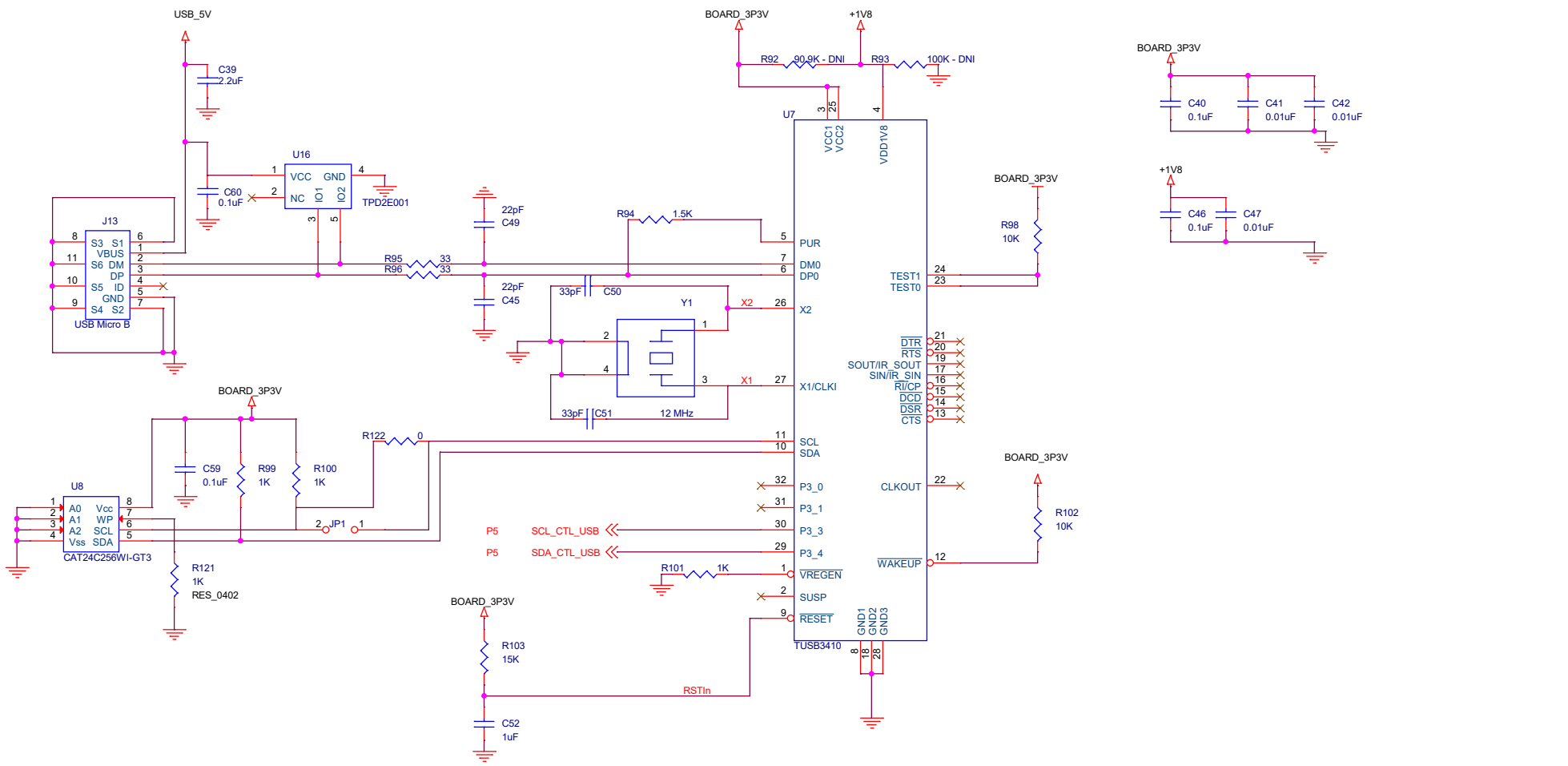



 <b>TEXAS INSTRUMENTS</b>	
<b>TDP1204WQFNEVM, RESET</b>	
SIZE <b>A</b>	DWG NO:
SCALE: NONE	Friday, October 16, 2020
Sheet 6	of 8

### 3.3V BUCK REGULATOR - 4V to 17V input



 <b>TEXAS INSTRUMENTS</b>	
<b>TDP1204WQFNEMV, REGULATORS</b>	
SIZE <b>B</b>	DWG NO:
SCALE: NONE	Friday, October 16, 2020
Sheet 7	of 8

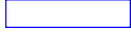


 <b>TEXAS INSTRUMENTS</b>	
<b>TDP1204WQFNEVM, TUSB3410</b>	
SIZE <b>B</b>	DWG NO:
SCALE: NONE	Friday, October 16, 2020
Sheet 8	of 8

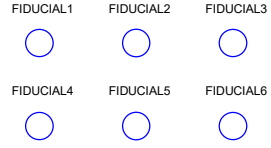


HARDWARE AND ASSEMBLY NOTES

LB1



PCB1



Install label in silkscreened box after final wash.  
Text shall be 8 pt font. Text shall be per the Label  
Table in the PDF schematic.

Variant / Label Table	
Variant	Label Text
001	TDP1204

PCB LOGO  
Texas Instruments

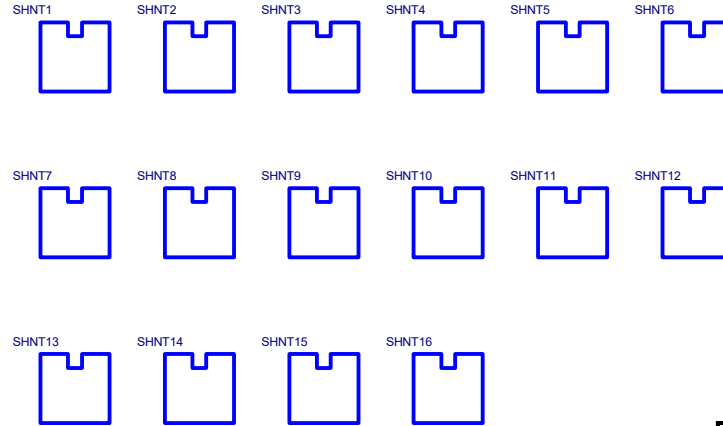
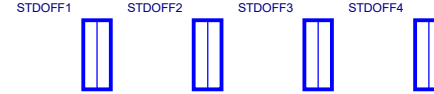
PCB LOGO  
ESD1

PCB LOGO  
FCC Disclaimer

PCB LOGO  
CE LOGO

PCB LOGO  
WEEE LOGO

Mounting Hole Mounting Hole Mounting Hole Mounting Hole



<p>TDP1204WQFNEVM, HARDWARE</p>	
<p>SIZE B</p>	<p>DWG NO:</p>
<p>SCALE: NONE</p>	<p>Friday, October 16, 2020</p>
<p>Sheet 9</p>	<p>of 9</p>