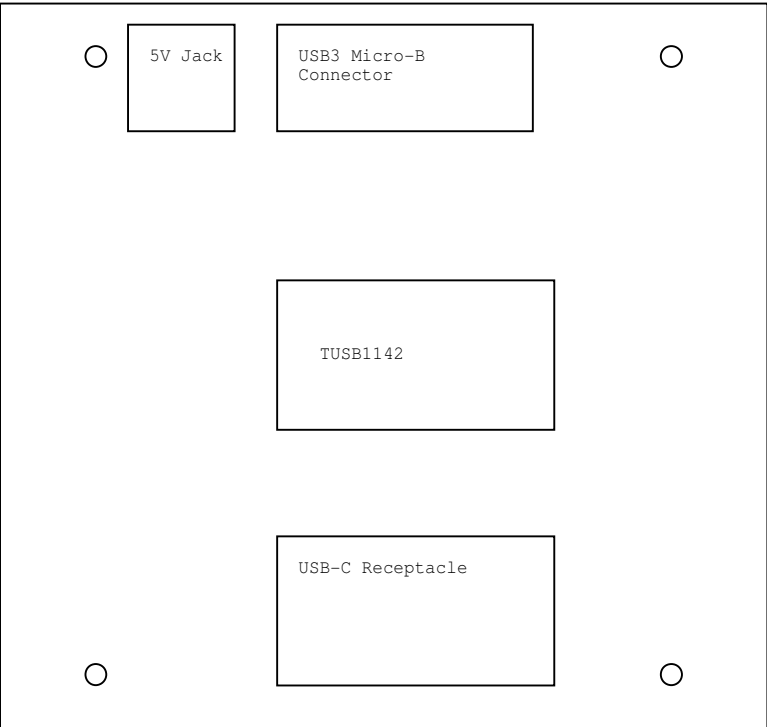


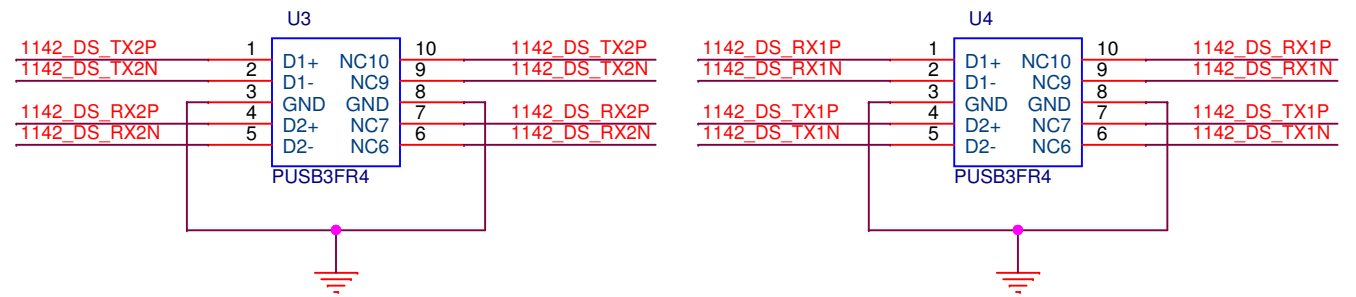
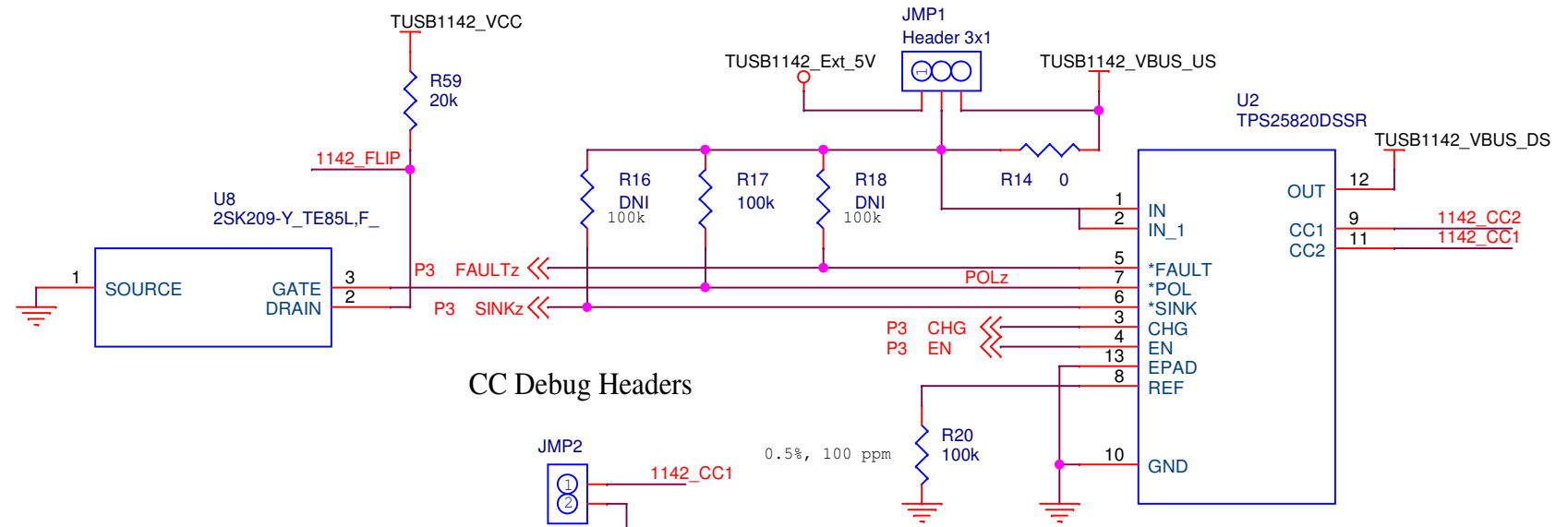
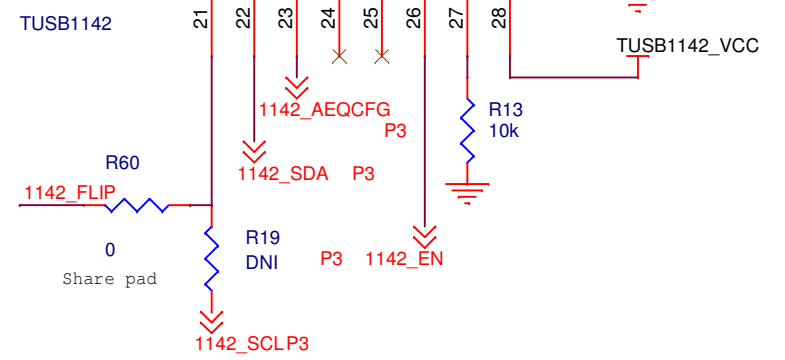
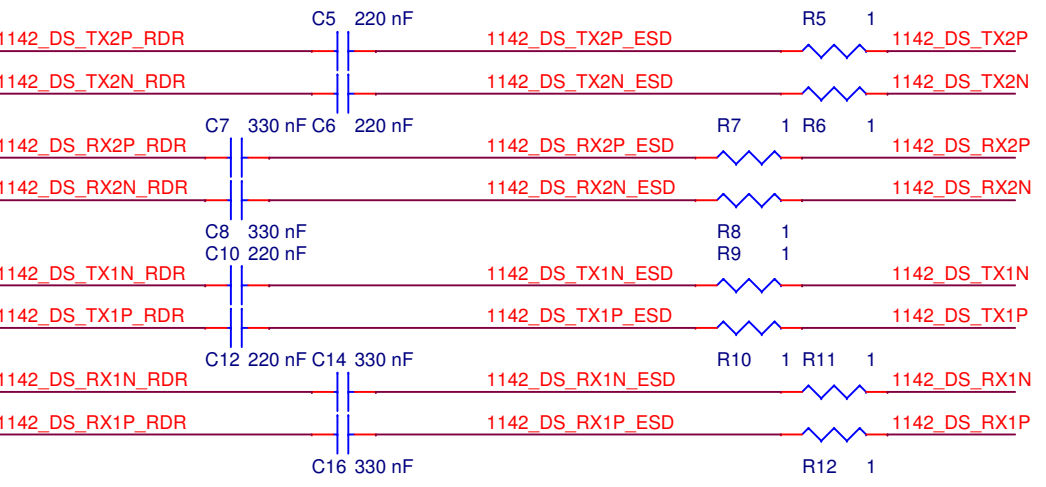
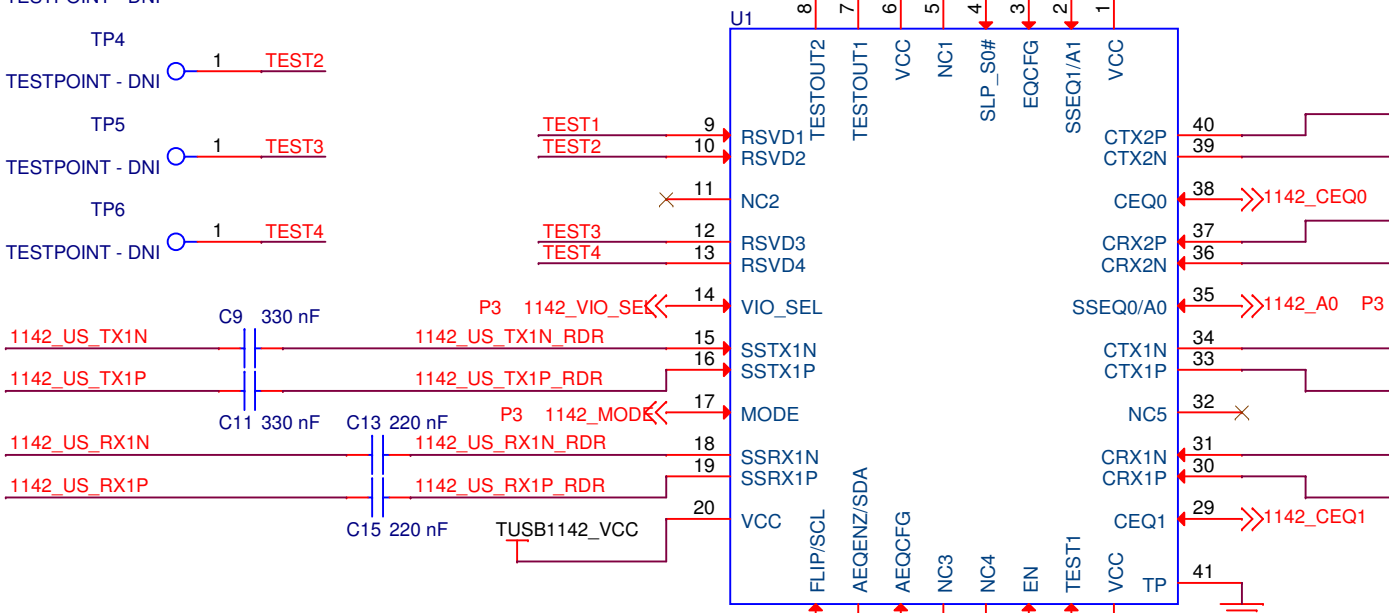
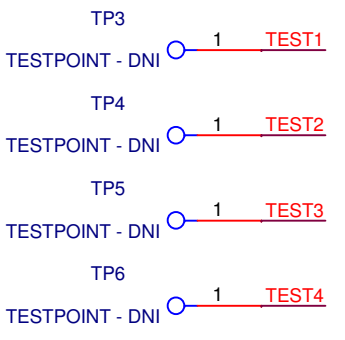
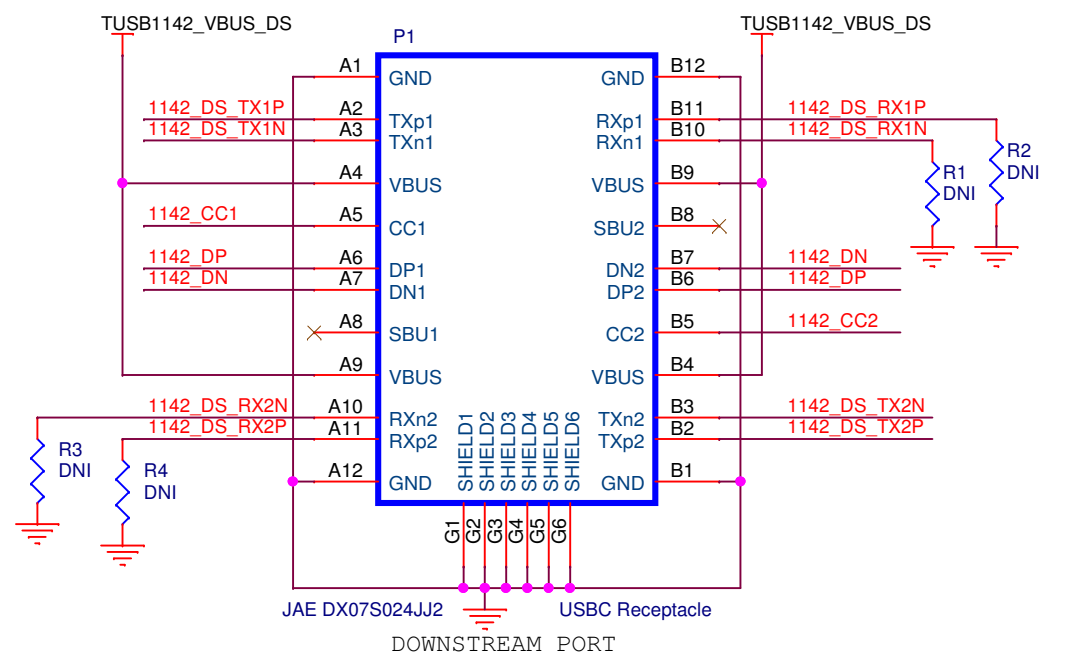
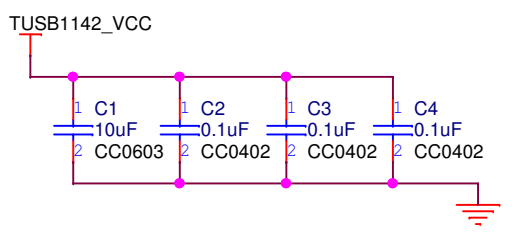
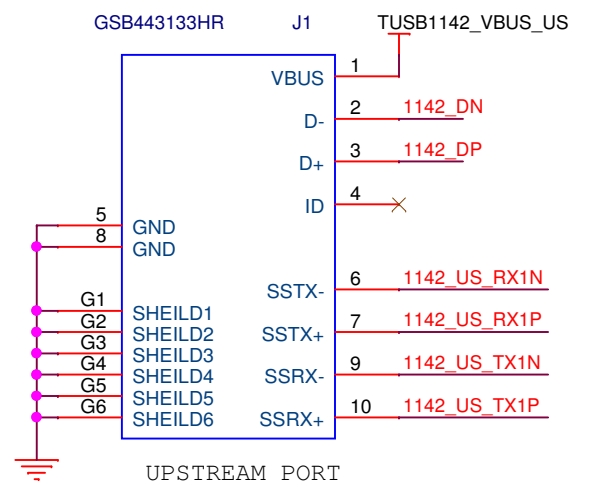
HSDC128A

Upstream Port

Downstream Port

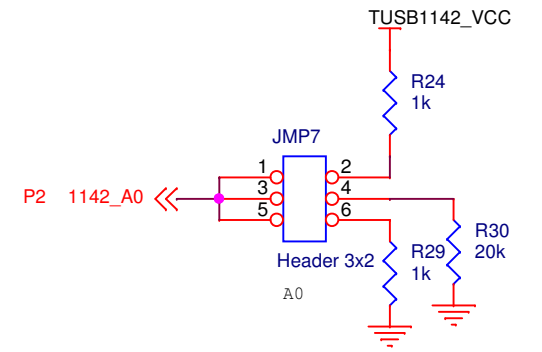
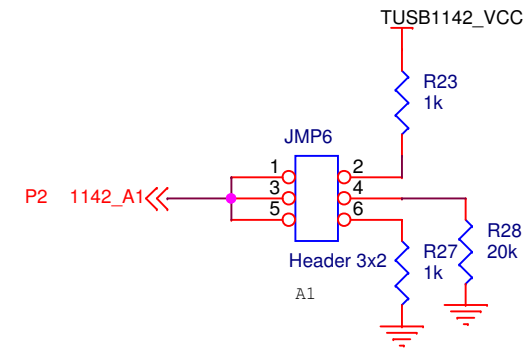
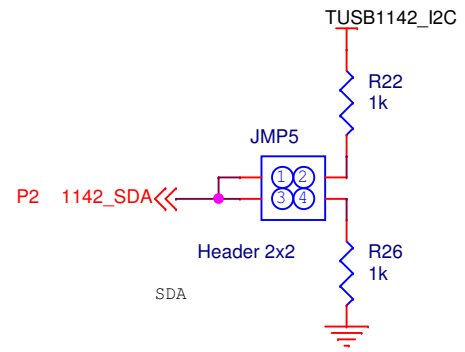
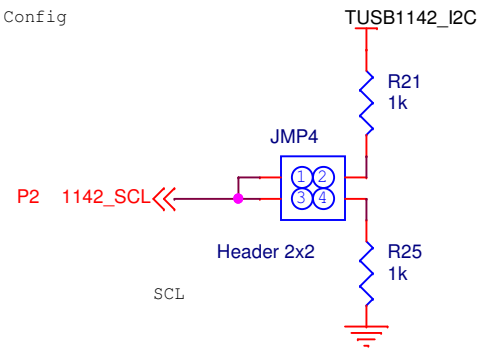


Title		
HSDC128A		
Size	Document Number	Rev
B	HSDC128A	A
Date:	Monday, January 31, 2022	Sheet 1 of 5

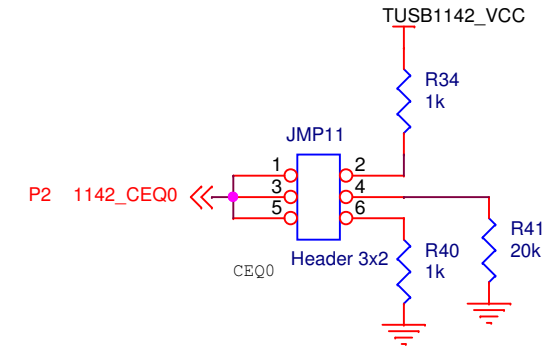
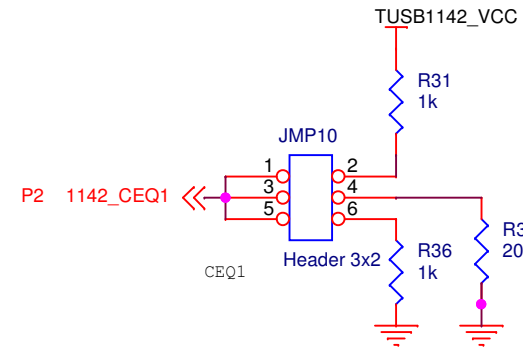
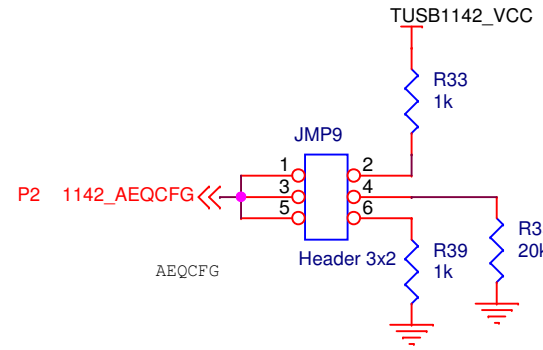
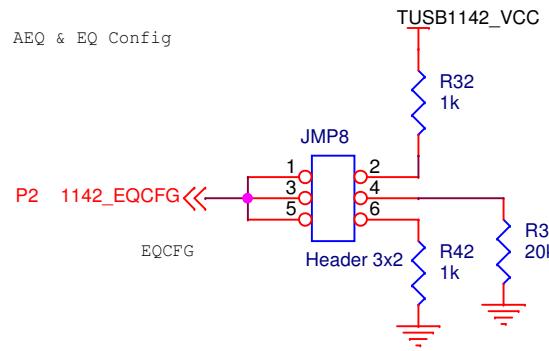


Title			TUSB1142		
Size	Document Number		HSDC128A		
B			Rev	A	
Date:	Tuesday, February 01, 2022	Sheet	2	of	5

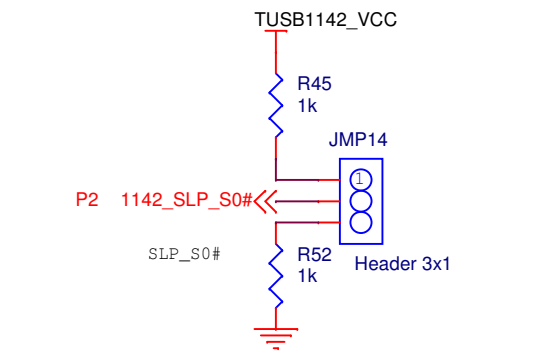
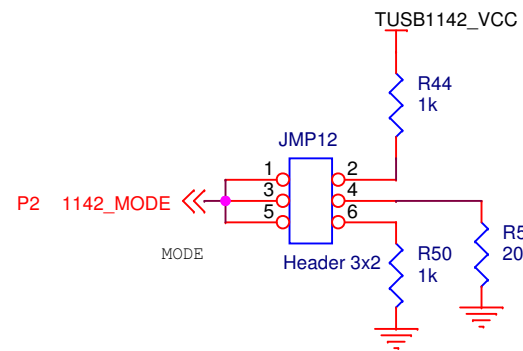
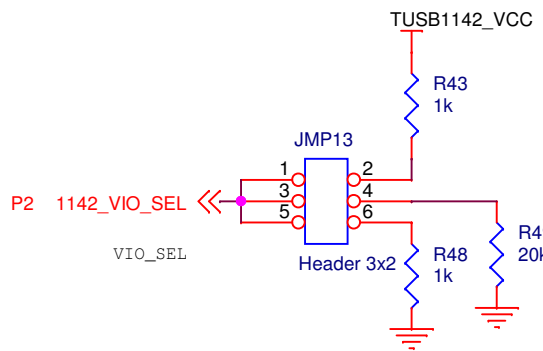
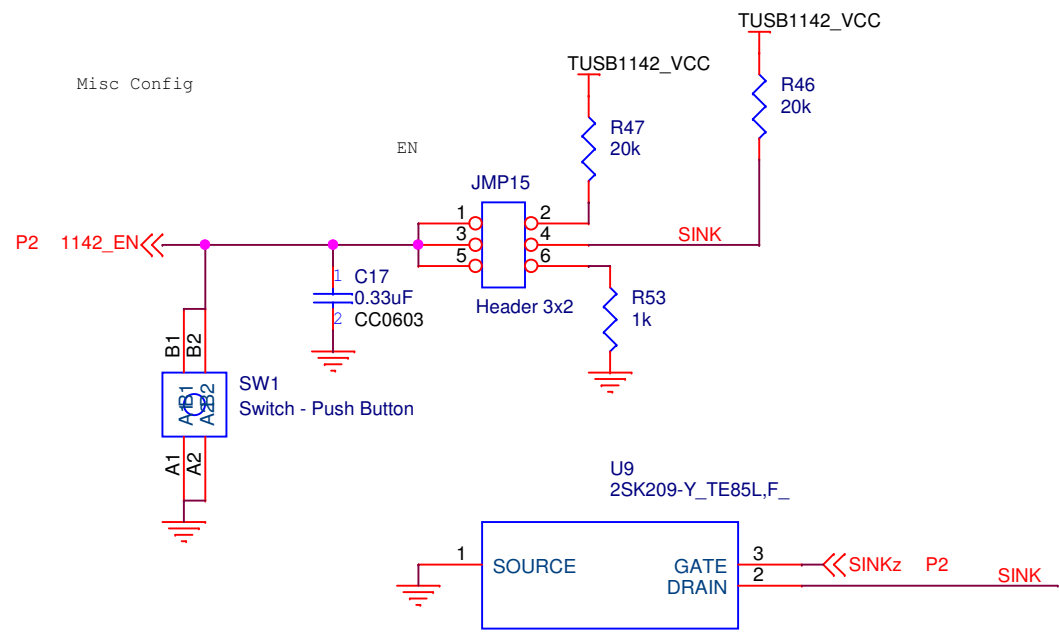
I2C Config



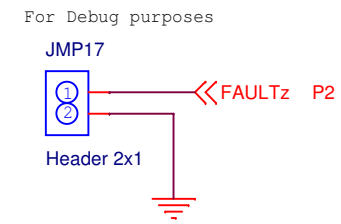
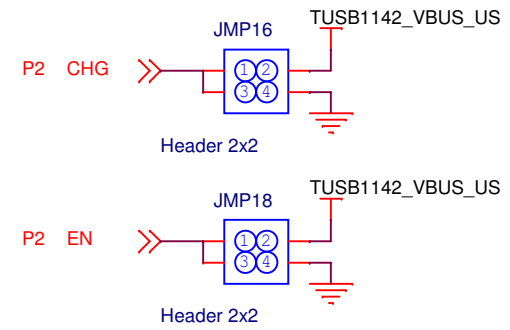
AEQ & EQ Config



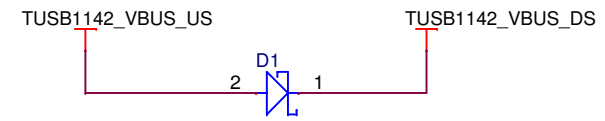
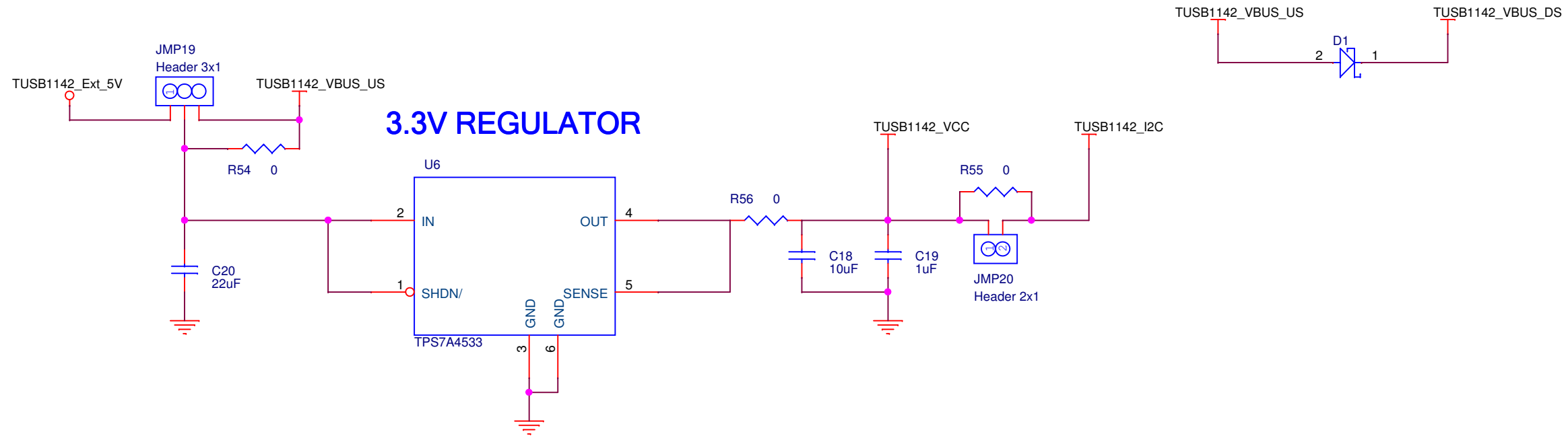
Misc Config



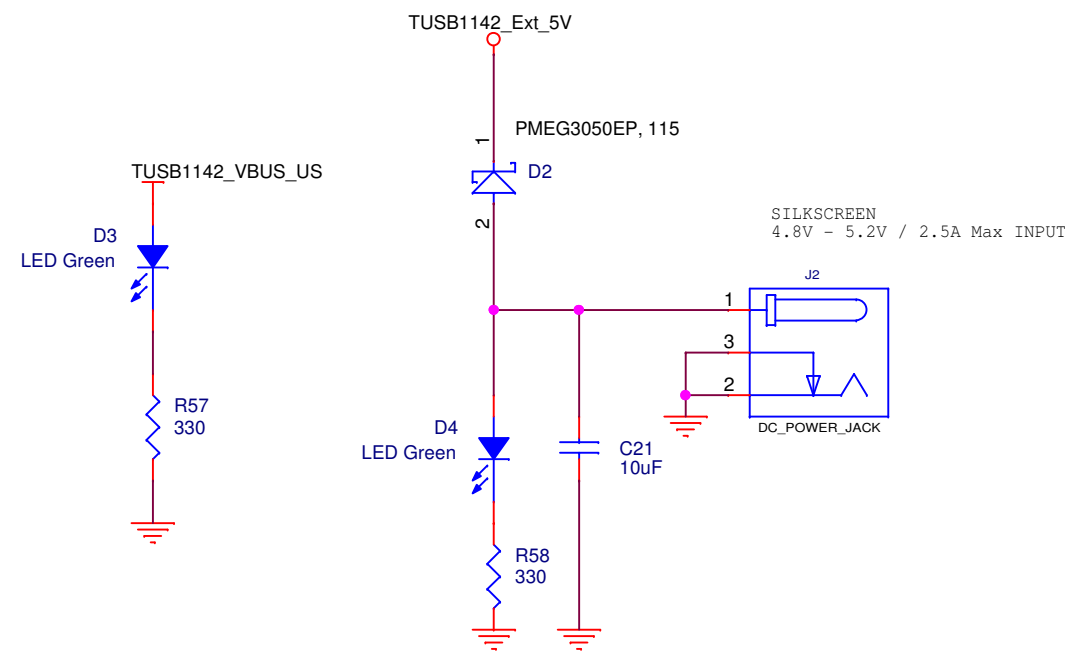
CC Controller Config



Title		
Pin Straps		
Size B	Document Number HSDC128A	Rev A
Date: Monday, January 31, 2022	Sheet 3 of 5	



External 5V IN



Title		
Power		
Size	Document Number	Rev
B	HSDC128A	A
Date:	Monday, January 31, 2022	Sheet 4 of 5

PCB LOGO
Texas Instruments

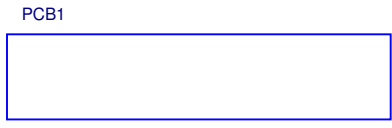
PCB LOGO
ESD1

PCB LOGO
FCC Disclaimer

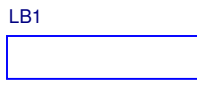
PCB LOGO
CE LOGO

PCB LOGO
WEEE LOGO

PCB LOGO
For Lab Validation Only

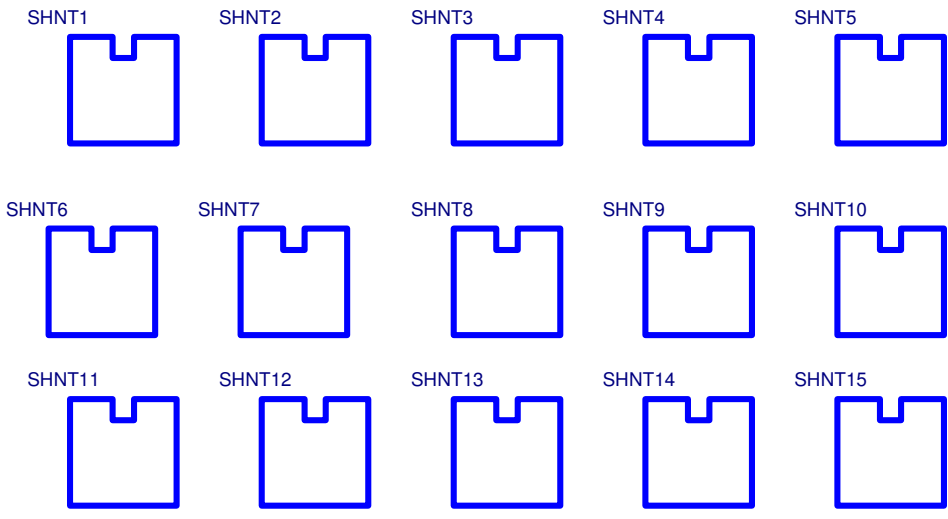
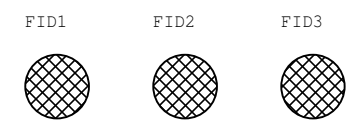


HSDC128A

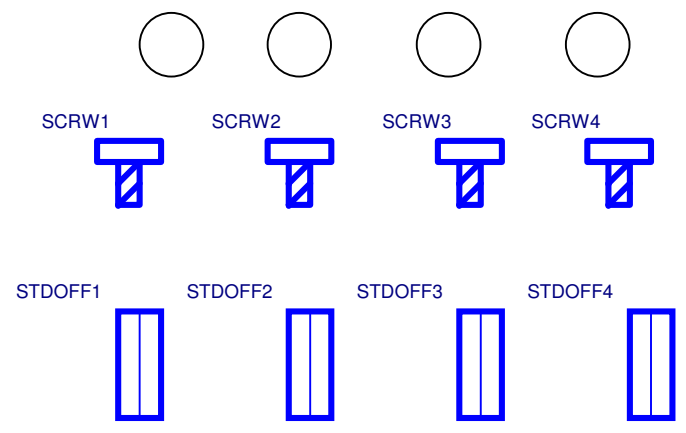


Install label in silkscreened box after final wash. Text shall 8 pt font. Text shall be per the label table in the PDF Schematic

Variant / Label Table	
Variant	Label Text
001	HSDC128A



Mounting Hole Mounting Hole Mounting Hole Mounting Hole



Title		
Hardware		
Size	Document Number	Rev
B	HSDC128A	A
Date:	Monday, January 31, 2022	Sheet 5 of 5