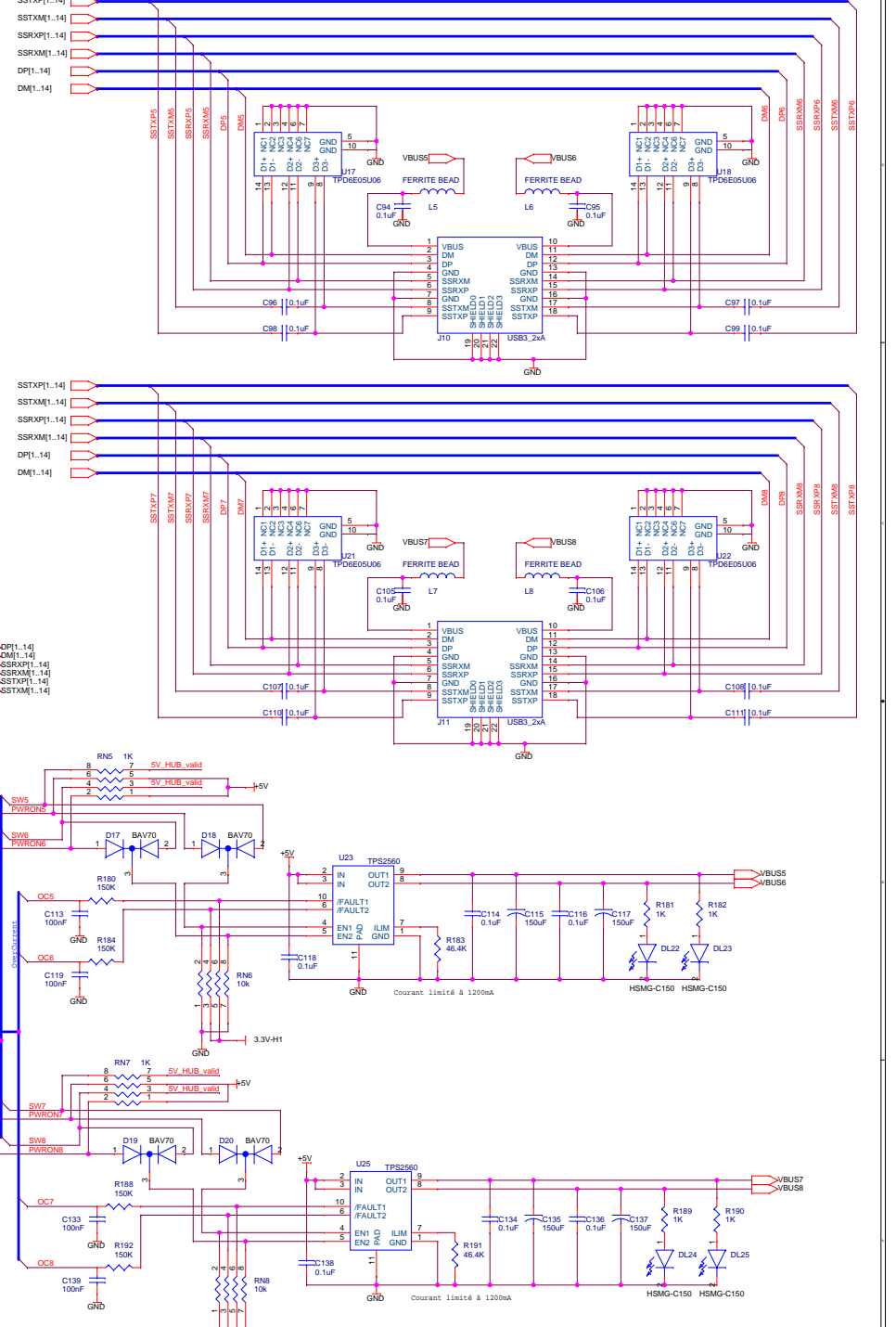
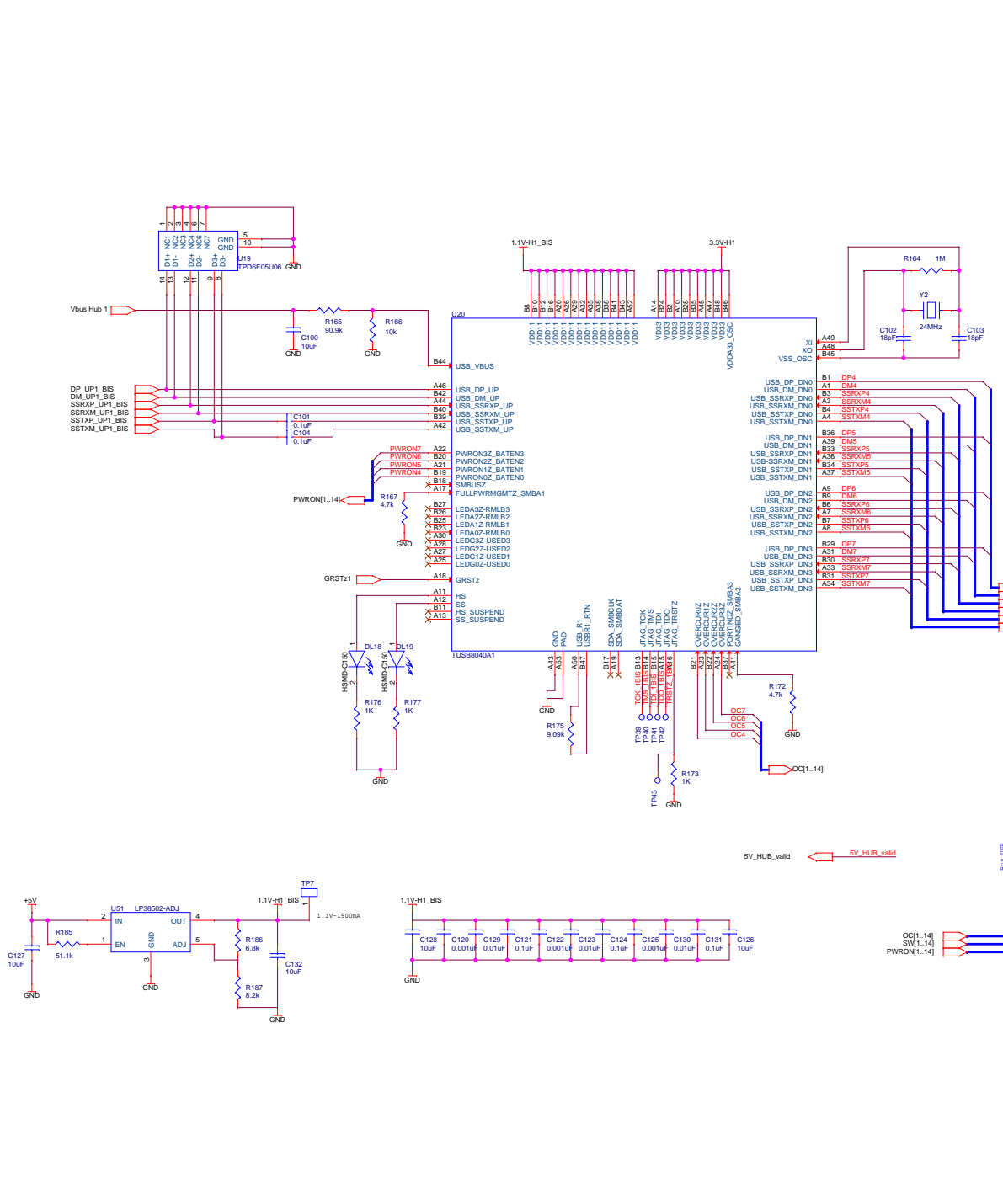


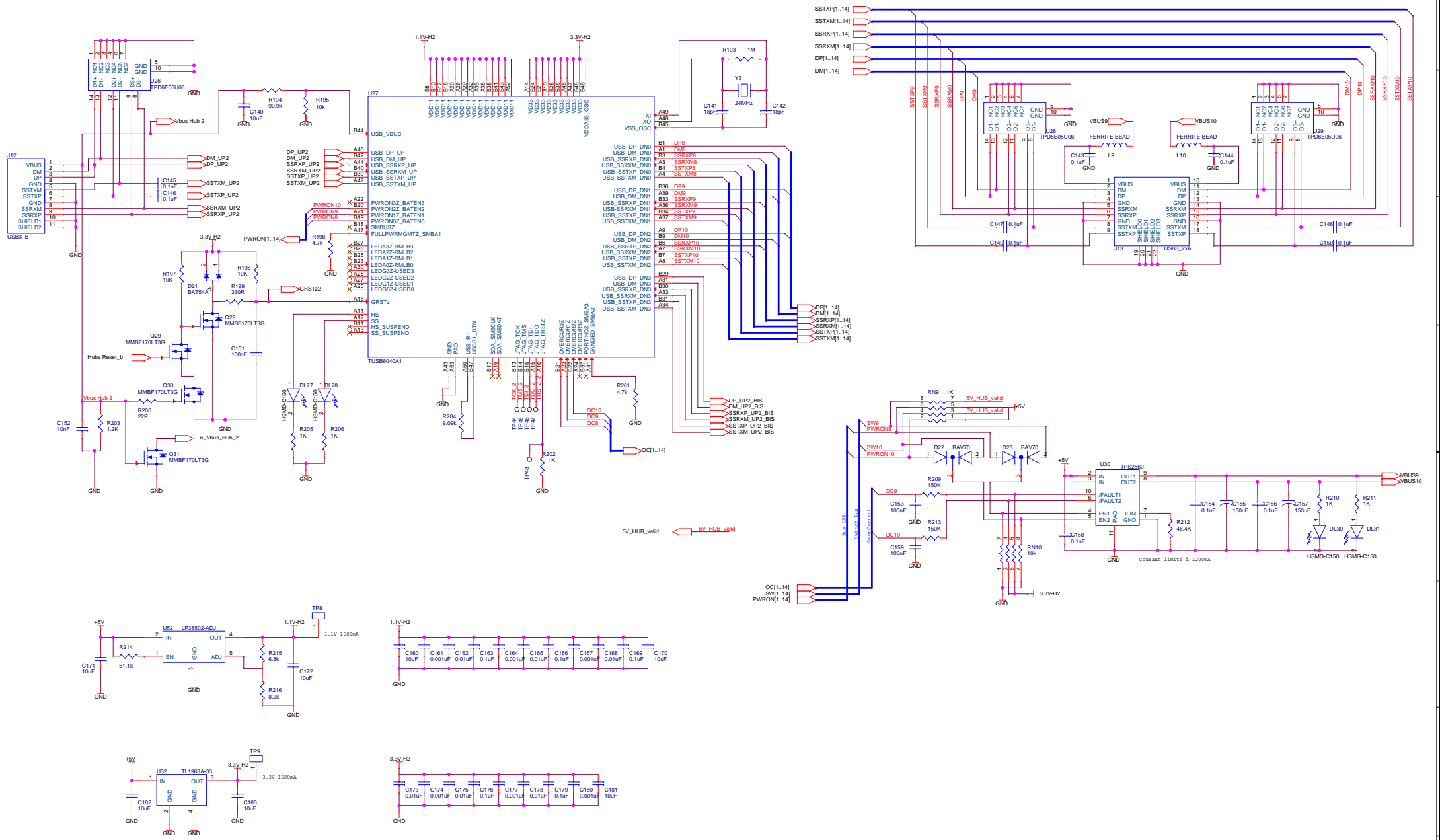
Activation du port USB1 avec BP	Activation du port USB2 part default au boot.
---------------------------------	---

Composants à monter	U407, R416, R417, C422, C411, C412, SW401	Q401, R418
---------------------	---	------------

	<b>SuperIO_LPC2478_USB3.0</b> SCHEMATIC	Drawn by: PLR Date: Thursday, July 09, 2015 CAD Number: 060682823	SCALE: 1:1 FOLIO: 3 Rev: A
--	--	---	----------------------------------

The information contained in this document is privileged and confidential. Unauthorised copy, modification, disclosure or use of the contents is strictly prohibited without the authorisation of KIS-Photo Me Group. Les informations contenues dans ce document sont strictement confidentielles. Toute copie, modification, divulgation ou utilisation de ce document est strictement interdite sans l' autorisation de la société KIS-Photo Me Group.

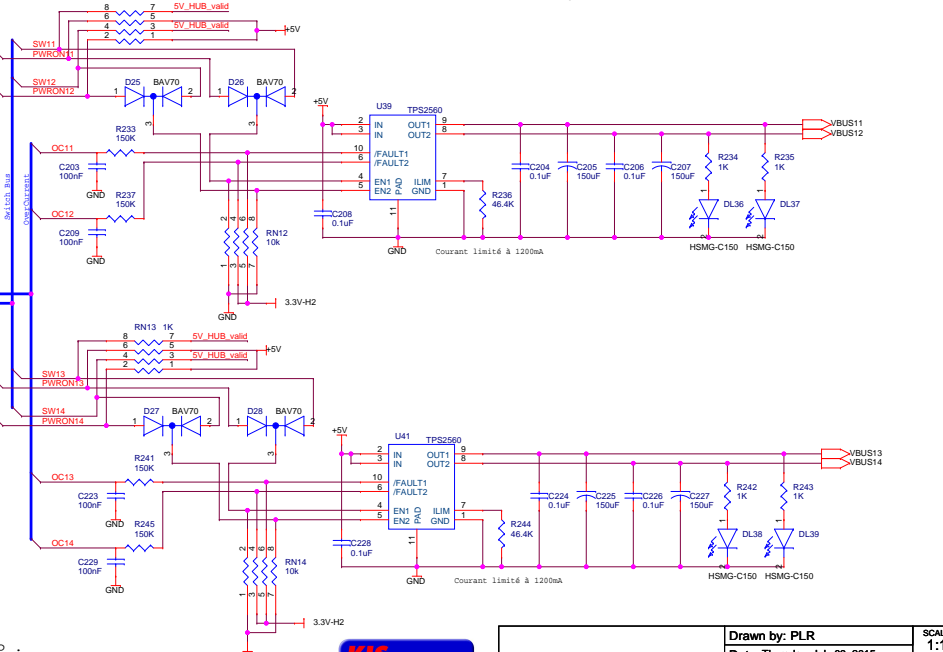
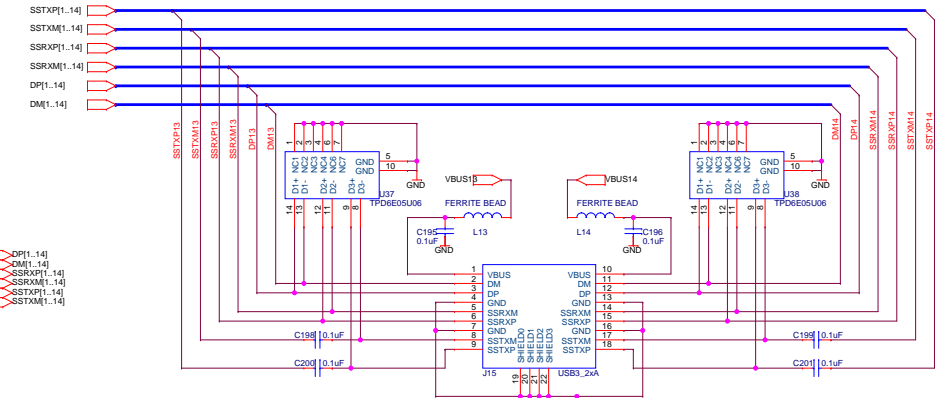
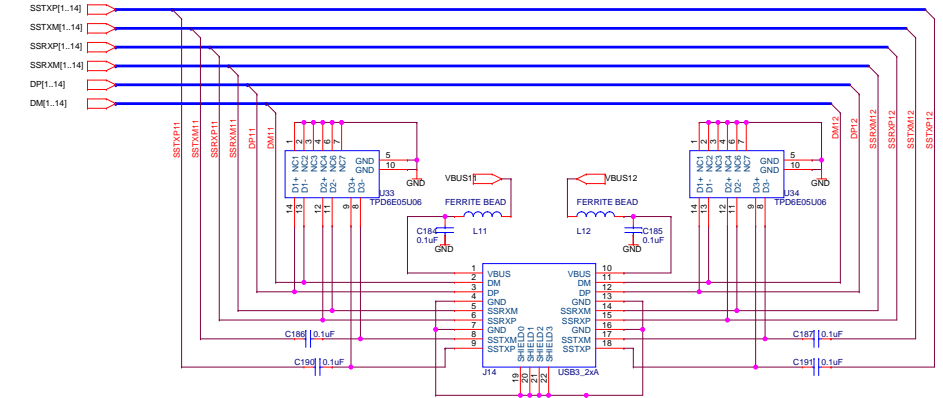
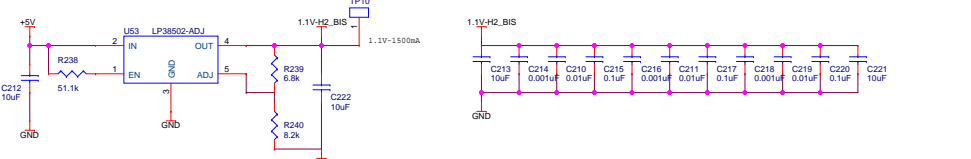
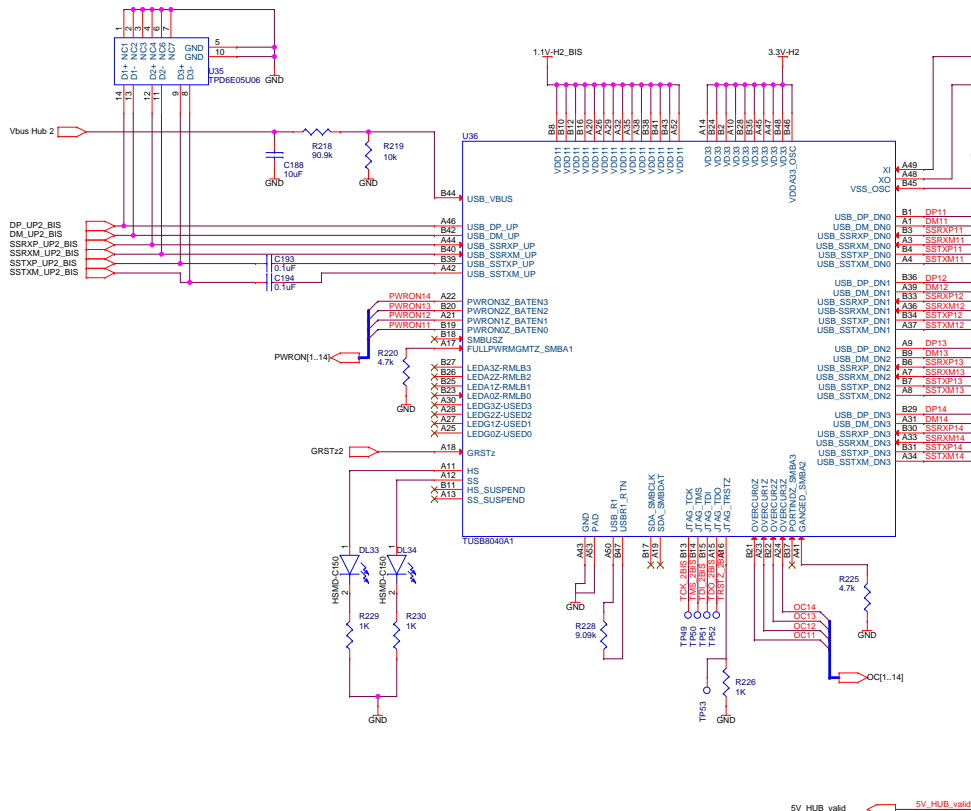




The information contained in this document is privileged and confidential.  
 Unauthorised copy, modification, disclosure or use of the contents is strictly prohibited without the authorisation of KIS-Photo Me Group .  
 Les informations contenues dans ce document sont strictement confidentielles.  
 Toute copie, modification, divulgation ou utilisation de ce document est strictement interdite sans l' autorisation de la société KIS-Photo Me Group.



SuperIO_LPC2478 USB3.0 SCHEMATIC	Drawn by: PLR	SCALE 1:1
	Date: Thursday, July 09, 2015	FOLIO 5
	CAD Number 060682823	Rev A



The information contained in this document is privileged and confidential.  
 Unauthorised copy, modification, disclosure or use of the contents is strictly prohibited without the authorisation of KIS-Photo Me Group.  
 Les informations contenues dans ce document sont strictement confidentielles.  
 Toute copie, modification, divulgation ou utilisation de ce document est strictement interdite sans l' autorisation de la société KIS-Photo Me Group.



SuperIO_LPC2478_USB3.0		Drawn by: PLR	SCALE 1:1
SCHEMATIC		Date: Thursday, July 09, 2015	FOLIO
		CAD Number 060682823	Rev 6
		A	11