

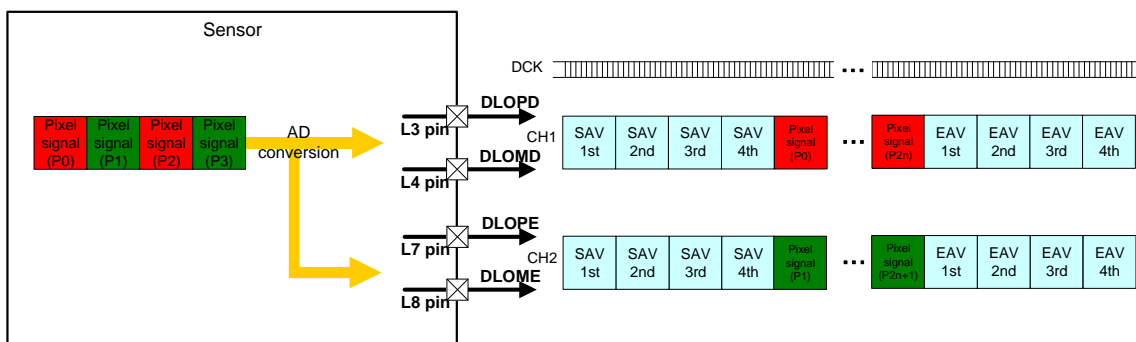
4 Image data output: Low voltage LVDS serial output

This section describes the Low voltage LVDS serial output mode.

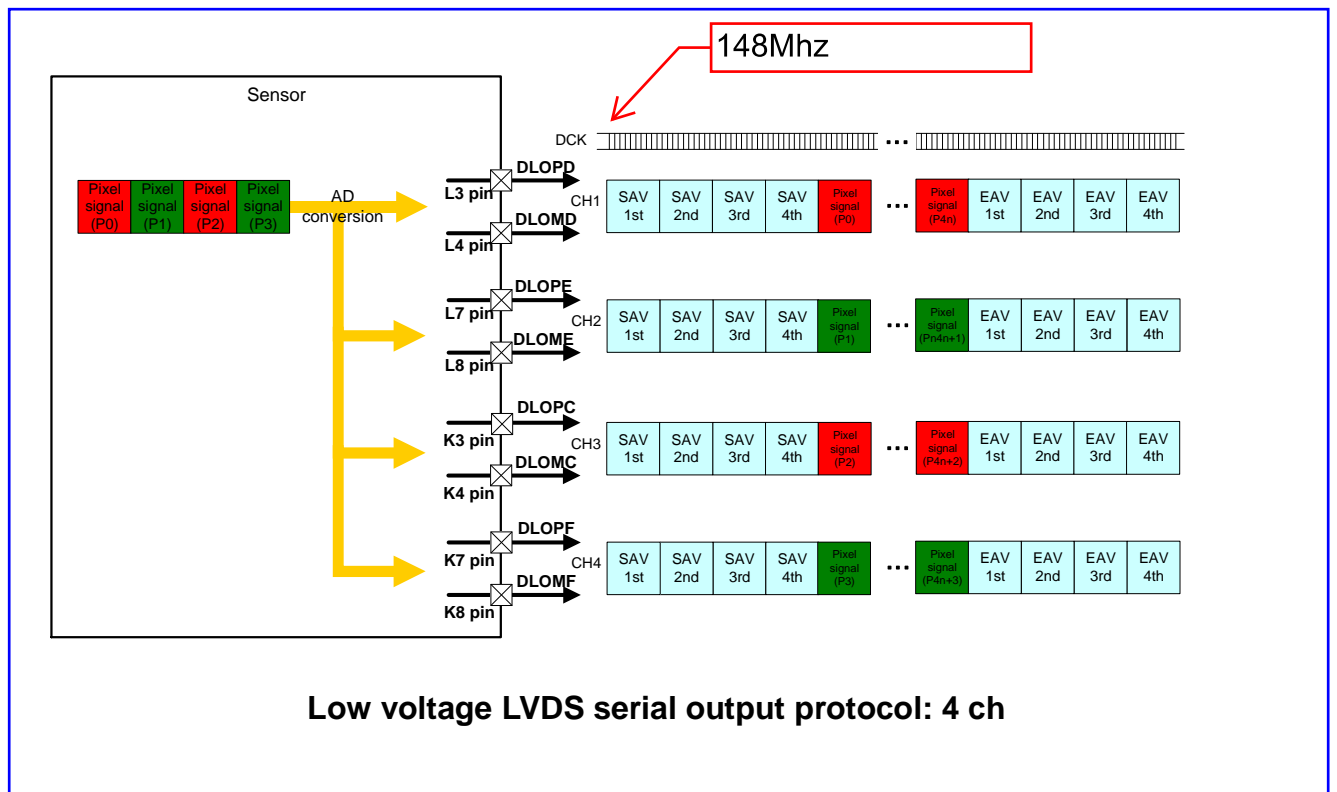
4-1 Low voltage LVDS serial output

4-1-1 Low voltage LVDS serial Diagram

Low voltage LVDS serial output format is shown in the figure below. The data is output from signal pair of P and M after the analog to digital conversion process. When setting 2ch, after four data of SAV is output in the order of CH1 and CH2 pixel data is repeatedly output in the same order and then four data of EAV is output in the same order to CH1 and CH2 respectively. When setting 4ch, after four data of SAV is output in the order of CH1, CH2, CH3 and CH4 pixel data is repeatedly output in the same order and then four data of EAV is output in the same order to CH1, CH2, CH3 and CH4 respectively



Low voltage LVDS serial output protocol: 2 ch (IMX124 only)



Low voltage LVDS serial output protocol: 4 ch