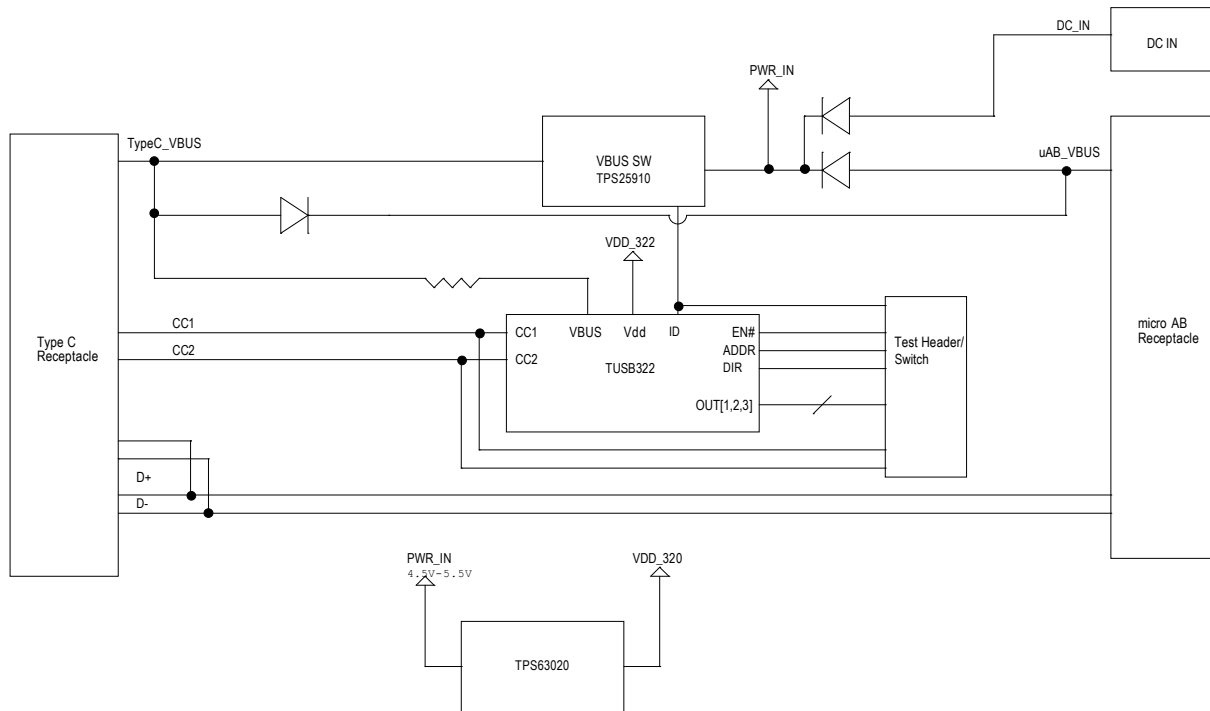
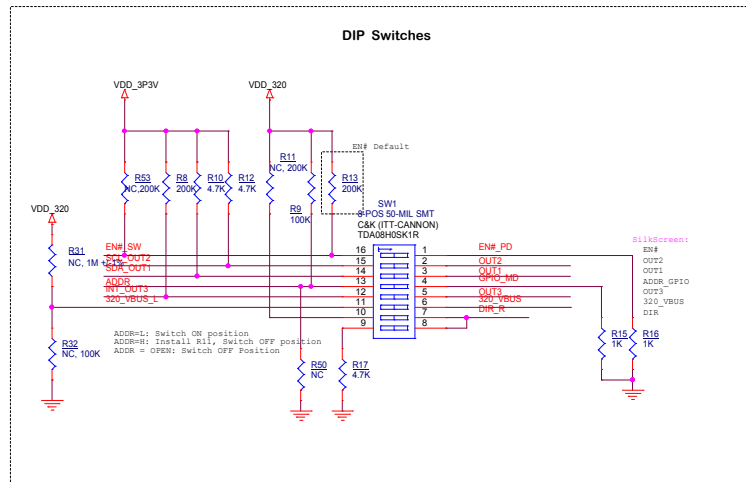
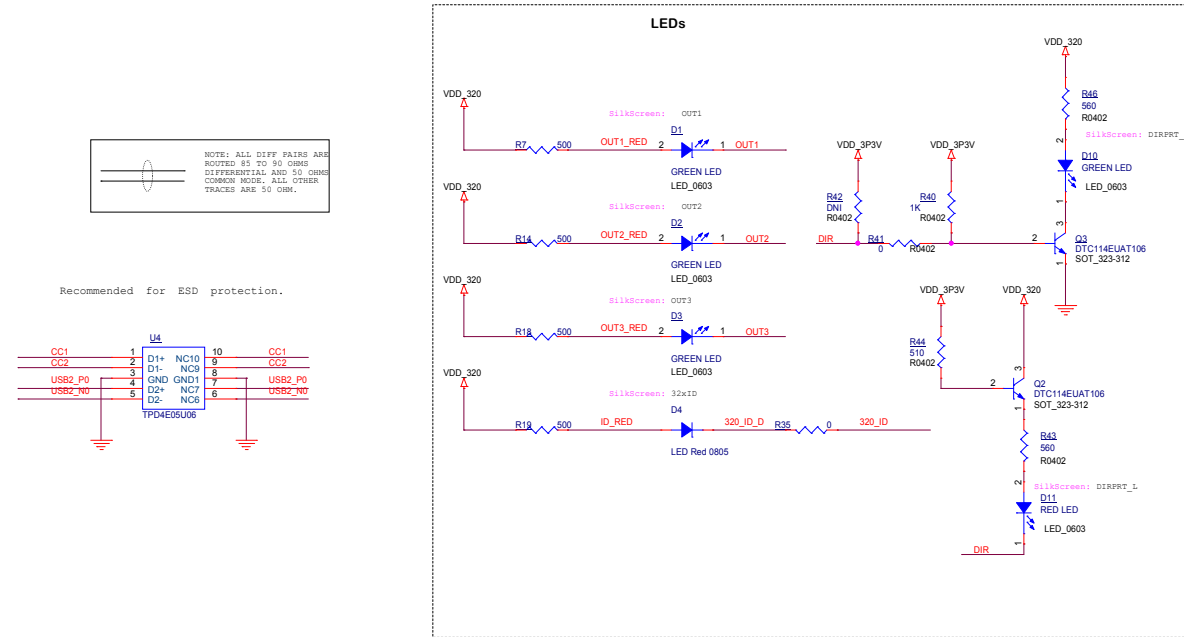
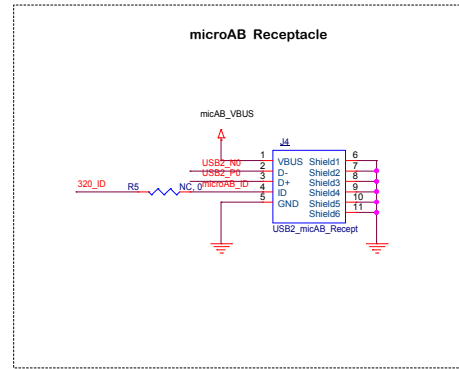
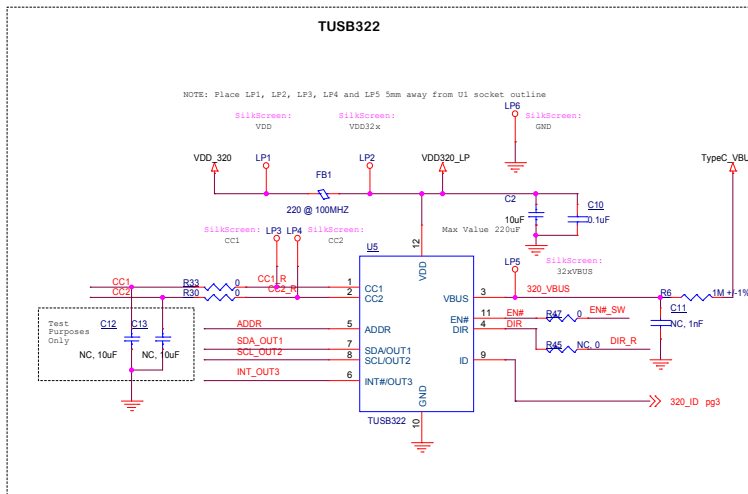
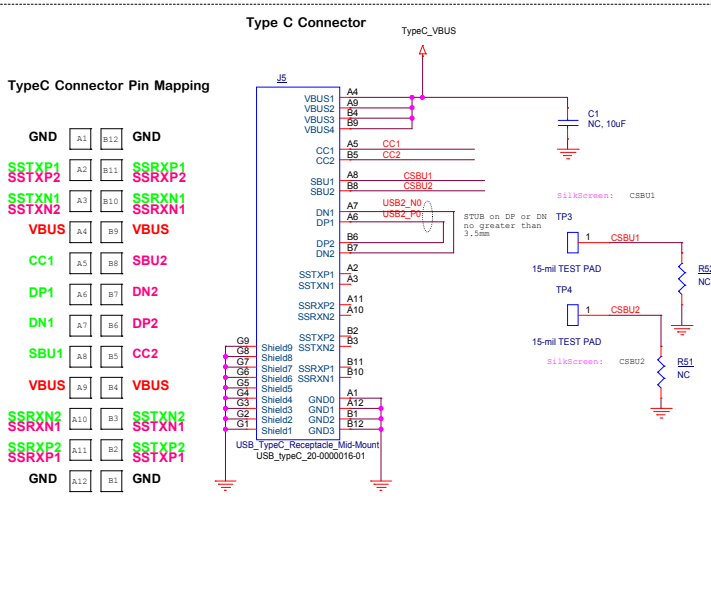
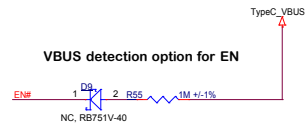
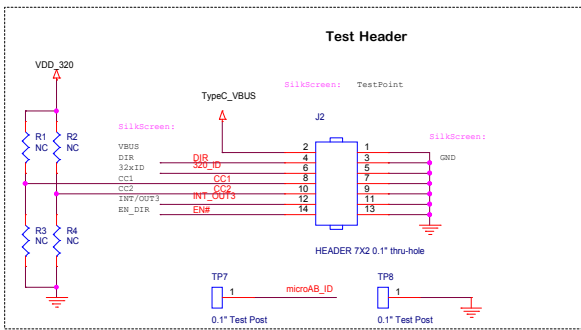
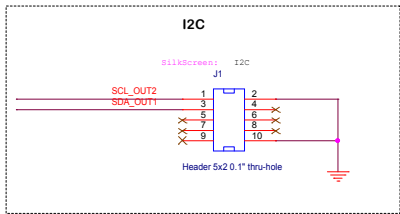
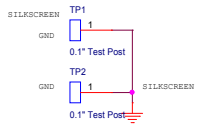
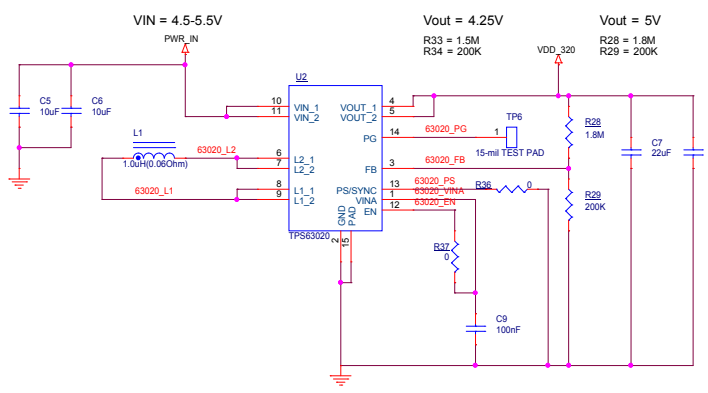
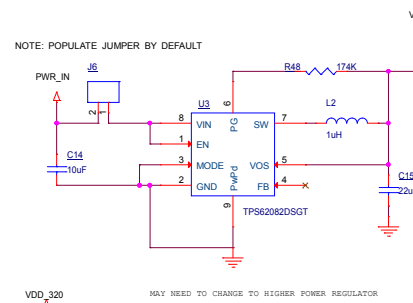
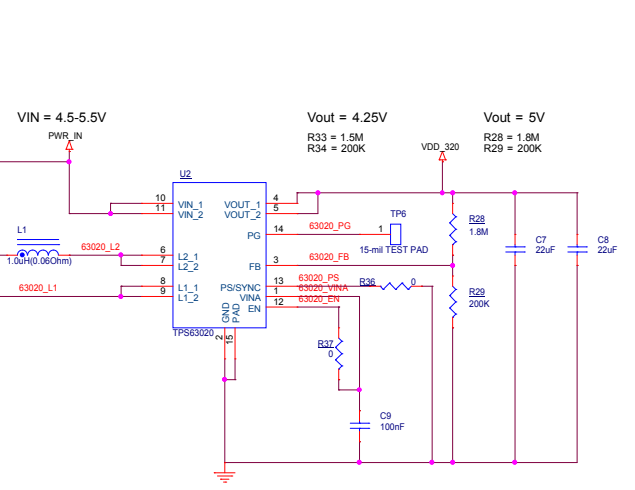
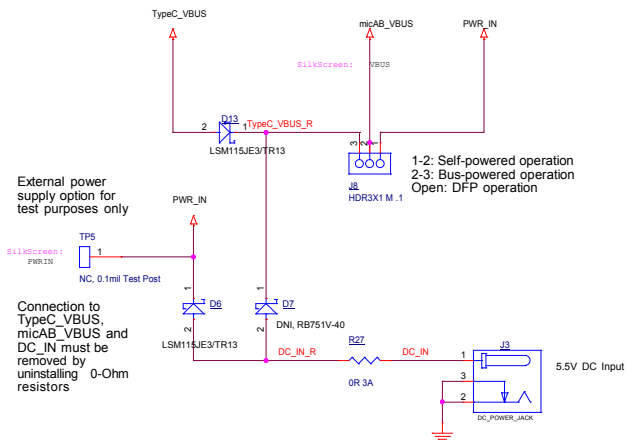
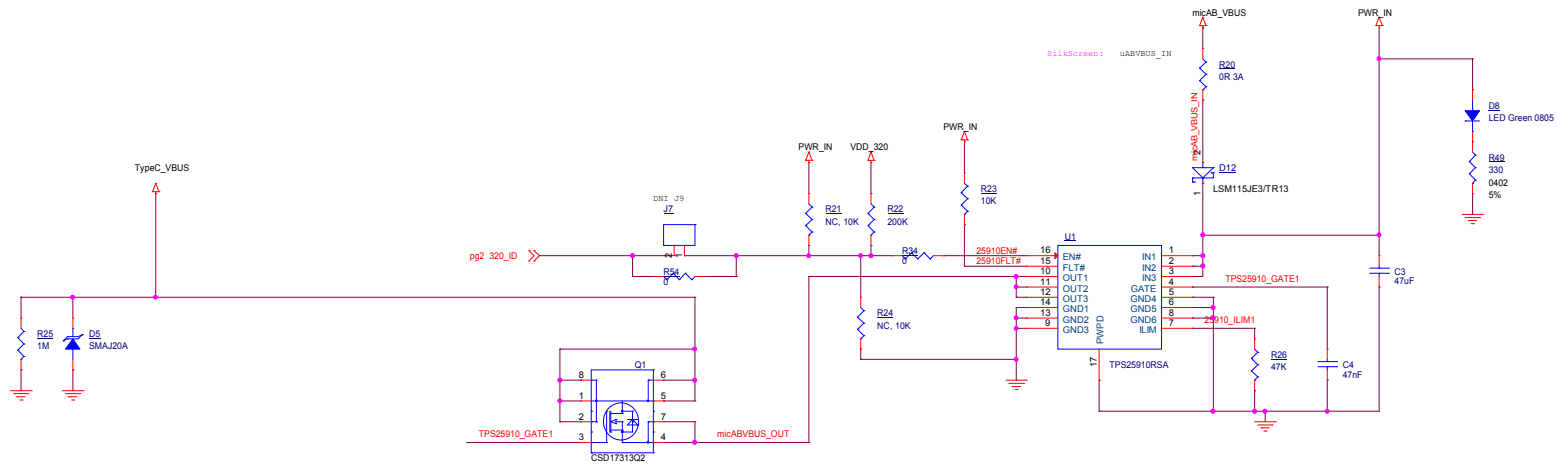


TUSB322EVM INT024
Rev A







External power supply option for test purposes only

1-2: Self-powered operation
2-3: Bus-powered operation
Open: DFP operation

Connection to TypeC_VBUS, micAB_VBUS and DC_IN must be removed by uninstalling 0-Ohm resistors

NOTE: POPULATE JUMPER BY DEFAULT

MAY NEED TO CHANGE TO HIGHER POWER REGULATOR