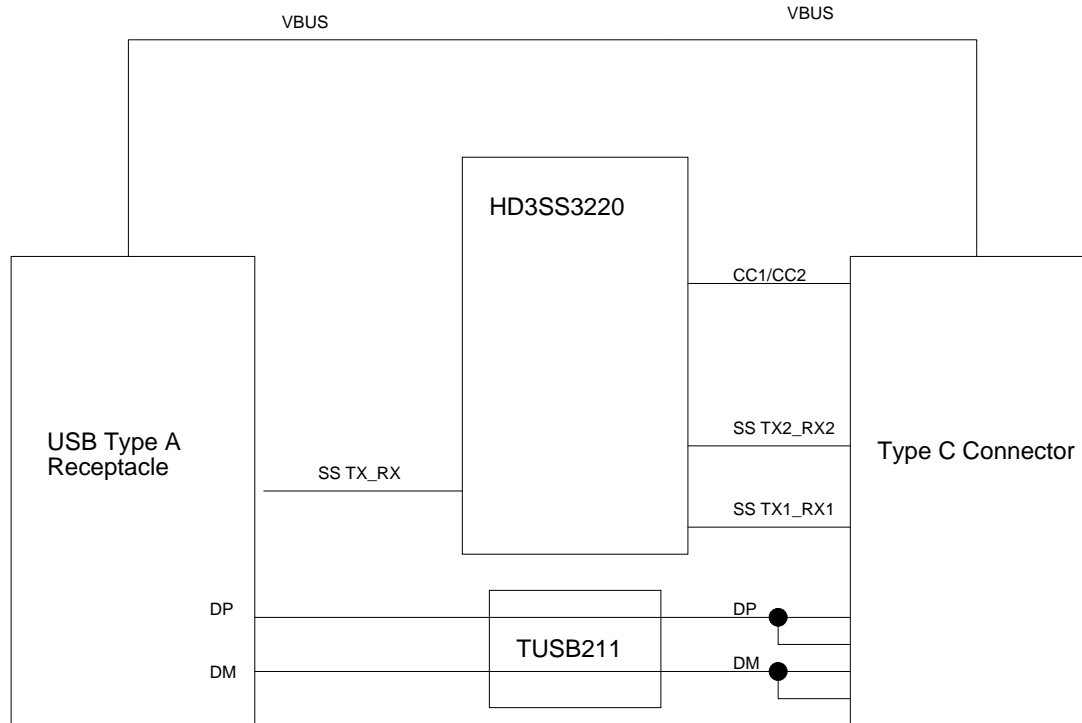
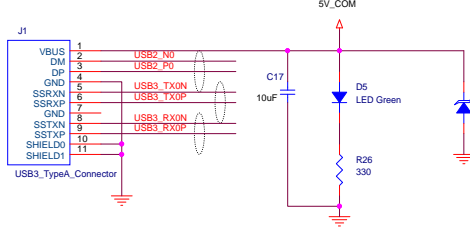


3220UFP-DGLEVM INT027

REVA



USB Legacy Device Connection

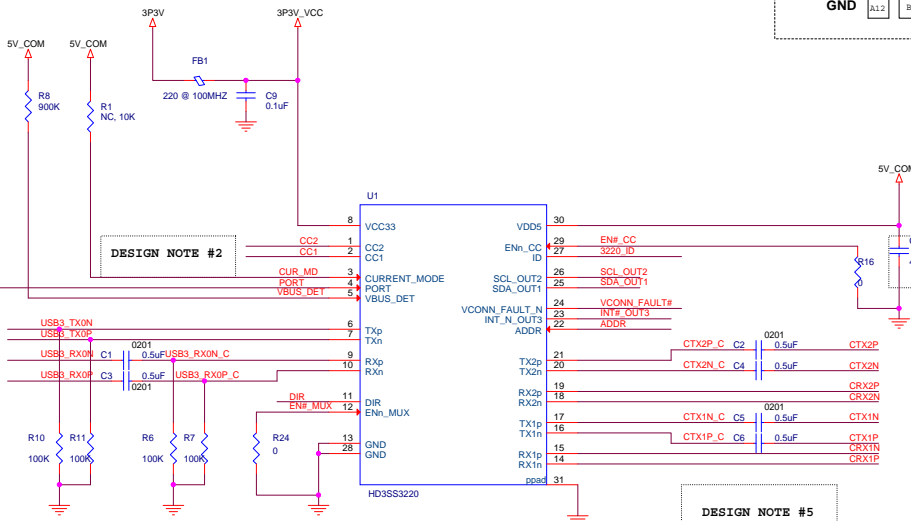
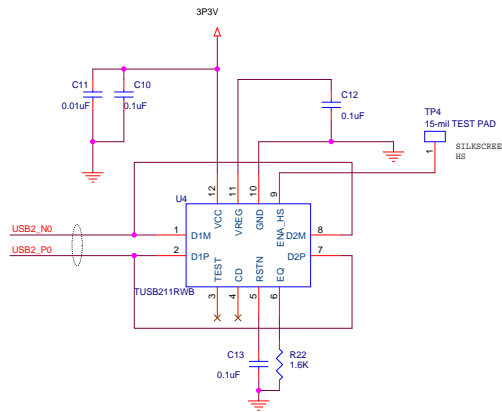
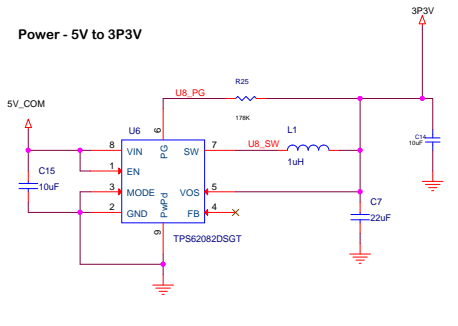


DESIGN NOTES

1. Install only if active discharge circuit exists.
2. CUR_MD valid only in DFP mode.
3. Bulk cap for VCONN between 10uF to 220uF
4. C1, C3, R10, R11, R6 and R7 are placed for interoperability purposes with USB Vcm above 2V.
5. C2, C4, C5 and C6 are placed for interoperability purposes with USB Vcm above 2V
6. ALL DIFF PAIRS ARE ROUTED 85 TO 90 OHMS DIFFERENTIAL AND 50 OHMS COMMON MODE. ALL OTHER TRACES ARE 50 OHM.

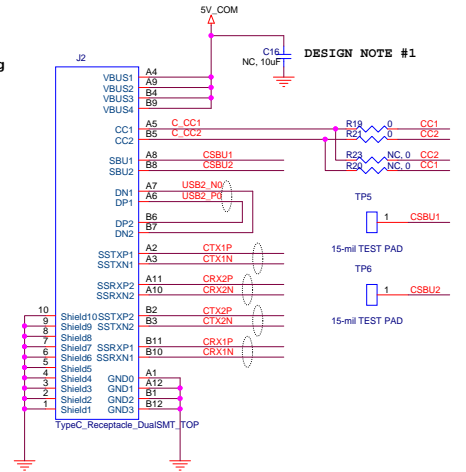
NOTE: ALL DIFF PAIRS ARE ROUTED 85 TO 90 OHMS DIFFERENTIAL AND 50 OHMS COMMON MODE. ALL OTHER TRACES ARE 50 OHM.

Power - 5V to 3P3V

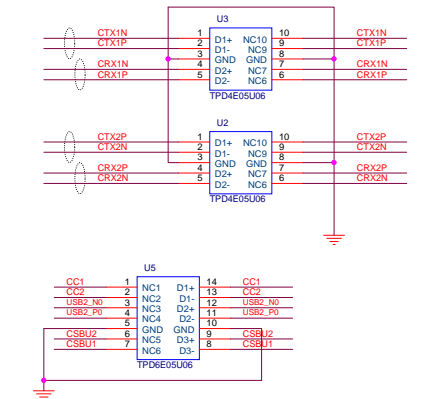


TypeC Connector Pin Mapping

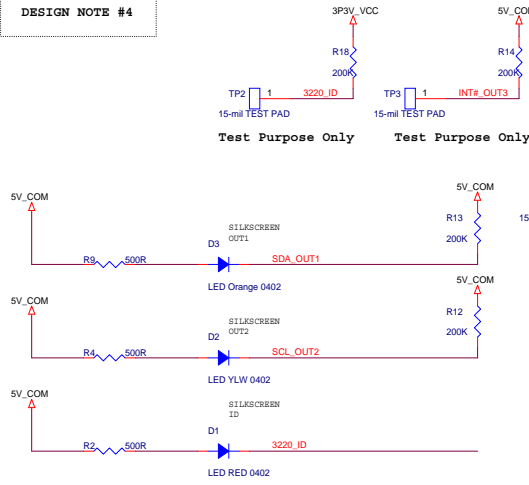
GND	A1	B12	GND
SS1XP1	A2	B11	SSRX1P1
SS1XP2	A3	B10	SSRX1P2
SS1XN1	A4	B9	SSRX1N1
SS1XN2	A5	B8	SSRX1N2
VBUS	A6	B7	VBUS
CC1	A7	B6	CC2
DP1	A8	B5	DN2
DN1	A9	B4	DP2
SBU1	A10	B3	CC2
VBUS	A11	B2	VBUS
SSRXN2	A12	B1	SS1XN2
SSRXN1	A13	B1	SS1XP2
SSRX1P2	A14	B1	SS1XP1
SSRX1P1	A15	B1	GND



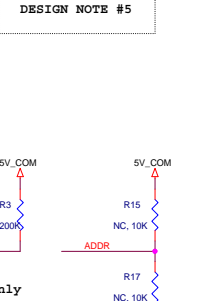
ESD Components



DESIGN NOTE #4



DESIGN NOTE #5



DESIGN NOTE #6

TEXAS INSTRUMENTS

3220UFP-DGLEVM INT027: TUSB3220

SIZE C	DWG NO:
SCALE: NONE	Thursday, November 26, 2015 Sheet 2 of 3